



Expanding Your Solutions

Corporate Headquarters
 13191 Crossroads Parkway North, Suite 325
 City of Industry, CA 91746
 Phone: 800.775.2362
 Fax: 626.330.7598

Manufacturing Facilities
 City of Industry, CA
 Denver, CO
 Ft. Worth, TX
 Pittsburg, CA

Structural Engineering/Design
 1001-A Pittsburgh Antioch Hwy
 Pittsburg, CA 94565
 Phone: 800.775.2362
 Fax: 626.330.7598

Technical Services
 263 North Covina Lane
 City of Industry, CA 91744
 Phone: 800.416.2278
 Fax: 626.249.5005

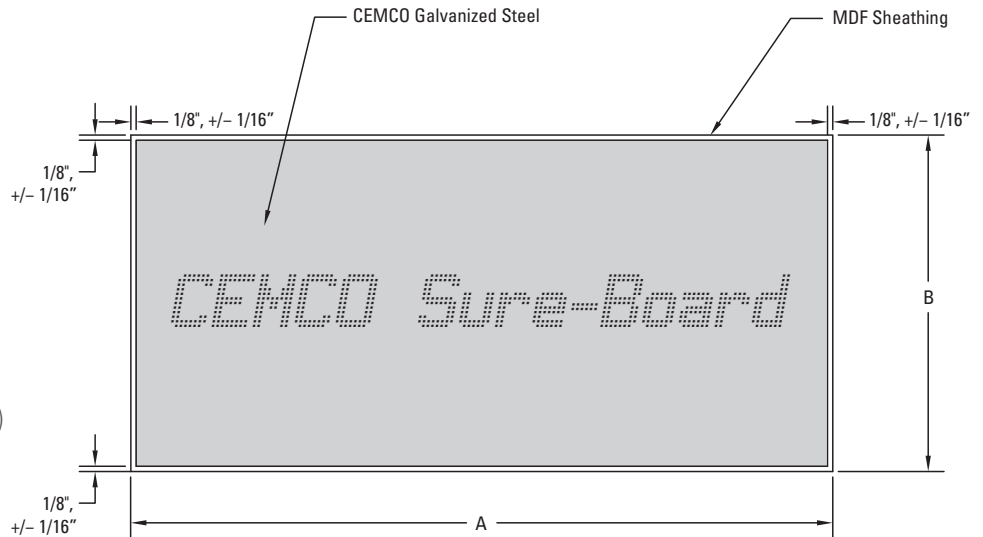
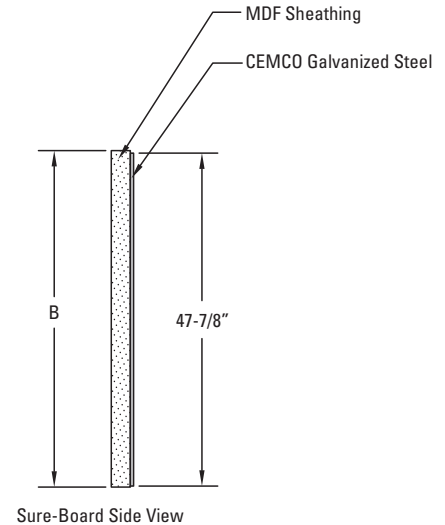
SURE-BOARD SERIES 200W

Geometric Properties

Sure-Board®W for Steel framing and Series 200W for Wood Framing are a steel sheet and medium density fiber board composite product that are installed on steel or wood framed shear walls at points requiring shear.

Steel Thickness

Length A (ft.)	Width B (ft.)	Sheathing Thickness (in.)	Steel Thickness Gauge (mil.)
8, 9, 10, & 12	48	1/8	22 (27)



ASTM & Code Standards:

- ASTM A653/653M, A924/924M & A1003/1003M (Steel)
- ASTM C1325 (Cement Board)
- 2012, 2015 IBC
- 2012, 2015 IRC
- 2010/2013 CBC
- IAPMO ER-126
- DSA Approved IR A-5

CEMCO cold-formed steel framing products recycled steel:

- Total Recycled Content: 36.9%
- Post-Consumer: 19.8%
- Pre-Consumer: 14.4%

LEED v3 for Building and Design Construction:

- MR Credit 2: Construction Waste Management.
- MR Credit 4: Recycled Content.

LEED v4 for Building and Design Construction:

- MR Prerequisite: Construction and Demolition Waste Management Planning.
- MR Credit: Construction and Demolition Waste Management.
- MR Credit: Building Product Disclosure and Optimization – Sourcing of Raw Materials, Option 2.
- MR Credit: Building Product Disclosure and Optimization – Environmental Product Declarations, Options 1 & 2.
- MR Credit: Building Product Disclosure and Optimization – Material Ingredients, Option 1.
- MR Credit: Building Life-Cycle Impact Reduction, Option 4.

Technical Services

Technical Services: 800.416.2278
 Structural Engineering/Design: 925.473.9340
 www.cemcosteel.com



This technical information reflects the most current information available and supersedes any and all previous publications effective February 20, 2017.

02-20-17 AT