



Expanding Your Solutions

Corporate Headquarters
13191 Crossroads Pkwy N., Ste 325
City of Industry, CA 91746
Phone: 800.775.2362
Fax: 626.330.7598

Manufacturing Facilities
City of Industry, CA
Denver, CO
Ft. Worth, TX
Pittsburg, CA

Structural Engineering/Design
1001-A Pittsburgh Antioch Hwy
Pittsburg, CA 94565
Phone: 800.775.2362
Fax: 626.330.7598

Technical Services
13191 Crossroads Pkwy N., Ste 325
City of Industry, CA 91746
Phone: 800.416.2278
Fax: 626.249.5004

CEMCO SOUND GASKET (SOUND ABATEMENT FOR BUILDING JOINTS)

Product Description

CEMCO SOUND GASKET is a vinyl accessory that provides smoke and sound ratings for both dynamic and static joints. The unique vinyl profile provides a seal along the inside leg to prevent sound flanking along the leg of the slotted and framing screws while the outer bubble gasket will compress to seal against uneven concrete.

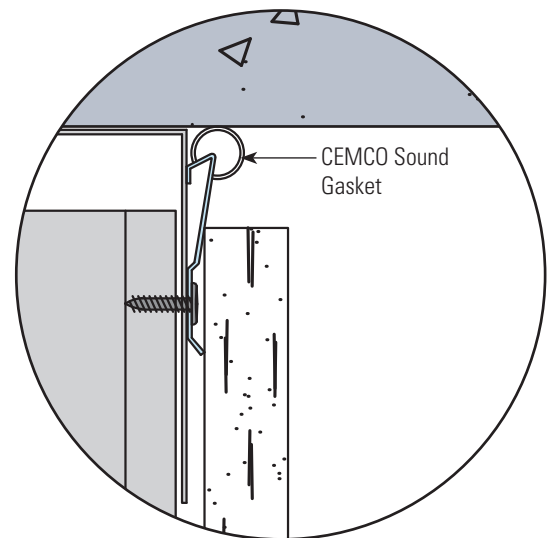
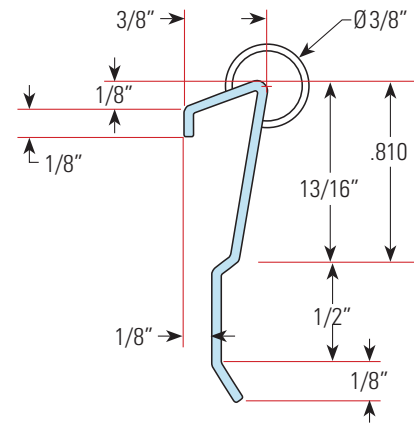
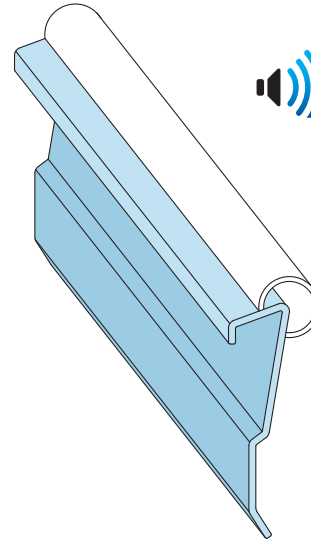
- **SOUND GASKET** is tapped into place over the leg of the track for a friction fit. There are no fasteners required for installation. Once properly installed the Sound Gasket provides an unbreakable seal, to provide long term smoke and sound protection.
- **SOUND GASKET** takes the place of acoustic sealant at building joints.
- **SOUND GASKET** can be used on head-of-wall, bottom-of-wall, and wall to wall building joints.
- **SOUND GASKET** is tested for air leakage for compliance with Section 713.6 of IBC and CBC.
- **SOUND Gasket** is manufactured in a light blue color vinyl that is easily identified by the inspector.
- **SOUND GASKET** installs fully cured and has no installation temperature or humidity restrictions.
- **SOUND GASKET** installs on both sides of the wall and comes in 10' lengths.
- **SOUND GASKET** can be installed in the field or pre-installed to the track prior to installing track in place.
- **SOUND GASKET** provides up to 3/4" overall unencumbered movement.
- **SOUND GASKET** is very durable and is not easily damaged, once installed it will not delaminate, it will not take in water, and it will not shrink or harden over time.
- **SOUND GASKET** provides premium STC ratings.
 - STC 51 on 3-5/8" 20 EQ studs unbalanced walls.
 - STC 55 on 3-5/8" 20 EQ studs balanced walls.

Packaging

- 10'-0" lengths; 20 pieces per box; 30 boxes per pallet.
- When properly stored indoors, and in original packaging **SOUND GASKET** will not breakdown and has no expiration date.

ASTM & Code Standards

- Sound Tested in accordance with ASTM E90-09
- Air leakage tests conducted for compliance with Section 713.6 of IBC and CBC.
- **U.S. Patent No. 10,246,871**



Technical Services

Technical Services: 800.416.2278
Structural Engineering/Design: 925.473.9340
www.cemcosteel.com



This technical information reflects the most current information available and supersedes any and all previous publications effective July 8, 2019.

07-08-19 AT