

SSB Bypass Framing Slide-Clip Strut Connector

The SSB bypass framing slide clip is a versatile strut connector that is commonly used at the bottom of a steel beam to accommodate large stand-off conditions.

FEATURES:

- Provides a full 1" of both upward and downward movement
- Anchor holes are positioned along the entire length of the part, and slots are located at each end so that lefts and rights are not required
- Embossments and stiffeners increase axial strength
- The precision-manufactured shouldered screws provided with the SSB connector are designed to prevent overdriving and to ensure the clip functions properly
- Simpson Strong-Tie® "No-Equal" stamps mark the center of the slots to help ensure correct shouldered-screw placement

MATERIAL: 54 mil (16 ga.)

FINISH: Galvanized (G90)

INSTALLATION:

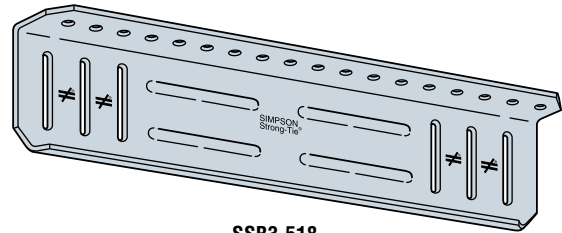
- Use the specified type and number of anchors.
- Use the specified number of #14 shouldered screws (included). Install shouldered screws in the slots adjacent to the "No-Equal" stamp.
- Use a maximum of 1 screw per slot.

CODES: IAPMO ES ER-238

Ordering Information:

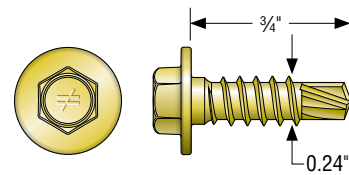
SSB3.518-KT contain:

- Box of 25 connectors
- 83 shouldered screws

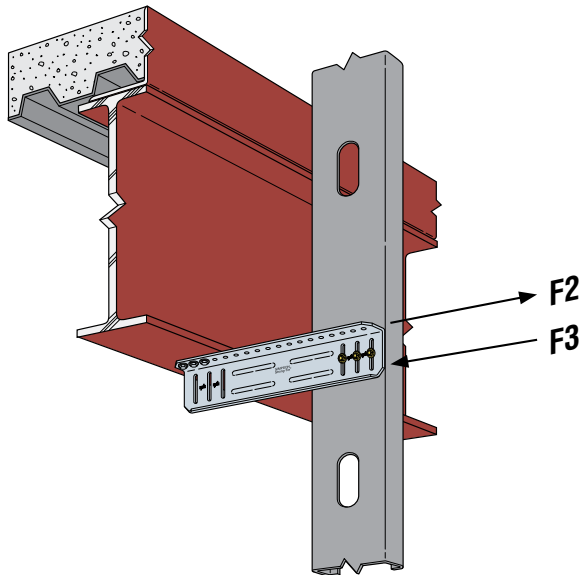


SSB3.518

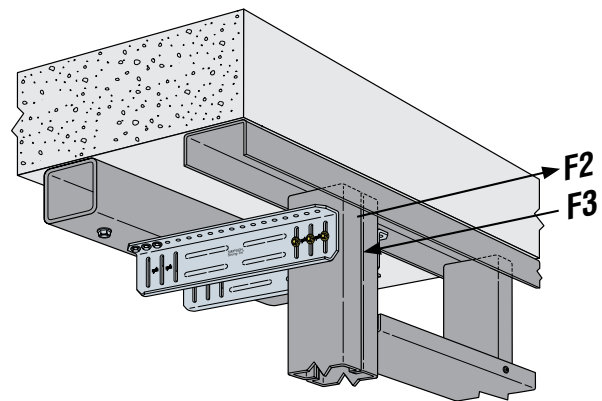
U.S. Patent Pending



#14 Shouldered Screw



Typical SSB3.518 Installation

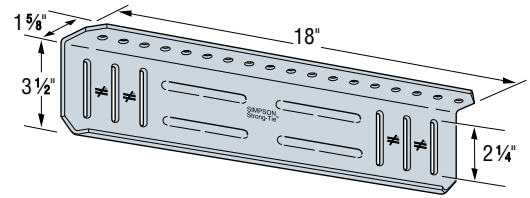


SSB3.518 Installation to Reinforce a Window/Door Jamb with Slip Track

SSB Bypass Framing Slide-Clip Strut Connector

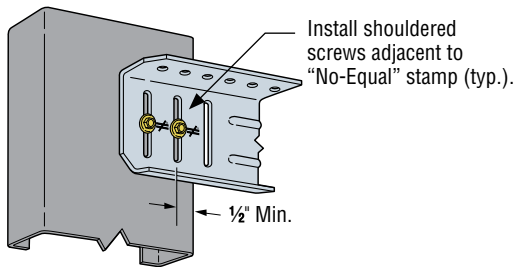
SSB Allowable Connector Loads (lbs.)

Model No.	Connector Material Thickness mil (ga.)	No. of #14 Shouldered Screws	Stud Thickness					
			33 mil (20 ga.)		43 mil (18 ga.)		54 mil (16 ga.)	
			F2	F3	F2	F3	F2	F3
SSB3.518	54 (16)	2 ²	520	520	690	690	1075	960
		3	815	815	1030	1080	1335	1225

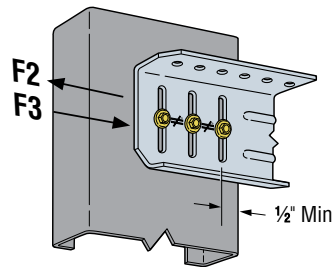


SSB

- For additional important information, see General Notes for Allowable Connector Load Tables on page 3.
- When the SSB connector is used with 2 shouldered screws, the screws may be installed in any 2 slots.
- Allowable loads are based on clips installed with (3) #12-14 screws in the anchor leg. For other anchorage installations, the capacity of the connection system will be the minimum of the tabulated value and the allowable load from the SSB Allowable Anchorage Loads table below.



SSB Installation with 2 Shouldered Screws

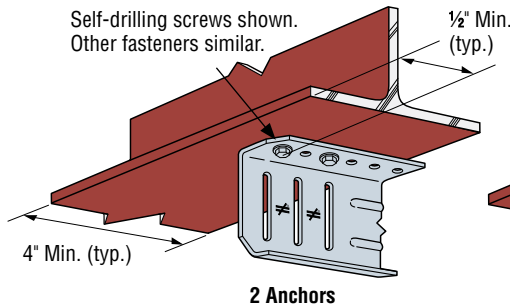


SSB Installation with 3 Shouldered Screws

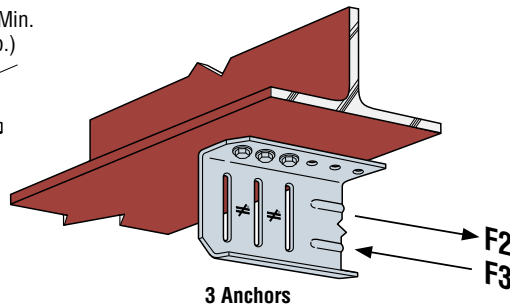
SSB Allowable Anchorage Loads (lbs.)

Anchorage Type	No. of Anchors	Allowable Loads F2 and F3
#12-14 Self-Drilling Screws	2	1250
	3	1335
Simpson Strong-Tie® 0.145" PDPT or 0.157" PDPAT Powder-Actuated Fasteners	2	1320
	3	1335
Welded	Hard side: 2" Free side: 1"	1335

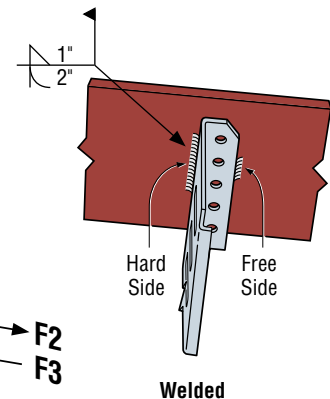
- For additional important information, see General Notes for Allowable Anchorage Load Tables on page 3.
- Allowable loads are for clip anchorage only. The capacity of the connection system will be the minimum of the tabulated value and the allowable load from the SSB Allowable Connector Loads table above.



2 Anchors



3 Anchors



Welded

SSB Anchor Layout