



Expanding Your Solutions

Corporate Headquarters
13191 Crossroads Pkwy N., Ste 325
City of Industry, CA 91746
Phone: 800.775.2362
Fax: 626.330.7598

Manufacturing Facilities
City of Industry, CA
Denver, CO
Ft. Worth, TX
Pittsburg, CA

Structural Engineering/Design
1001-A Pittsburgh Antioch Hwy
Pittsburg, CA 94565
Phone: 800.775.2362
Fax: 626.330.7598

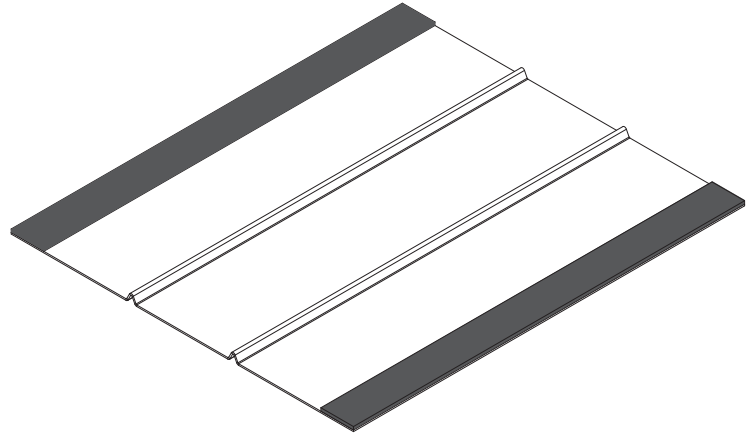
Technical Services
13191 Crossroads Pkwy N., Ste 325
City of Industry, CA 91746
Phone: 800.416.2278
Fax: 626.249.5004

FAS STRAP (FIRESTOP FOR FLUTED DECKING)

Description

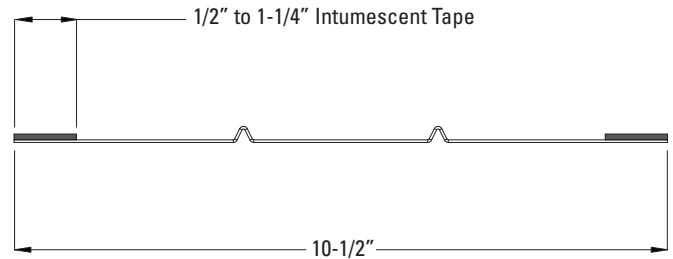
CEMCO FAS Strap is a flat strap with 2 strips of 1/2" to 1-1/4" intumescent. FAS Strap is installed continuous and parallel with the flutes and provides firestopping within the flute void while eliminating mineral wool and providing continuous backing for wall framing. This strap is fabricated from hot-dipped galvanized steel complying with ASTM A653, and ASTM A1003 Grade 33 Type H for 33 ksi yield strength steel for 20 gauge (33 mils) with a minimum G40 coating complying with ASTM A924, with a minimum G60 coating complying with ASTM A924; and Grade 50 Type H for 50 ksi yield strength steel for 16 gauge (54 mils) with a minimum G60 coating complying with ASTM A924. The FAS STRAP is listed under Underwriters Laboratories for one and two hour head of wall fire rated wall assemblies.

Member Width (in.)	Length (ft.)	Steel Thickness mil (gauge)
10-1/2	10	33, 54 (20, 16)



ASTM's & Code Standards

- ASTM A653, C645, A1003, A924
- ASTM E 1966: Standard Test Method of Fire Tests of Firestop Systems
- UL 2079 Tests For Fire Resistance of Building Joints
- ASTM E-119 Standard Test Methods for Fire Tests of Building Construction and Material
- ICC ES 2012
- Air leakage tests conducted for compliance with Section 713.6 of ICC-ES 2012
- IBC: 2012, 2015, 2018
- CBC: 2013, 2016
- AISI: S100-07, S100-12, S100-16, S220-11, S220-15
- **U.S. Patent No. 10,214,901**

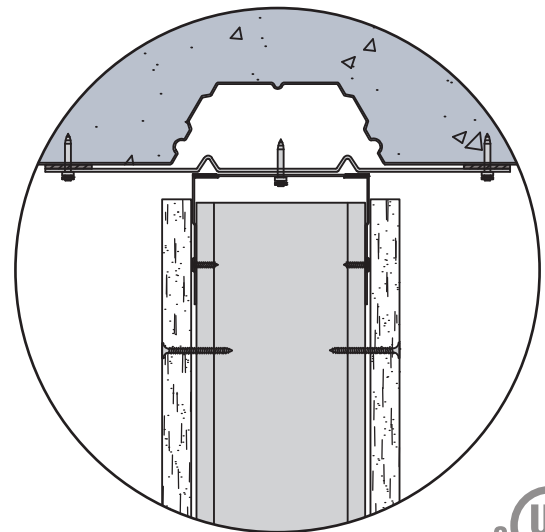


LEED v4 for Building and Design Construction

- MR Prerequisite: Construction and Demolition Waste Management Planning.
- MR Credit: Construction and Demolition Waste Management.
- MR Credit: Building Product Disclosure and Optimization – Sourcing of Raw Materials, Option 2.
- MR Credit: Building Product Disclosure and Optimization – Environmental Product Declarations, Options 1 & 2.
- MR Credit: Building Product Disclosure and Optimization – Material Ingredients, Option 1.
- MR Credit: Building Life-Cycle Impact Reduction, Option 4.

CEMCO cold-formed steel framing products contain 30% to 37% recycled steel.

- Total Recycled Content: 36.9%
- Post-Consumer: 19.8%
- Pre-Consumer: 14.4%



Technical Services

Technical Services: 800.416.2278
Structural Engineering/Design: 925.473.9340
www.cemcosteel.com



This technical information reflects the most current information available and supersedes any and all previous publications effective February 12, 2019.

02-12-19 AT