



Expanding Your Solutions

800.775.2362 | www.cemcosteel.com

Structural Engineering/Design: 925.473.9340

Technical Services: 800.416.2278

CEMCO FireRip®-Strap (DYNAMIC JOINT PROTECTION)

Product Description

CEMCO FireRip®-Strap is utilized in shaft wall assemblies where fire ratings are required to span over structural components such as concrete slab edges or structural beams and columns.

- Composite drywall rip incased in 30mil steel on three sides.
- Combines the framing and the drywall into single step fire-rated framing accessory.
- Provides one- and two-hour fire-rating from the single layer profile.
- UL certified per UL-2079 5th edition.
- When properly stored indoors, in original packaging FireRip-Strap will not breakdown and has no expiration date.



Ordering / Packaging

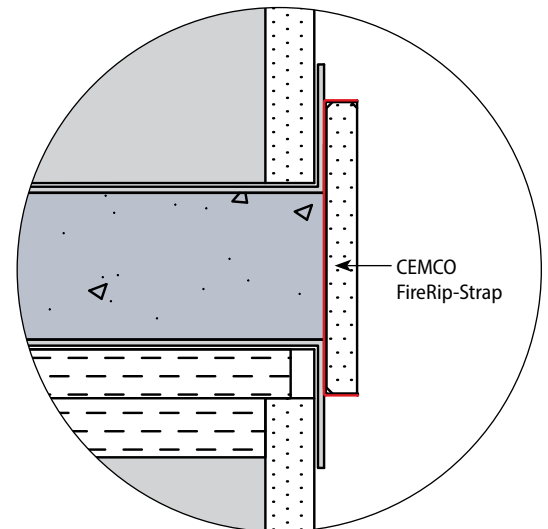
Description	Part #	Size	Length	Pcs/Ctn	Submitted for Review/Use	✓
FireRip-Strap 6"	FR-S6	6" x 0.625" x 8'	8'-0"	4	FR-S6	
FireRip-Strap 10"	FR-S10	10" x 0.625" x 8'	8'-0"	4	FR-S10	

Storage / Warranty

- When stored indoors and kept dry in its original package and condition, FireRip-Strap has an unlimited shelf life.
- 25 Year Limited Warranty – see CEMCO Standard Fire, Smoke & Acoustic Product Warranty for details.

ASTM & Code Standards

- ASTM E1966
- UL 2079 5th Edition
- UL ER25033
- L-Rating (air leakage) testing for compliance with International Building Code (IBC) and Canadian Building Code (CBC).
- Patent Pending



Please refer to www.cemcosteel.com for [UL Fire Rated Assemblies](#) and [Sound Test Reports](#).



This technical information reflects the most current information available and supersedes any and all previous publications effective November 15, 2024.

11-15-24 AT



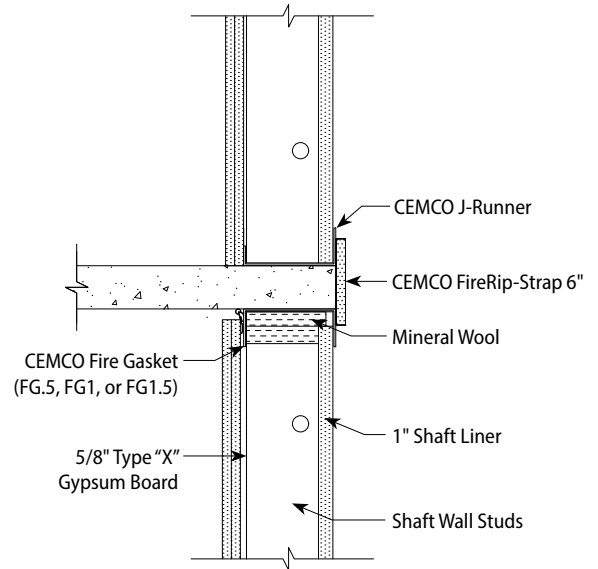
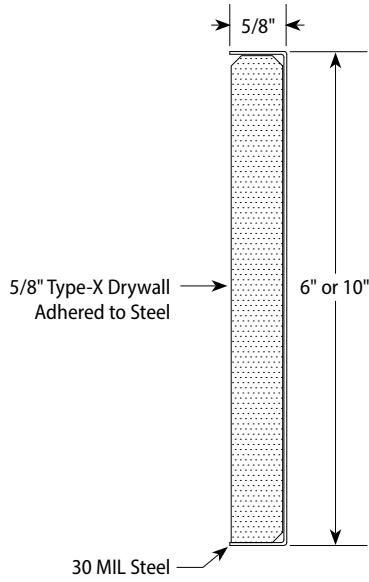
Expanding Your Solutions

800.775.2362 | www.cemcosteel.com

Structural Engineering/Design: 925.473.9340

Technical Services: 800.416.2278

CEMCO FireRip®-Strap (DYNAMIC JOINT PROTECTION)



Please refer to www.cemcosteel.com for [UL Fire Rated Assemblies](#) and [Sound Test Reports](#).



This technical information reflects the most current information available and supersedes any and all previous publications effective November 15, 2024.

11-15-24 AT