



Expanding Your Solutions

Corporate Headquarters
13191 Crossroads Pkwy N., Ste 325
City of Industry, CA 91746
Phone: 800.775.2362
Fax: 626.330.7598

Manufacturing Facilities
City of Industry, CA
Commerce City, CO
Ft. Worth, TX
Pittsburg, CA

Structural Engineering/Design
1001-A Pittsburgh Antioch Hwy
Pittsburg, CA 94565
Phone: 800.775.2362
Fax: 626.330.7598

Technical Services
13191 Crossroads Pkwy N., Ste 325
City of Industry, CA 91746
Phone: 800.416.2278
Fax: 626.249.5004

"JR" – J-RUNNER, 33 Mil

Geometric Properties

"JR" J-Runners are fabricated in web depths of 2-1/2", 4", and 6" with a short leg of 1", and a long leg of 2". All J-Runners manufactured by CEMCO are produced from hot-dipped galvanized steel in standard G40 coating. G60 is available upon special request.

Steel Thickness

Member Depth (A) (in)	Thickness (mil)	Design Thickness (in) ¹	Minimum Thickness (in) ^{1,2}
2-1/2, 4, 6	33	0.0346 (88 mm)	0.0329 (84 mm)

Notes:

1. Uncoated Steel Thickness. Thickness is for carbon sheet steel.
2. Minimum Thickness represents 95% of the design thickness and is the minimum acceptable thickness delivered to the job site, based on AISI S100.

Color Code (painted on ends):

33-mil: White

ASTM & Code Standards:

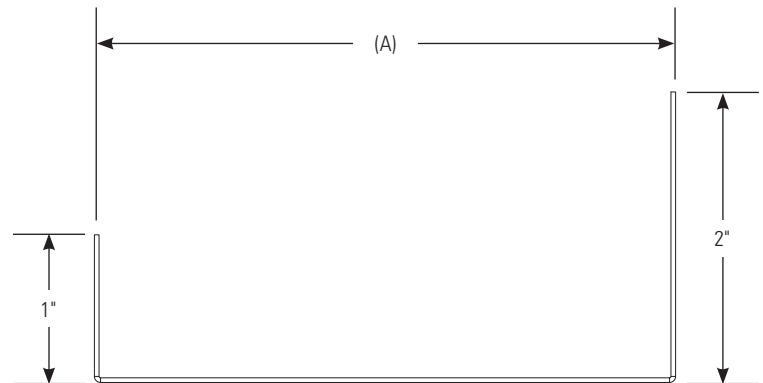
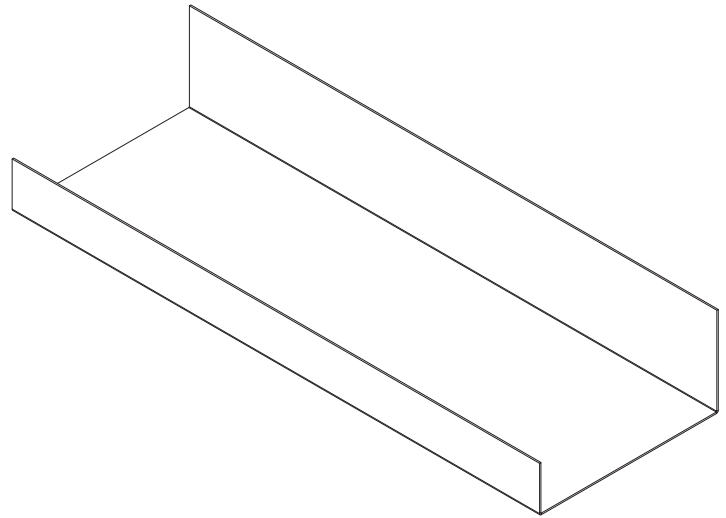
- ASTM A653/A653M, A924/A924M, A1003/A1003M, C645, C754
- ICC-ES ESR 4934
- IBC: 2015, 2018, 2021, 2024
- IRC: 2015, 2018, 2021
- AISI: S100, S220

LEED v4 for Building and Design Construction

- MR Prerequisite: Construction and Demolition Waste Management Planning.
- MR Credit: Construction and Demolition Waste Management.
- MR Credit: Building Product Disclosure and Optimization – Sourcing of Raw Materials, Option 2.
- MR Credit: Building Product Disclosure and Optimization – Environmental Product Declarations, Options 1 & 2.
- MR Credit: Building Product Disclosure and Optimization – Material Ingredients, Option 1.
- MR Credit: Building Life-Cycle Impact Reduction, Option 4.

CEMCO cold-formed steel framing products contain 30% to 37% recycled steel.

- Total Recycled Content: 36.9%
- Post-Consumer: 19.8%
- Pre-Consumer: 14.4%



Technical Services

Technical Services: 800.416.2278
Structural Engineering/Design: 925.473.9340
www.cemcosteel.com



This technical information reflects the most current information available and supersedes any and all previous publications effective November 19, 2025.

11-19-25 AT