



Expanding Your Solutions

**Corporate Headquarters**  
13191 Crossroads Pkwy N., Ste 325  
City of Industry, CA 91746  
Phone: 800.775.2362  
Fax: 626.330.7598

**Manufacturing Facilities**  
City of Industry, CA  
Commerce City, CO  
Ft. Worth, TX  
Pittsburg, CA

**Structural Engineering/Design**  
1001-A Pittsburgh Antioch Hwy  
Pittsburg, CA 94565  
Phone: 800.775.2362  
Fax: 626.330.7598

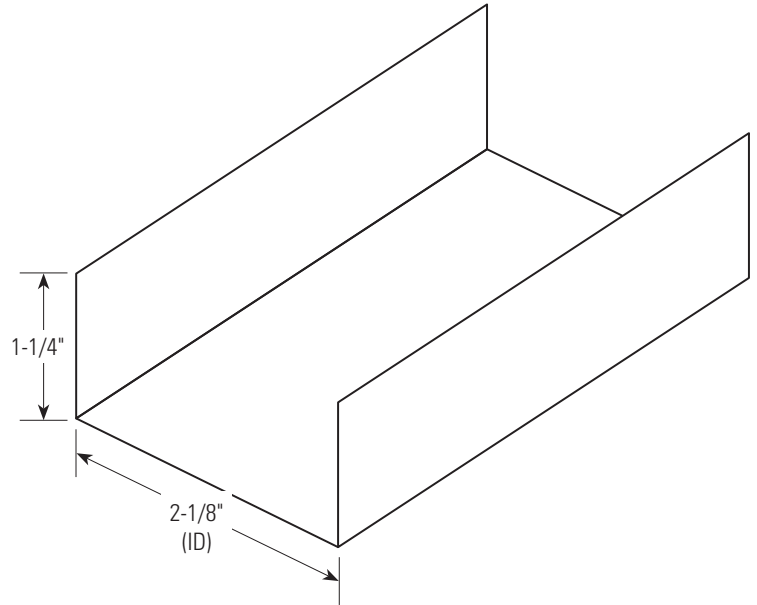
**Technical Services**  
13191 Crossroads Pkwy N., Ste 325  
City of Industry, CA 91746  
Phone: 800.416.2278  
Fax: 626.249.5004

# C-RUNNER

## Description

C-Runner members are used for solid area separation walls. The members are fabricated from hot-dipped galvanized steel complying with ASTM A653, with a minimum G40 coating. The framing members comply with ASTM C645. Fire and sound rated assemblies listed under the code and Gypsum Association Fire Resistance Design Manual.

Stud Member Width (ID) in	Length (ft)	Gauge (mils)
2-1/8"	10	25 & 20 (18 & 33)



## ASTM & Code Standards

- ASTM A653/A653M, A924/A924M, A1003/A1003, C645 & C754
- IBC: 2015, 2018, 2021
- CBC: 2013, 2016, 2019
- AISI: S100, S220

## LEED v4 for Building and Design Construction

By using CEMCO steel framing/metal lath products, your project can contribute to earning LEED points for:

- LEED Credit MR 4.1/4.2 – Recycled Content Requirements (applies for all projects).
- LEED Credit MR 5.1/5.2 Requirements (applies for all projects).

## CEMCO cold-formed steel framing products contain 30% to 37% recycled steel

- Total Recycled Content: 36.9%
- Post-Consumer: 19.8%
- Pre-Consumer: 14.4%

## Technical Services

Technical Services: 800.416.2278  
Structural Engineering/Design: 925.473.9340  
www.cemcosteel.com



This technical information reflects the most current information available and supersedes any and all previous publications effective December 31, 2025.