



US007681365C1

(12) **EX PARTE REEXAMINATION CERTIFICATE** (12880th)

**United States Patent**  
**Klein**

(10) **Number:** **US 7,681,365 C1**  
(45) **Certificate Issued:** **Mar. 28, 2025**

(54) **HEAD-OF-FIREBLOCK SYSTEMS AND RELATED WALL ASSEMBLIES**

(58) **Field of Classification Search**  
None  
See application file for complete search history.

(75) **Inventor:** James Alan Klein, Bellevue, WA (US)

(56) **References Cited**

(73) **Assignee:** CEMCO, LLC

To view the complete listing of prior art documents cited during the proceeding for Reexamination Control Number 90/015,319, please refer to the USPTO's Patent Electronic System.

**Reexamination Request:**  
No. 90/015,319, Oct. 24, 2023

*Primary Examiner* — Peter C English

**Reexamination Certificate for:**  
Patent No.: **7,681,365**  
Issued: **Mar. 23, 2010**  
Appl. No.: **12/098,274**  
Filed: **Apr. 4, 2008**

(57) **ABSTRACT**

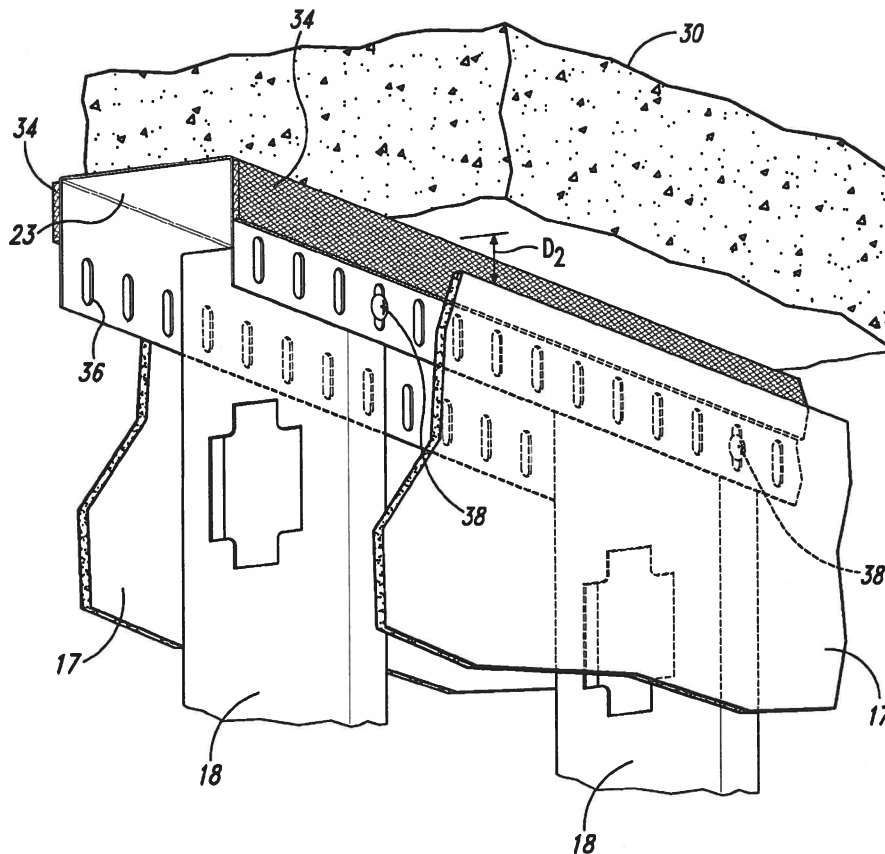
**Related U.S. Application Data**

The invention disclosed herein is directed to a fire retardant head-of-wall assembly configured to seal a linear head-of-wall construction joint or gap when exposed to a heat source such as a building fire. The inventive fire retardant head-of-wall assembly comprises a header track having an elongated intumescent strip affixed lengthwise on at least one of the outer sidewall surfaces of the header track. When exposed to a heat source such as a building fire, the intumescent strip is able to expand so as to at least partially fill the head-of-wall construction joint or gap; and in so doing, retard or prevent the spread of smoke and fire. The inventive fire retardant head-of-wall assembly has been certified as compliant with respect to Underwriters Laboratories, Inc.'s standards set forth in its Tests for Fire Resistance of Building Joint Systems-UL 2079.

(60) Provisional application No. 60/997,521, filed on Oct. 4, 2007, provisional application No. 61/007,439, filed on Dec. 13, 2007.

(51) **Int. Cl.**  
*E04B 2/76* (2006.01)  
*E04B 2/74* (2006.01)  
*E04B 2/82* (2006.01)

(52) **U.S. Cl.**  
CPC ..... *E04B 2/7411* (2013.01); *E04B 2/7457* (2013.01); *E04B 2/768* (2013.01)



**EX PARTE  
REEXAMINATION CERTIFICATE**

NO AMENDMENTS HAVE BEEN MADE TO 5  
THE PATENT

AS A RESULT OF REEXAMINATION, IT HAS BEEN  
DETERMINED THAT:

The patentability of claims **1-13** is confirmed. 10

\* \* \* \* \*