



Expanding Your Solutions

800.775.2362 | www.cemcosteel.com

Structural Engineering/Design: 925.473.9340

Technical Services: 800.416.2278

HOTROD® BW COMPRESSIBLE FIRESTOP

Product Description

CEMCO HOTROD BW is a compressible foam tested to UL 2079. It provides 1 & 2 hour bottom of wall joint firestop solutions for standard wall assemblies.



- ☛ Installed on leg of bottom track after gypsum board is attached to studs.
- ☛ Remains flexible.
- ☛ Provides fire, thermal (F & T) & leakage (L) ratings.
- ☛ L-rating of below 1 CFM.
- ☛ Installs fully cured, unaffected by water/moisture/temperature.
- ☛ Red in color with vertical markings for easy identification during inspection process.
- ☛ Installs flush to face of gypsum board eliminating roll under of rubber base boards.
- ☛ Available in profiles for 1 & 2 hour wall assemblies.
- ☛ Provides Sound Transmission Classification (STC) ratings up to 56.
- ☛ Not for use in applications with permanent exposure to direct sunlight.

Ordering / Packaging

Description	Part #		Size	Length	Pcs/Ctn		Submitted for Review/Use	✓
	*Old	New			*Old	New		
HOTROD BW 1HR	*HOTRODBW121	HOTRODBW121-340	1/2" x 1"	5'	80	68	HOTRODBW121-340	
HOTROD BW 2HR	HOTRODBW11	HOTRODBW11	1" x 1"	5'	40	40	HOTRODBW11	

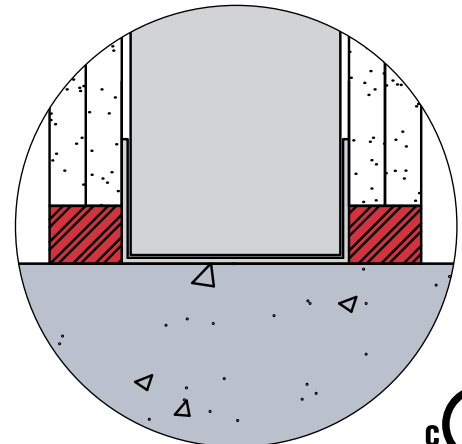
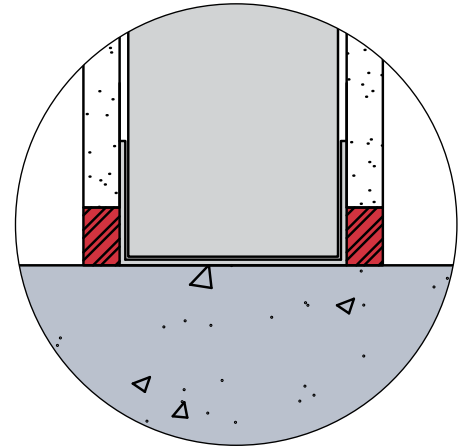
* ITEMS WITH ASTERISK ARE OLD PACKAGING WITH LIMITED AVAILABILITY. ONCE OLD PACKAGING IS DEPLETED, NEW PACKAGING WILL BE AUTOMATICALLY SENT.

Storage / Warranty

- ☛ When stored indoors and kept dry in its original package and condition, HOTROD BW has an unlimited shelf life.
- ☛ 25 Year Limited Warranty – see CEMCO Standard Fire, Smoke & Acoustic Product Warranty for details.

ASTM & Code Standards

- ☛ ASTM E84
- ☛ ASTM E90
- ☛ ASTM E1966
- ☛ ASTM G21
- ☛ UL 2079 5th Edition
- ☛ UL ER25033-01
- ☛ L-Rating (air leakage) testing for compliance with International Building Code (IBC) and Canadian Building Code (CBC)
- ☛ UL listings/approvals include: BW-S-0024
- ☛ **U.S. Patent No. 12,428,836**



Please refer to www.cemcosteel.com for [UL Fire Rated Assemblies](#) and [Sound Test Reports](#).



This technical information reflects the most current information available and supersedes any and all previous publications effective November 26, 2025.

11-26-25 AT



Expanding Your Solutions

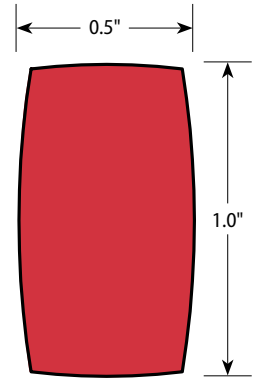
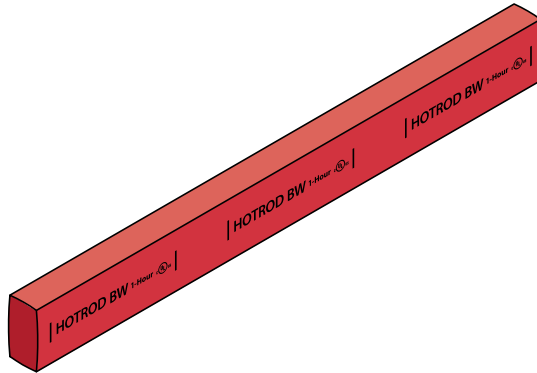
800.775.2362 | www.cemcosteel.com

Structural Engineering/Design: 925.473.9340

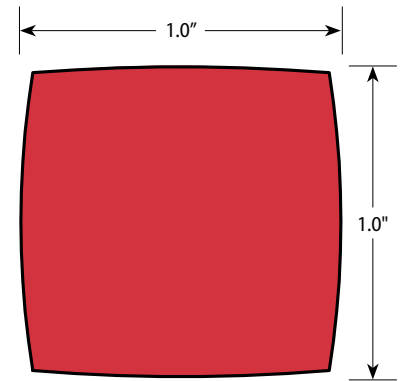
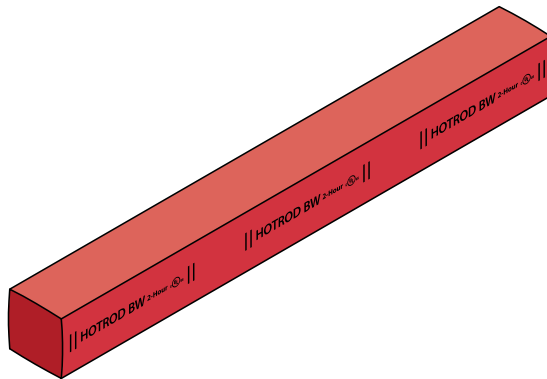
Technical Services: 800.416.2278

HOTROD® BW COMPRESSIBLE FIRESTOP

HOTRODBW121



HOTRODBW11



Marked for easy identification during inspection process



← View the installation video!

Please refer to www.cemcosteel.com for [UL Fire Rated Assemblies](#) and [Sound Test Reports](#).



This technical information reflects the most current information available and supersedes any and all previous publications effective November 26, 2025.

11-26-25 AT