

# Resilmount A237R

Direct Fix Furring Channel Resilmount Mount



## APPLICATIONS

Resilmount® A237R is an engineered, patented acoustic resilient mounting bracket for CEMCO® furring channels, for reducing sound transfer and vibration in wall and ceiling applications.

## A237R SPECIFICATIONS

**Width:** 1-3/8"  
**Height (including rubber):** 1-1/16"  
**Length:** 3-3/16"  
**Max spacing between clips:** 48" OC  
**Acoustical Design Load:** 37Lbs.  
**Thickness added to wall:** 1 5/8"

## SPECIFICATIONS

Code	Clip Height	Metal Thickness	Clip width x length	Height of rubber*
A237R	1 1/16"	0.047"	1 3/8" x 3 3/16"	3/8"

\*Height of rubber on top of clip

## PACKAGING & FIXINGS

100 pieces per carton.

Install with 18mil CEMCO 7/8" and 1-1/2" furring channels.

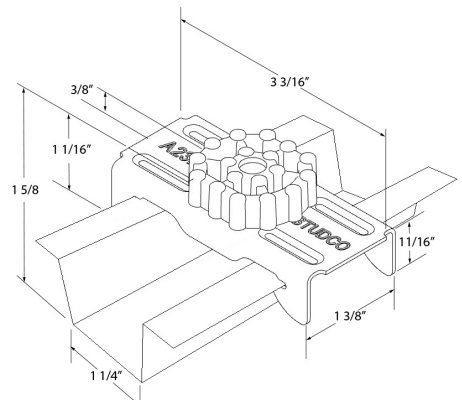
## ACCREDITATION/CERTIFICATION

Listed in over 100 UL Design Numbers and other third party tests. Sound tested in multiple acoustical laboratories. Additional fire and sound information available upon request.

Manufactured under ISO 9001 quality control system.

ASTM CODE & Standards

A653 C645 C754



For installation instructions, and fire and sound assemblies, visit [www.resilmount.com](http://www.resilmount.com).

Manufactured by Studco Building Systems®

## Technical Services

Technical Services: 800.416.2278  
 Structural Engineering/Design: 925.473.9340  
[www.cemcosteel.com](http://www.cemcosteel.com)



This technical information reflects the most current information available and supersedes any and all previous publications effective January 30, 2025.