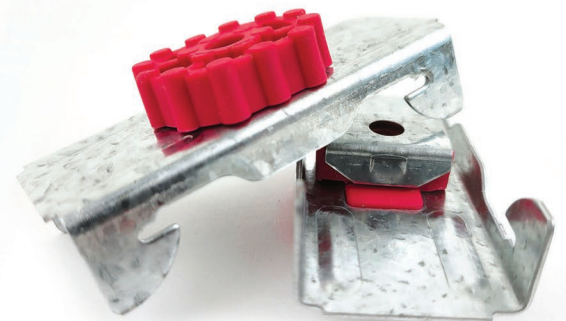




Distributed by



# SOUND ISOLATION SOLUTIONS

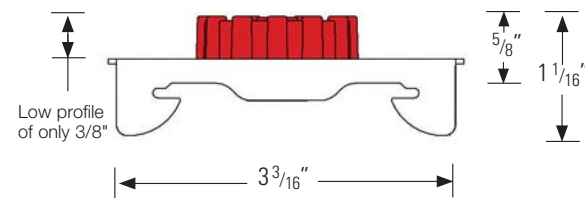
PRODUCT RANGE AND SPECIFICATIONS



Resilmount Sound Isolation Solutions are a division of Studco Building Systems, a leading manufacturer of innovative building materials. Resilmount offers a range of patented sound isolation products for the wall and ceiling industry.

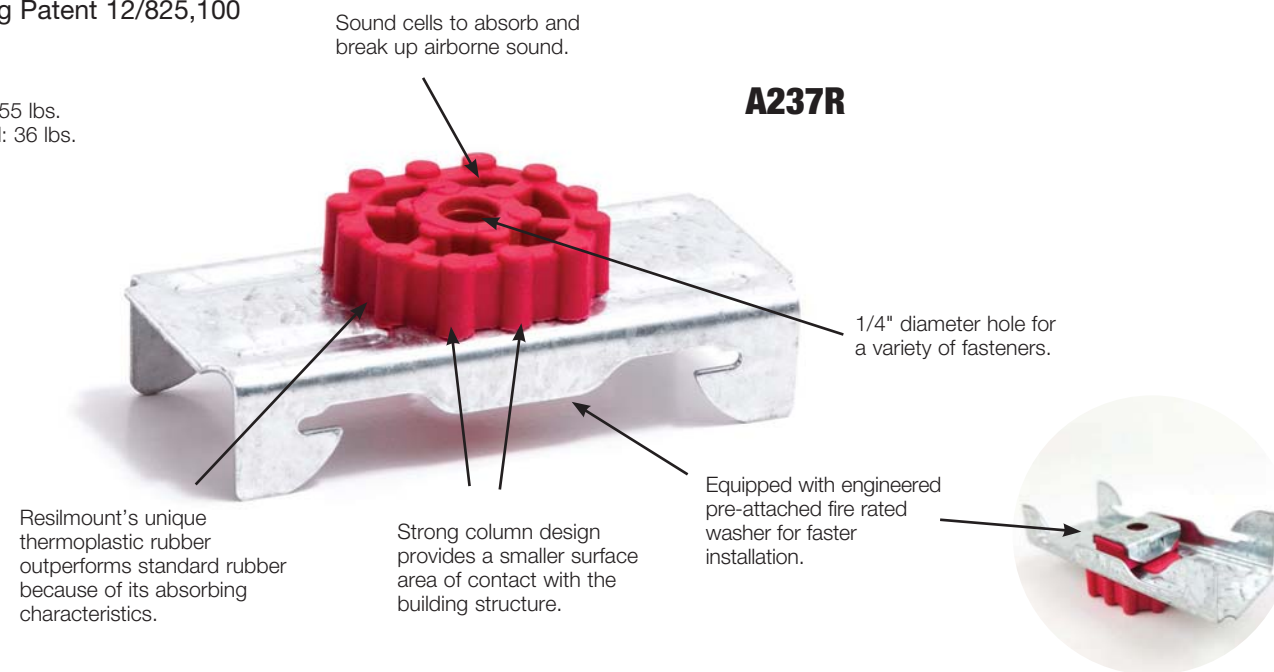
## UNIQUE PATENTED THERMOPLASTIC RUBBER WITH SOUND CELL DESIGN

Solve the problem of noise transfer in high density accommodations with Resilmount. Our Resilient mount clips provide acoustic control by locking into place on standard furring channels for easy construction and effective solutions to unwanted noise. Resilmount clips isolate wall and ceiling systems from the building structure resulting in premium acoustic control.



AU Patent 2007226819  
US Pending Patent 12/825,100

DEAD LOAD: 55 lbs.  
Acoustic Load: 36 lbs.



RES\_SIS\_022024

RES\_SIS\_022024

# WALL AND CEILING SOUND ISOLATION SOLUTIONS YOU CAN TRUST

## FIRE TESTING

With over 100 UL Ratings and other third party testing, the Resilmount A237 and A237R clip are well suited for use in high density accommodations and many more applications in sound control

These ratings enable Resilmount to be used in many fire rated acoustic applications for sound proofing walls and ceilings.

Please contact us with your project and we will assist you in choosing the right assembly.

**Type RESILMOUNT Sound Isolation Clip - Type A237R** for use in Design Nos. G501, G502, G503, G504, G505, G507, G510, G512, G524, G525, G534, G551, G552, G561, G565, G578, L502, L505, L510, L511, L513, L514, L516, L518, L521, L523, L528, L532, L534, L542, L546, L547, L550, L562, L563, L569, L570, L573, L574, L576, L577, L579, L582, L585, L587, L589, L590, L593, M501, M502, M506, M508, M509, M510, M514, M523, M531, P519, P522, P538, P545, P547, P556, P565, P571, U301, U305, U309, U311, U320, U331, U334, U340, U341, U342, U344, U356, U415, U419, U423, U440, U411, U417, U421, U451, U453, U455, U465, U473, U493, U524, U910, U914, V310, V323, V324, V438, V455, V469, V478, V481, V488, V489, V490, V496, V498, W419, W425, W440.

**Type RESILMOUNT Sound Isolation Clip - Type A237** for use in Design Nos. G501, G502, G507, G534, L513, L514, L516, L521, L523, L528, L534, L546, L550, L562, L569, L570, L574, L579, L587, L590, L593, M501, M502, M506, M508, M509, M510, M514, M531, P522, P545, P556, P565, P571, U305, U419, V310, V489, V498.



**UL & Intertek Listed**

## SOUND TESTING

Resilmount's sound isolation mounts have been tested in order to meet the required acoustic performance. A range of testing and acoustic opinions are available upon request, please contact sales@resilmount.com for further information.



Tested according to ASTM Standards

www.pka.com.au

## QUALITY ASSURANCE AND ENVIRONMENTAL POLICY



### ISO 9001 Quality Management System

The quest for optimum quality never ends at Studco. The consistency of our quality is one of the cornerstones of Studco's reputation as a reliable supplier of metal building systems. In order to achieve dependable quality in our products and service, Studco Building Systems is certified to ISO 9001 Quality Management System. This internationally recognized benchmark of quality is rigidly applied to all facets of our operations, ensuring premium quality products and premium customer service at all times. Customers can be certain of the quality of Studco's products because of the stringent controls we impose on our production processes.



### ISO 14001 EMS Certification

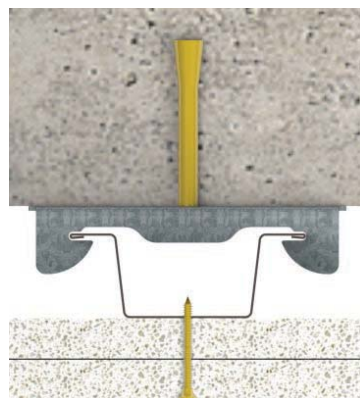
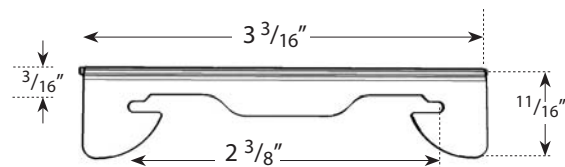
The management team at Studco have long held the view that caring for the environment is a corporate responsibility. In fact, responsibility of and caring for the environment in which we live is a Studco hallmark which is promoted at every level of our business. Our commitment to sensible environmental responsibility and corporate accountability is evident in our ongoing certification to the internationally recognized benchmark standard ISO 14001:2015 environmental management system.

## A237

### Direct Fix Furring Channel Mount

Part No#	Description
A237	Furring Channel Resilient Mount

Resilmount A237 can be used in wall and ceiling applications with Studco 7/8" & 1-1/2" furring channel.



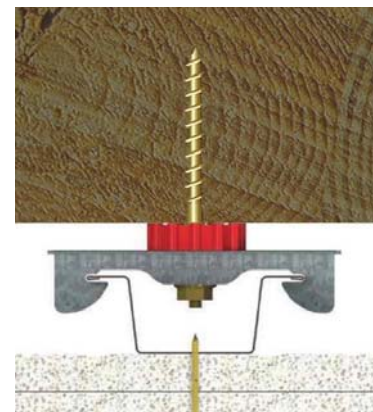
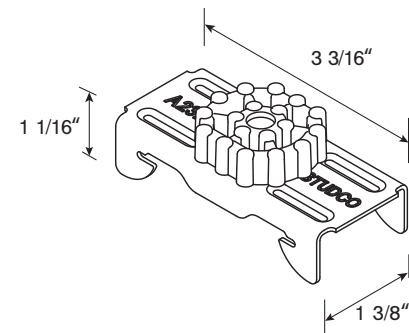
## A237R

### Direct Fix Furring Channel Resilient Mount

Part No#	Description
A237R	Furring Channel Resilient Mount - Direct Fastening

Resilmount A237R can be used in wall and ceiling application with Studco 7/8" and 1-1/2" furring channel.

**Acoustical Max Loading:** 37lbs.



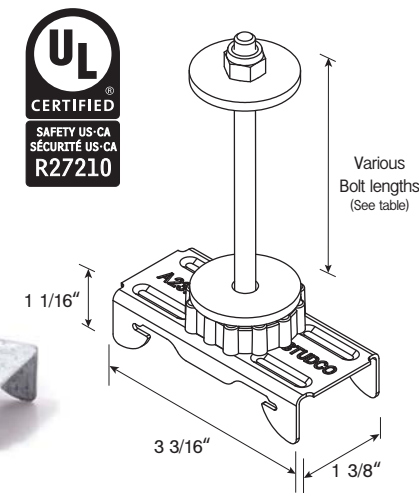
## A237BR-3,4,5

### Furring Channel To Bar Joist

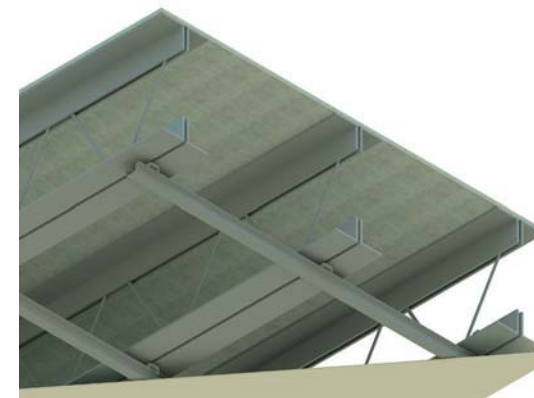
Part No#	Description
A237BR-3,4,5	Clip To Bar Joist

The Resilmount A237BR is used in steel joist applications where a dropped ceiling is needed. The A237BR clip isolates the ceiling and the floor above acoustically.

**Acoustical Max Loading:** 37lbs.



	Bolt Length	Cord
A237BR - 3	3"	1"
A237BR - 4	4"	2"
A237BR - 5	5"	3"



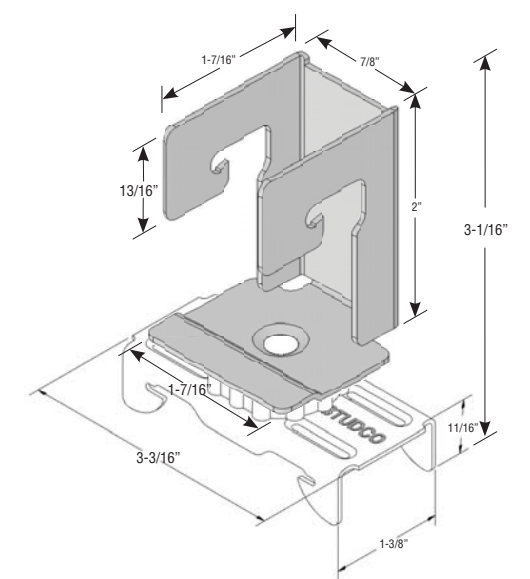
## A237CR

### Furring Channel to CRC Channel Resilient Mount

Part No#	Description
A237CR	Furring Channel to CRC Resilient Mount

The Resilmount A237CR is used to provide sound isolation between the cold rolled channel and the furring channel.

**Acoustical Max Loading:** 37lbs.



RES\_SIS\_022024

RES\_SIS\_022024

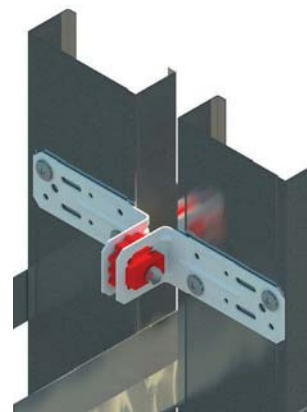
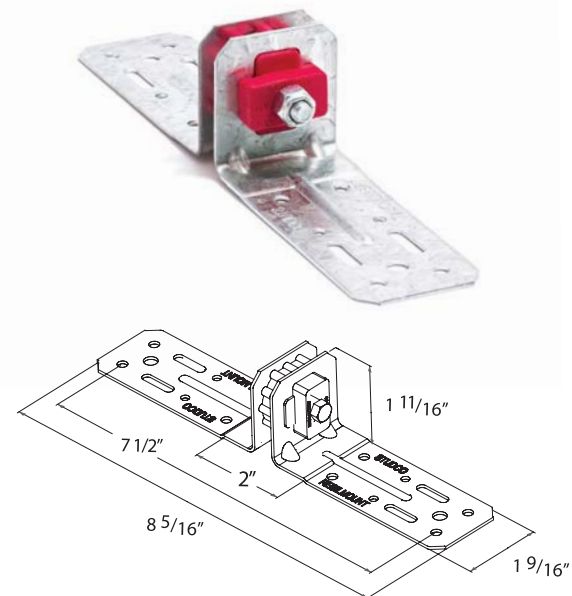
## A24R

### Resilient Joiner Bracket

Part No#	Description
A24R	Resilient Joiner Bracket #

Resilmount A24R is supplied totally assembled, with a variety of holes sizes for different fasteners depending the installation environment. The A24R bracket keeps the strength and rigidity of chase walls, allowing both walls to support each other whilst remaining completely acoustically isolated.

**Acoustical Max Loading:** N/A.



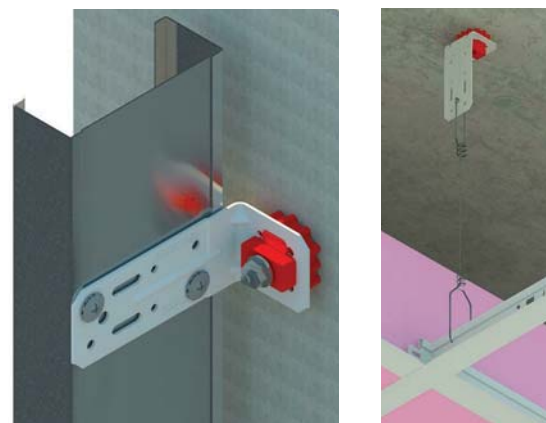
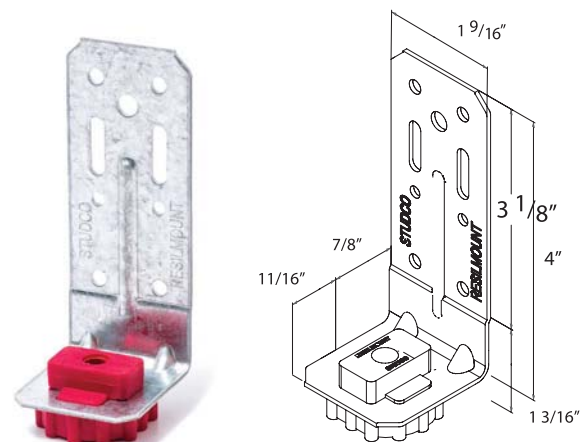
## A48R

### Resilient Mount Right Angle Bracket

Part No#	Description
A48R	Resilient Mount Right Angle Bracket #

Resilmount A48R is provided with several 3/16" slotted holes in bracket fastening surface, suitable for direct fastening or inserting suspension rod for suspended ceiling systems.

**Acoustical Max Loading:** 48lbs.



RES\_SIS\_022024

RES\_SIS\_022024

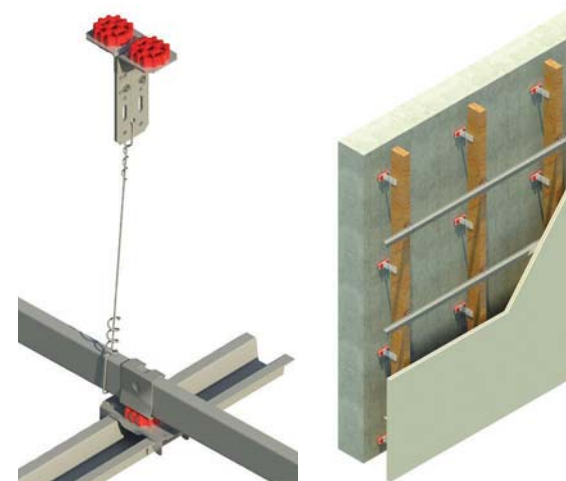
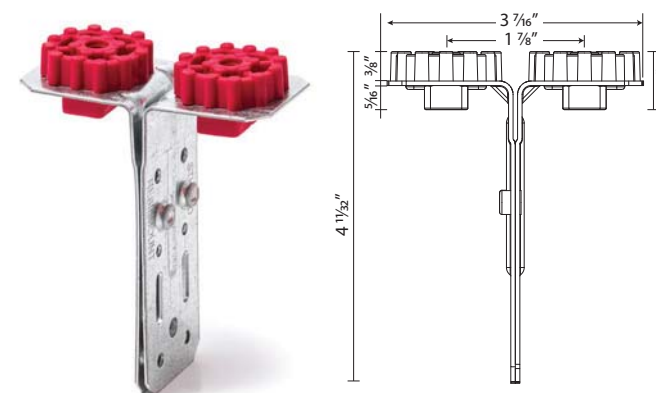
## A72R

### Resilient Mount Double Right Angle Bracket

Part No#	Description
A72R	Resilient Mount Double Right Angle Bracket #

Resilmount A72R is an engineered, acoustic resilient mounting bracket for reducing airborne vibration and structure-borne vibration in internal ceiling applications. The A72R can be used in the decoupling of wall systems, isolating ceilings, and mechanical vibration control.

**Acoustical Max Loading:** 110lbs.



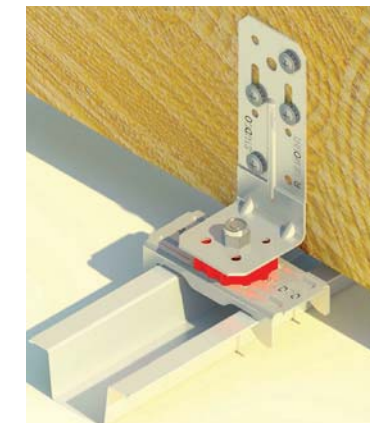
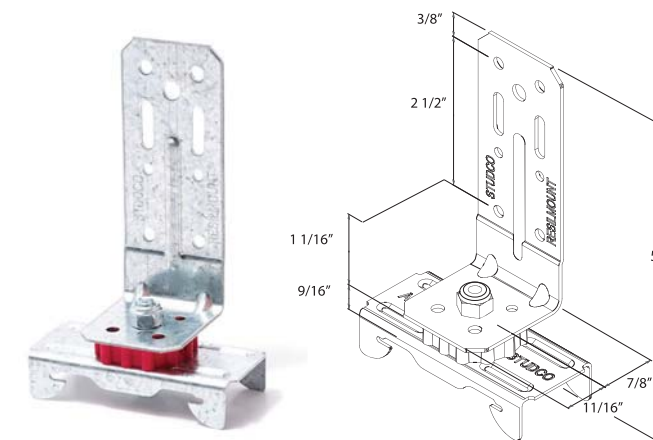
## A96R

### Furring Channel to Purlin Resilient Mount

Part No#	Description
A96R	Furring Channel to Purlin Resilient Mount #

Resilmount A96R can be fastened directly to trusses and purlins providing adjustability. Provided with a variety of holes for different fasteners.

**Acoustical Max Loading:** 48lbs.



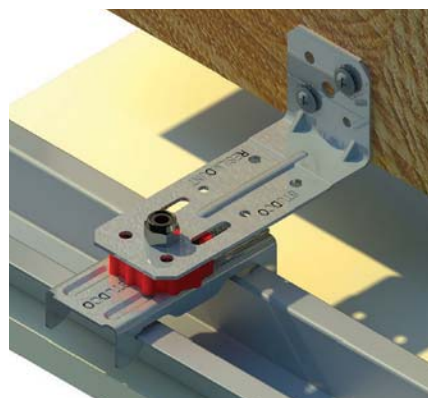
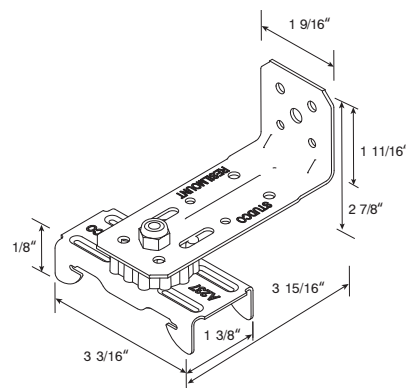
## A106R

### Resilmount Low Profile Mounting Bracket

Part No#	Description
A106R	Resilient Mounting Bracket #

Resilmount A106R is a combination of the A237R and the M-100 4" 14 Ga bracket. The A237R is attached to the 4" leg of the bracket.

**Acoustical Max Loading:** 22lbs.



## MBFR

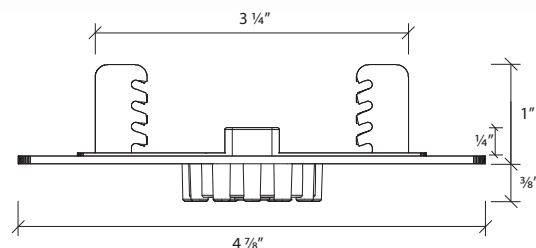
### Betafix Adjustable Resilient Mount

Part No#	Clip Height	Metal Thickness	Clip width x length	Height of rubber*
MBFR	1 3/8"	.069" / 14 gauge	1 1/4" x 4 7/8"	3/8"

\*Height of rubber on top of clip

Adjustable Furring Channel clips with 4 positions at 3/16" increments to adjust Furring Channel, Eliminating packers.

**Acoustical Max Loading:** N/A.



An adjustable furring channel clip which complies with sound isolation requirements for acoustic walls. Using the Studco Betafix® Clip and the legendary Resilmount patented sound cell, this unique clip offers versatility in battened acoustic walls.

- Eliminates time consuming shimming
- 4 adjustable locations
- Pre-punched with fixing holes
- 0 – 3/4" adjustment @ 3/16" increments
- Designed for 25 gauge furring channel

RES\_SIS\_022024

RES\_SIS\_022024

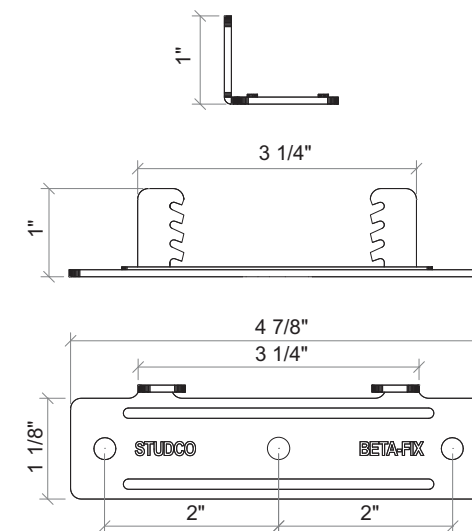
## MBF

### Betafix Direct Adjustable Furring Channel Clip

Part No#	Clip Height	Metal Thickness	Clip width x length	Height of rubber
MBF	1"	.069" / 14 gauge	1 1/4" x 4 7/8"	-

Adjustable Furring Channel clips with 4 positions at 3/16" increments to adjust Furring Channel, Eliminating packers.

**Acoustical Max Loading:** 120lbs.



The MBF Betafix adjustable furring channel clip is used to provide adjustment for walls and ceilings. This eliminates the need of shims and extra fasteners and provides for a faster more accurate installation. Once the MBF Betafix clip is securely fastened onto the wall or ceiling the furring channel can be snapped into the MBF Betafix clip without the need of any extra fasteners.

**Now that's convenience...**

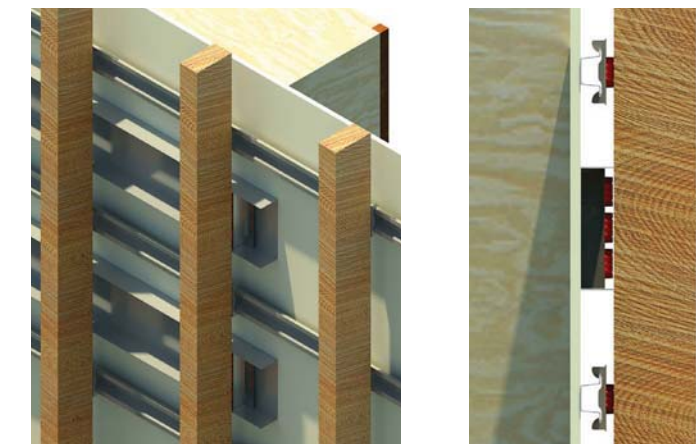
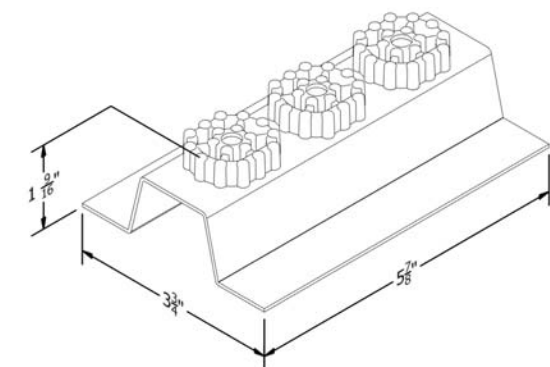
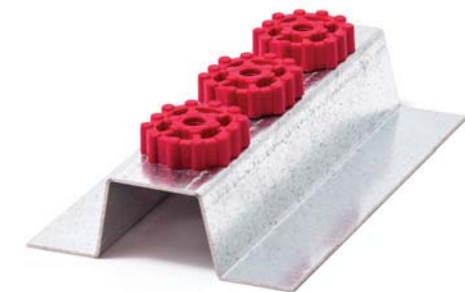
## A130R

### Resilient Heavy Duty Mounting Bracket

Part No#	Description
A130R	Resilient Heavy Duty Mounting Bracket #

The A130R is used as a heavy duty mount and acoustical isolation bracket. It is mounted between the wall and the structure that you are mounting.

**Acoustical Max Loading:** 110lbs.



## A50R

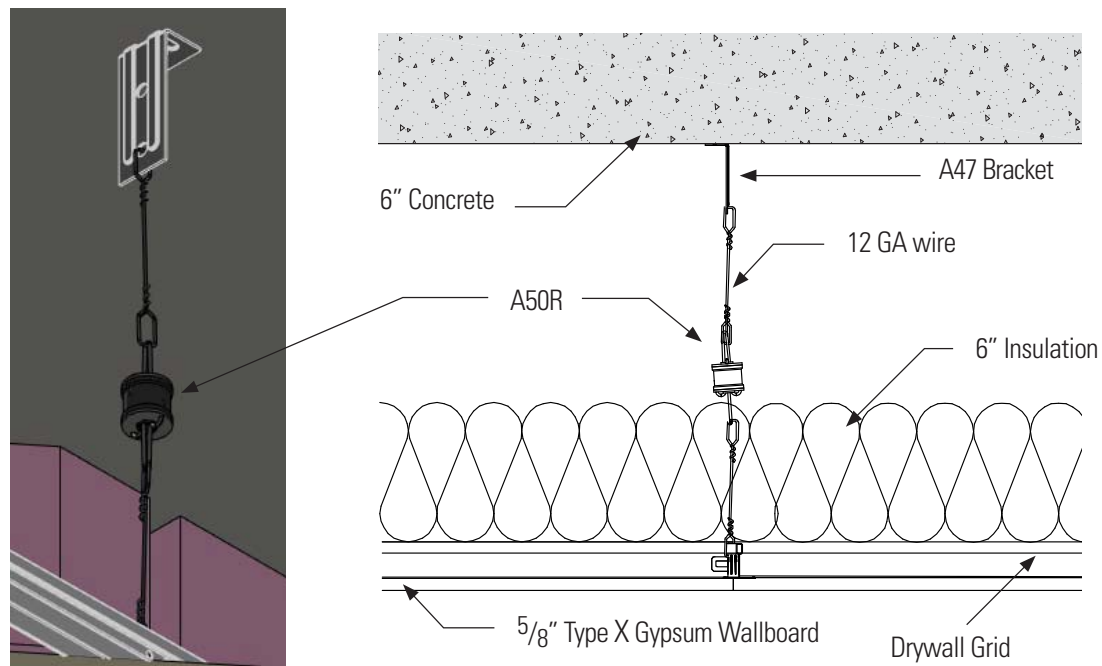
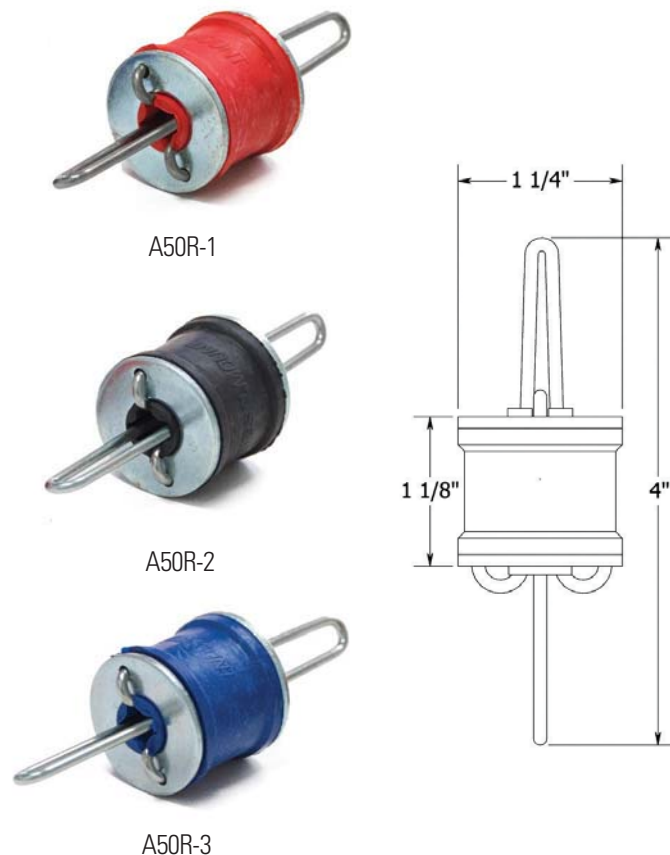
### Resilient Isolation Hanger

Part No#	Description	Height	Deflection (mm)	Capacity (lbs)
A50R-1	Red Isolation Hanger	4"	3/16"	65
A50R-2	Black Isolation Hanger	4"	3/16"	120
A50R-3	Blue Isolation Hanger	4"	3/16"	200

The extensive range of sound isolation mounts for ceilings from Studco Building Systems now includes a selection of isolation hangers that have varying load capacities. That means that optimum ceiling acoustics are achievable regardless of the weight of the ceiling system. The unique color coding of the mounts identifies the ceiling load capacity.

- Easily works with all hanger wire.
- Easy installation into new or existing ceiling systems.
- Provides 3/16" static deflection as required in some installations
- Acoustically tested for STC and IIC.
- Does not reduce the load capacity of the ceiling system.
- Suitably isolates the ceiling system from the structure to reduce structure and airborne noise.
- Elastomer Type: Natural Rubber.
- Load capacity: From 65 to 200Lbs.

**Acoustical Max Loading:** Optimum weight capacity: 65 lbs. (red), 120 lbs. (black), 200 lbs. (blue)



## A481R

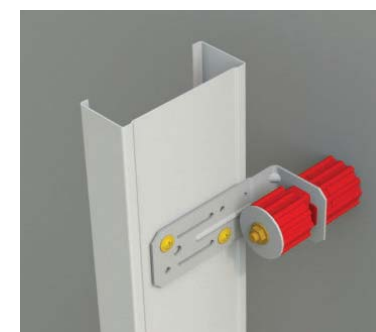
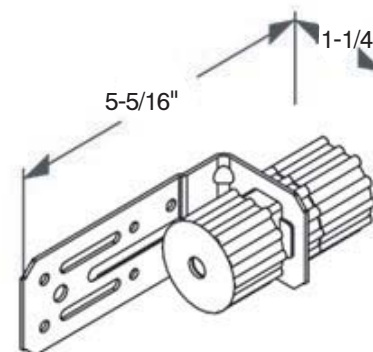
### Resilmount Isolated Wall Brace

Part No#	Description
A481R-RED	Resilmount A481R isolated wall brace – RED 135 lbs.
A481P-PUR	Resilmount A481R isolated wall brace – PURPLE 230 lbs.

\*A481R is supplied with one concrete 6" masonry anchor

For providing a structural tie between two walls and for supporting horizontal loads, the Resilmount A481R and A482R isolated wall brace is unsurpassed in performance, amenity and value.

**Acoustical Max Loading:** 230lbs.



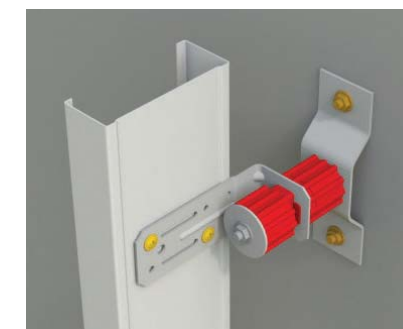
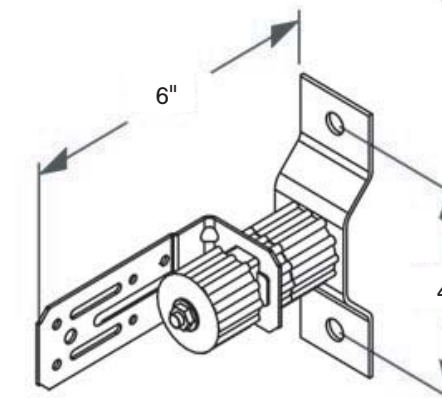
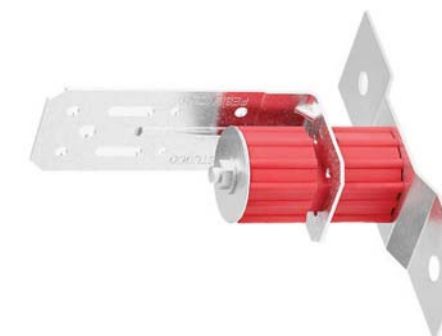
## A482R

### Resilmount Isolated Wall Brace

Part No#	Description
A482R-RED	Resilmount A481R isolated wall brace – RED 135 lbs.
A482P-PUR	Resilmount A481R isolated wall brace – PURPLE 230 lbs.

For providing a structural tie between two walls and for supporting horizontal loads, the Resilmount A481R and A482R isolated wall brace is unsurpassed in performance, amenity and value.

**Acoustical Max Loading:** 135lbs.



RES\_SIS\_022024

RES\_SIS\_022024

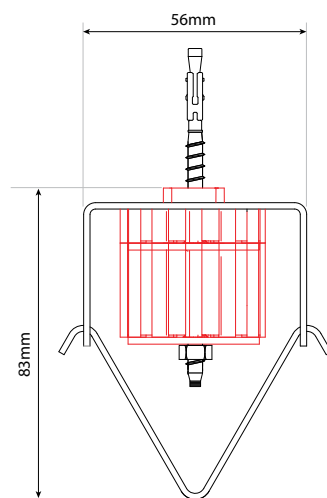
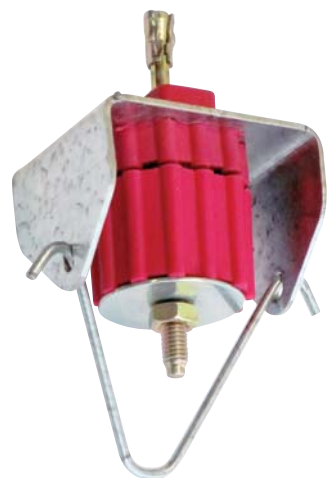
## A326R

### Static Deflection Direct-Fix Resilient Hanger

Part No#	Description
A326R-RED	Resilmount static deflection direct-fix resilient hanger.

The Resilmount A326R static deflection direct-fix resilient hanger is most suited to environments where excessive unwanted noise is experienced and highly sensitive acoustic environments. Typical installations include recording studios, airports, concert halls, high-rise apartments, performing arts centres and plant rooms.

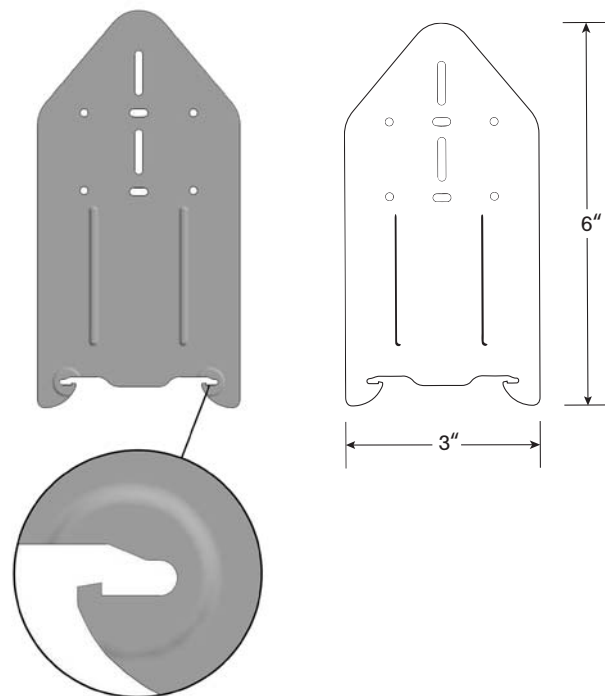
**Acoustical Max Loading:** 101lbs.



## A94

### Adjustable Furring Channel Clip

Part No#	Clip Width	Metal Thickness	Clip width x length	Clip Weight
A94	1 3/8"	20 gauge / 33 mil	3" x 6"	0.05 lbs



- Made in the USA
- Max 4" distance between underside of Joist and top of the furring channel flange
- Incremental slot adjustability up to 11/16"
- 2 step locking system:
  - Smaller slots at the end of the clip to keep the furring channel tight.
  - Angled up teeth to lock the channel into the clip once weight is applied.
- Made with heavy gauge 33mil 20ga steel.
- 2 dimpled ribs running parallel to provide extra strength.
- 4 smaller added holes for installing on angled ceilings and for added strength.

RES\_SIS\_022024

RES\_SIS\_022024

## Resilmat



Part No#	Description
RM602	2mm Recycled rubber sound isolation underlayment #
RM605	5mm Recycled rubber sound isolation underlayment #
RM610	10mm Recycled rubber sound isolation underlayment #

A flat, resilient, recycled rubber underlayment to be used directly under most floor finishes, yielding exceptional results even under hard surface flooring, over concrete and wood construction.



### Acoustics

Backed by over 400 independent lab and field tests, Resilmat has been proven to provide the highest levels of IC sound isolation in the industry. Contact Resilmount to access the test reports that meet your needs.

### Performance Attributes

- Can thin-set tile and stone directly to the product per ASTM C627.
- Compatible with most floor finishes.
- Fast installation.
- Available in 48" wide rolls and a variety of thicknesses.
- Vapor barrier option available.
- Crack isolation membrane protects ceramic, porcelain and stone tile from substrate cracks.
- Rated extra heavy by the Tile Council of North America.
- Passes VOC Washington State IAQ Test (ASTM D5116).
- Can contribute toward earning up to 9 LEED.

### Standard Tolerance

- Width: +3/4" - 0"
- Length: +1% - 0"
- Thickness: -0.3mm

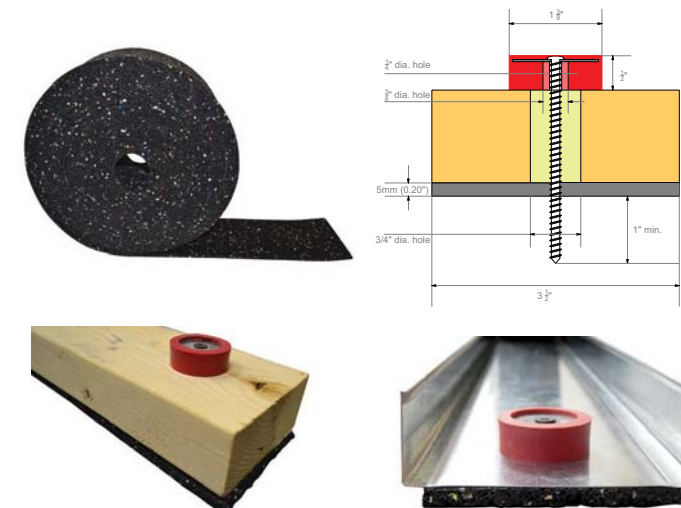


## Resilmat RMI / W20R



Part No#	Mat Height	Mat Width	Mat Length
RMI-205R	5mm	2 1/4"	30'
RMI-210R	10mm	2 1/4"	15'
RMI-305R	5mm	3 1/4"	30'
RMI-310R	10mm	3 1/4"	15'
RMI-505R	5mm	5 1/4"	30'
RMI-510R	10mm	5 1/4"	15'

Resilmat - RMI is used to help prevent structure borne noise from transmitting through the wall into the areas above and below the partition.



Wood Track - RMI With W20R

Metal Track - RMI With W20R

### W20R SOUND ISOLATION WASHER

The W20R is a sound isolation washer used in conjunction with the Resilmat - RMI recycled rubber underlayment for most floor and ceiling sills.

The W20R is used in these sills by drilling holes up to 3/4" in diameter, every 16" to 24" (Consult local code) whether it is wood or metal track. Insert a fastener through the hole in the center of the W20R Washer and then fasten the plate to the floor.



- Sound Isolation Washer
- Diameter: 1 3/8"
- Thickness: 1/2"

Sound Isolation Solutions

# Related Products



## M47

### Right Angle Bracket

Part No#	Description
M47	Right Angle Rod Bracket with 6mm hole

## M74

### Rod Suspension Bracket

Part No#	Description
M74	Straight Rod Bracket

## M100

### Angle Bracket

Part No#	Description
M100	Angle Bracket 100 x 45 x 40 x 1.5-6mm hole.

## M534

### Top Cross Rail Spring Hanger

Part No#	Description
M534	Top Cross Rail Spring Hanger

## M21

### Suspension Rod

Part No#	Description
M21	Galvanized Suspension Rod



The Resilmount family of products...



Review the fire and sound testing assemblies in the updated Resilmount Technical Manual - Eighth Edition.



WALL ASSEMBLIES				
Assembly	Part #	Fire Rating	STC	OITC
Metal Stud	A237R	1hr	57	XX
Metal Stud	A237R	2hr	63	XX
3-5/8" Metal Studs	A237R	1hr	59	46
3-5/8" Metal Studs	A237R	2hr	60	50
3-5/8" Metal Studs	A237R	1hr	58	46
6" Metal Studs	A237R	2hr	58	43
6" Metal Studs	A237R	1hr	60	47
6" Metal Studs	A237R	2hr	60	52
6" Metal Studs	A237R	1hr	59	47
Wood Stud	A237R	1hr	55	XX
Wood Stud	A237R	1hr	56	XX
Wood Stud	A237R	1hr	59	XX
Wood Stud	A237R	2hr	60	XX
3-1/2" Wood Studs	A237R	1hr	56	42
3-1/2" Wood Studs	A237R	1hr	59	49
3-1/2" Wood Studs	A237R	1hr	59	49
3-1/2" Wood Studs	A237R	1hr	58	45
5-1/2" Wood Studs	A237R	1hr	57	42
5-1/2" Wood Studs	A237R	1hr	61	46
5-1/2" Wood Studs	A237R	1hr	65	50
5-1/2" Wood Studs	A237R	1hr	64	50
5-1/2" Wood Studs	A237R	1hr	62	47
Steel Stud	A481R	XX	66	XX

CEILING ASSEMBLIES				
Assembly	Part #	Fire Rating	STC	IIC
Wood I-Joist	A237R	1hr	59	50
Wood I-Joist	A237R	1hr	60	56
Wood I-Joist	A237R	1hr	56	50
Wood I-Joist	A237R	1hr	56	55
Open Web Wood Truss	A237R	1hr	57	51
Open Web Wood Truss	A237R	1hr	54	44
Open Web Wood Truss	A237R	1hr	54	47
Open Web Wood Truss	A237R	1hr	58	49
Open Web Wood Truss	A237R	1hr	56	54
Wood Truss	A237R	1hr	50	41
Steel C Joist	A237R	1.5hr	65	60
Steel Bar Joist	A237-BR	1hr	53	36
6" Concrete Slab	A237-CR	XX	63	63
6" Concrete Slab	A48R	XX	63	63
6" Concrete Slab	A50R-1,2,3	XX	63	61

Sound Isolation Solutions



Manufactured by



STUDCO BUILDING SYSTEMS US, LLC  
P: 800.675.8023 F: 585.545.3010  
sales@resilmount.com  
www.resilmount.com

Distributed by



13191 Crossroads Pkwy. North Ste. 325 City of Industry, CA 91746  
P: 1-800-775-2362  
info@cemcosteel.com

Global Network

