



Expanding Your Solutions

800.775.2362 | www.cemcosteel.com

Structural Engineering/Design: 925.473.9340

Technical Services: 800.416.2278

## SUPER SEAL-X (FIRE RATED DEFLECTION BEAD)

### Product Description

**CEMCO SUPER SEAL-X** is a surface mounted deflection bead tested to UL 2079. It provides 1 & 2 hour firestop solutions in vertical joints for both standard wall and shaft wall types between dissimilar material applications.



- UL tested for use at vertical joint at fire barrier intersecting aluminum window mullions.
- Provides up to 50% compression.
- Installs fully cured, unaffected by water/moisture/temperature.
- Available in all black or pink vinyl with white bubble gasket.
- Combines a vinyl bubble gasket, a perforated mud leg to provide an aesthetically pleasing joint when in an exposed location.
- Provides both a code compliant firestop and finished drywall accessory in a single component and a simple one-step installation.
- Installs on the face of the drywall with a perforated mud leg incorporated to accept joint compound.
- Easily installs using staples with spray adhesive optional.
- Remains flexible for the life of the assembly.
- Can be used in top-of-wall, bottom-of-wall and vertical joints.
- Provides Sound Transmission Classification (STC) rating.
- Paintable.

### Ordering / Packaging

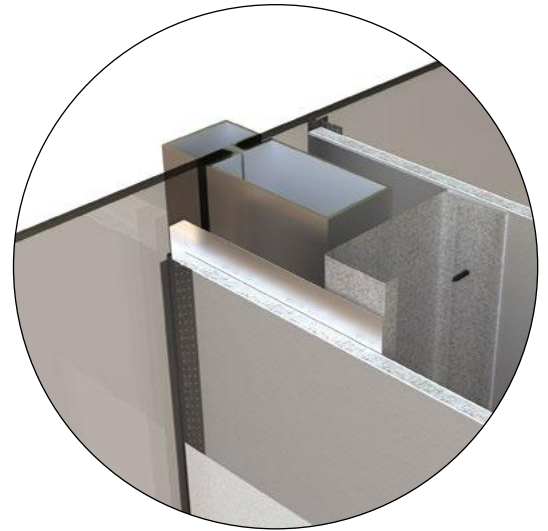
Description	Part #	Size	Length	Pcs/Ctn	Submitted for Review/Use	✓
SUPER SEAL-X (Pink)	SSX	3/8" x 1-1/8"	10'	25	SSX	
SUPER SEAL-X (Black)	SSXB	3/8" x 1-1/8"	10'	25	SSXB	

### Storage / Warranty

- When stored indoors and kept dry in its original package and condition, SUPER SEAL-X has an unlimited shelf life.
- 25 Year Limited Warranty – see CEMCO Standard Fire, Smoke & Acoustic Product Warranty for details.

### ASTM & Code Standards

- ASTM E84
- ASTM E90
- ASTM E1966
- UL 2079 5th Edition
- UL ER25033-01
- L-Rating (air leakage) testing for compliance with International Building Code (IBC) and Canadian Building Code (CBC).
- UL listings/approvals include: BW-S-0024; HW-D-0550, HW-D-0554; HW-D-0624; HW-S-0128; WW-D-0104; WW-D-0172; WW-D-0182
- U.S. Patent No. 11,111,666; 11,873,636**



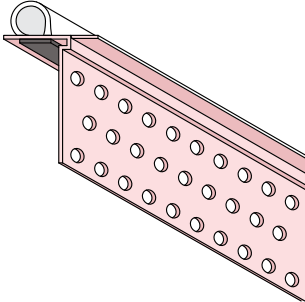
Please refer to [www.cemcosteel.com](http://www.cemcosteel.com) for [UL Fire Rated Assemblies](#) and [Sound Test Reports](#).



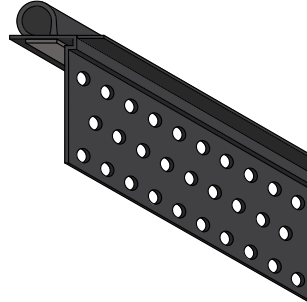
This technical information reflects the most current information available and supersedes any and all previous publications effective February 11, 2025.

02-11-25 AT

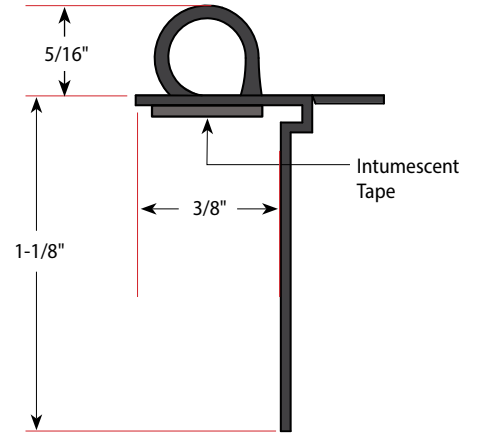
## SUPER SEAL-X (FIRE RATED DEFLECTION BEAD)



SSX



SSXB



← View the installation video!

