



Expanding Your Solutions

800.775.2362 | www.cemcosteel.com

Structural Engineering/Design: 925.473.9340

Technical Services: 800.416.2278

FIRE GASKET® (PREFORMED FIRESTOP)

Product Description

CEMCO FIRE GASKET is composed of a vinyl frame with a bubble gasket and intumescent strip that is tested to UL 2079. It provides 1 & 2 hour firestop solutions in joints for both standard and shaft wall assemblies.



- Tested with up to 100% compression AND 100% extension.
- Remains flexible for life of the assembly.
- Can be used in top-of-wall, bottom-of-wall, and vertical joints.
- Can be installed to the track leg before or after attaching the track to the deck.
- Installs fully cured, unaffected by water/moisture/temperature.
- L-rating (smoke rating) of below 1 CFM.
- Provides Sound Transmission Classification (STC) ratings up to 67.
- No additional firestop sealant or spray required over metal deck mineral wool flute fillers.
- Available in pink for use in concealed locations and black for exposed locations.
- Paintable.

Ordering / Packaging

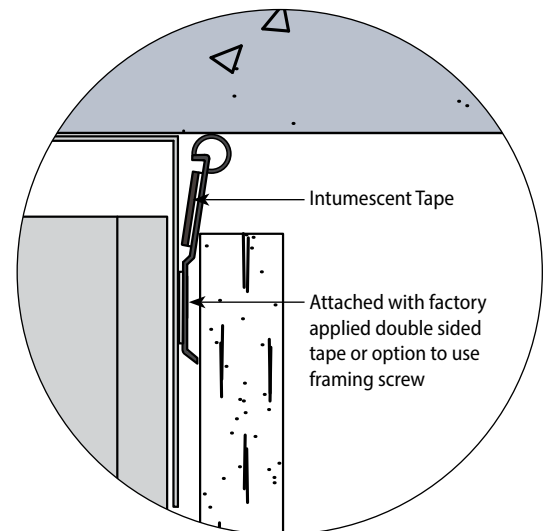
Description	Part #	Size	Length	Pcs/Ctn	Movement	Submitted for Review/Use	✓
FIRE GASKET .5 (Pink)	FG.5	3/8" x 1-1/4"	10'	20	1/2" total	FG.5	
FIRE GASKET .5 (Black)	FGB.5	3/8" x 1-1/4"	10'	20	1/2" total	FGB.5	
FIRE GASKET 1 (Pink)	FG1	3/8" x 1-5/8"	10'	20	1" total	FG1	
FIRE GASKET 1 (Black)	FGB1	3/8" x 1-5/8"	10'	20	1" total	FGB1	
FIRE GASKET 1.5 (Pink)	FG1.5	3/8" x 2-1/4"	10'	20	1-1/2" total	FG1.5	
FIRE GASKET 1.5 (Black)	FGB1.5	3/8" x 2-1/4"	10'	20	1-1/2" total	FGB1.5	

Storage / Warranty

- When stored indoors and kept dry in the original package, Fire Gasket will provide unlimited shelf life.
- Sustainable Building Life-Cycle Warranty – see CEMCO Firestop Product Warranty for details.

ASTM & Code Standards

- ASTM E-84
- ASTM E-119
- ASTM E-1966
- UL 263
- UL 723
- UL 2079 5th Edition
- Cal State Fire (BML) 1451-2376:0004
- UL ER25033-01
- L-Rating (air leakage) testing for compliance with International Building Code (IBC) and Canadian Building Code (CBC).
- UL listings/approvals include: BW-S-0024; BW-S-0053; HW-D-0514; HW-D-0515; HW-D-0518; HW-D-0524; HW-D-0525; HW-D-0550; HW-D-0551; HW-D-0553; HW-D-0554; HW-D-0573; HW-D-0585; HS-D-0587; HW-D-0596; HW-D-0620; HW-D-0621; HW-D-0622; HW-D-0623; HW-D-0624; HW-D-0625; HW-D-0652; HW-D-0653; WW-D-0104; WW-S-0094
- U.S. Patent No. 10,246,871; 10,753,084; 10,954,670**



Please refer to www.cemcosteel.com for [UL Fire Rated Assemblies](#) and [Sound Test Reports](#).

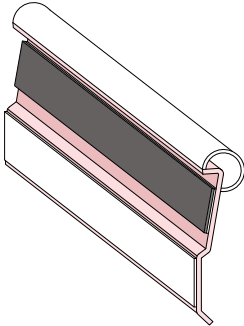


This technical information reflects the most current information available and supersedes any and all previous publications effective April 24, 2024.

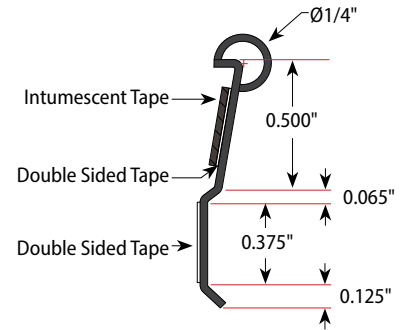
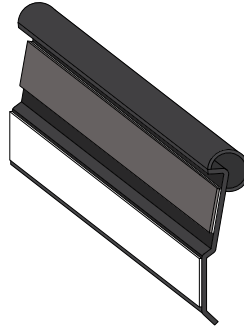
04-24-24 AT

FIRE GASKET® (PREFORMED FIRESTOP)

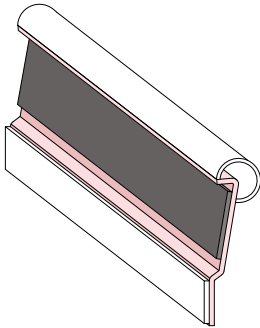
FG.5



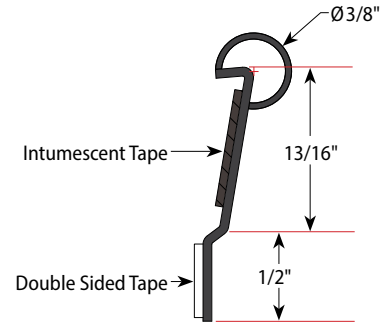
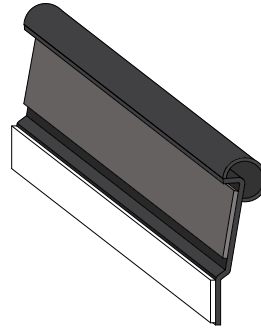
FGB.5



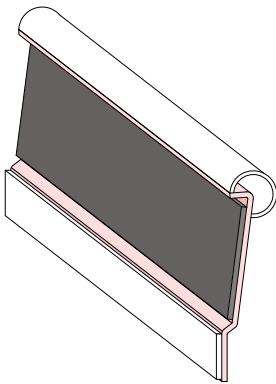
FG1



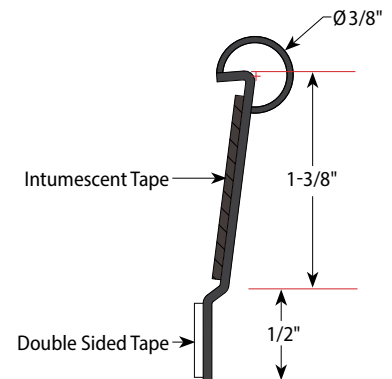
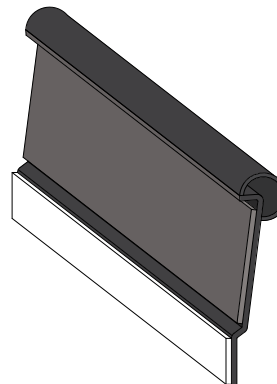
FGB1



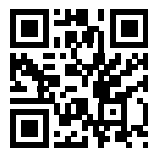
FG1.5



FGB1.5



← View the installation video!



← View the installation guide!