



Expanding Your Solutions

800.775.2362 | www.cemcosteel.com

Structural Engineering/Design: 925.473.9340

Technical Services: 800.416.2278

FIRE GASKET® (PREFORMED FIRESTOP)

Product Description

CEMCO FIRE GASKET is composed of a vinyl frame with a bubble gasket and intumescent strip that is tested to UL 2079. It provides 1 & 2 hour firestop solutions in joints for both standard and shaft wall assemblies.



- ☛ Tested with up to 100% compression AND 100% extension.
- ☛ Remains flexible for life of the assembly.
- ☛ Can be used in top of wall, bottom of wall, and vertical joints.
- ☛ Can be installed to the track leg before or after attaching the track to the deck.
- ☛ Installs fully cured, unaffected by water/moisture/temperature.
- ☛ L-rating (smoke rating) of below 1 CFM.
- ☛ Provides Sound Transmission Classification (STC) ratings up to 67.
- ☛ No additional firestop sealant or spray required over metal deck mineral wool flute fillers.
- ☛ Available in pink for use in concealed locations and black for exposed locations.
- ☛ Paintable.

Ordering / Packaging

Description	Part #		Size	Length		Pcs/Ctn		Movement	Submitted for Review/Use	✓
	*Old	New		*Old	New	*Old	New			
FIRE GASKET .5 (Pink)	*FG.5	FG.5-5	3/8" x 1-1/4"	10'	5'	20	60	1/2" total	FG.5-5	
FIRE GASKET .5 (Black)	*FGB.5	FGB.5-5	3/8" x 1-1/4"	10'	5'	20	60	1/2" total	FGB.5-5	
FIRE GASKET 1 (Pink)	*FG1	FG1-5	3/8" x 1-5/8"	10'	5'	20	60	1" total	FG1-5	
FIRE GASKET 1 (Black)	*FGB1	FGB1-5	3/8" x 1-5/8"	10'	5'	20	60	1" total	FGB1-5	
FIRE GASKET 1.5 (Pink)	*FG1.5	FG1.5-5	3/8" x 2-1/4"	10'	5'	20	50	1-1/2" total	FG1.5-5	
FIRE GASKET 1.5 (Black)	*FGB1.5	FGB1.5-5	3/8" x 2-1/4"	10'	5'	20	50	1-1/2" total	FGB1.5-5	

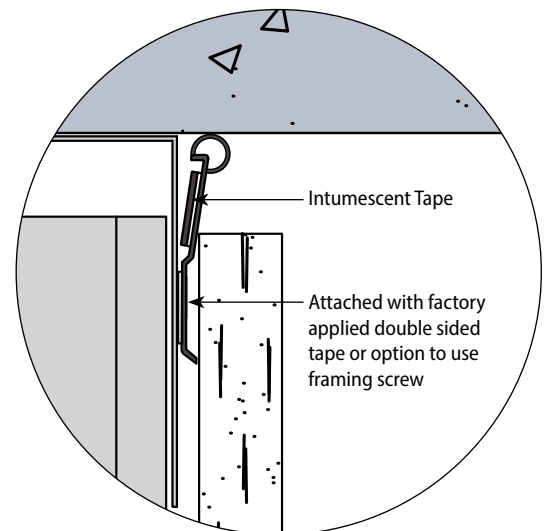
* ITEMS WITH ASTERISK ARE OLD PACKAGING WITH LIMITED AVAILABILITY. ONCE OLD PACKAGING IS DEPLETED, NEW PACKAGING WILL BE AUTOMATICALLY SENT.

Storage / Warranty

- ☛ When stored indoors and kept dry in its original package and condition, FIRE GASKET has an unlimited shelf life.
- ☛ 25 Year Limited Warranty – see CEMCO Standard Fire, Smoke & Acoustic Product Warranty for details.

ASTM & Code Standards

- ☛ ASTM E84
- ☛ ASTM E90
- ☛ ASTM E1966
- ☛ UL 2079 5th Edition
- ☛ Cal State Fire (BML) 1451-2376:0004
- ☛ UL ER25033-01
- ☛ L-Rating (air leakage) testing for compliance with International Building Code (IBC) and Canadian Building Code (CBC).
- ☛ UL listings/approvals include: BW-S-0024; BW-S-0053; HW-D-0514; HW-D-0515; HW-D-0518; HW-D-0524; HW-D-0525; HW-D-0550; HW-D-0551; HW-D-0553; HW-D-0554; HW-D-0573; HW-D-0585; HS-D-0587; HW-D-0596; HW-D-0620; HW-D-0621; HW-D-0622; HW-D-0623; HW-D-0624; HW-D-0625; HW-D-0652; HW-D-0653; WW-D-0104; WW-S-0094
- ☛ **U.S. Patent No. 10,246,871; 10,753,084; 10,954,670**



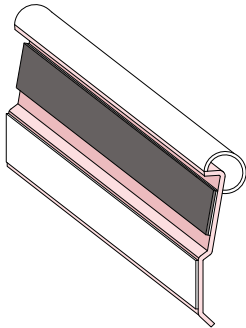
Please refer to www.cemcosteel.com for [UL Fire Rated Assemblies](#) and [Sound Test Reports](#).



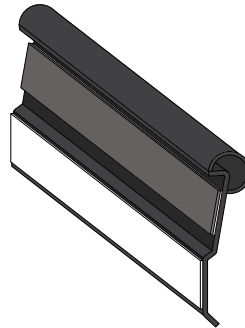
This technical information reflects the most current information available and supersedes any and all previous publications effective November 26, 2025.

11-26-25 AT

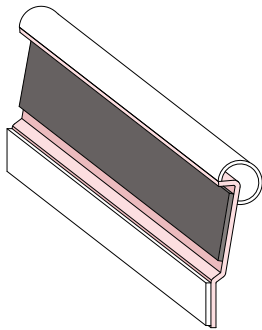
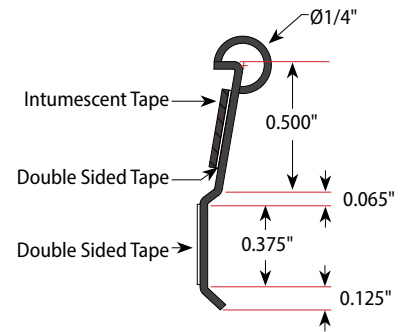
FIRE GASKET® (PREFORMED FIRESTOP)



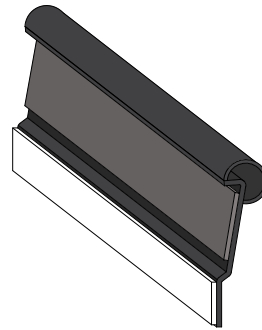
FG.5-5



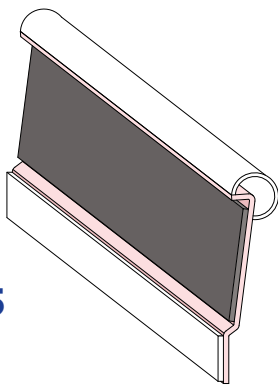
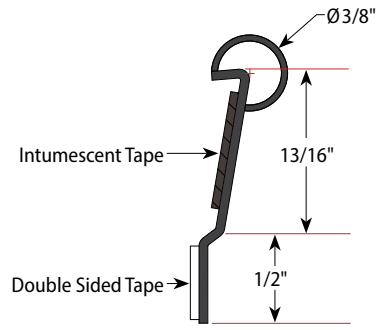
FGB.5-5



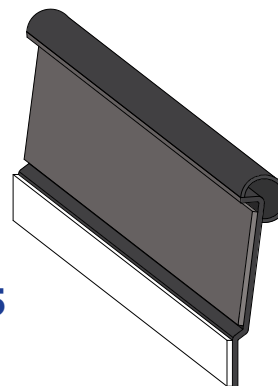
FG1-5



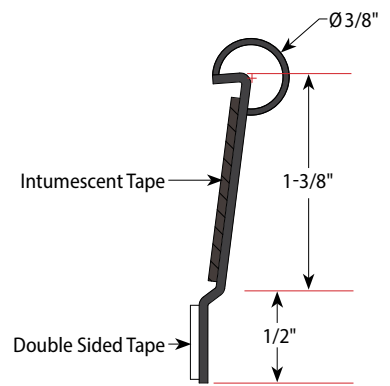
FGB1-5



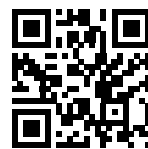
FG1.5-5



FGB1.5-5



← View the installation video!



← View the installation guide!