



Expanding Your Solutions

**Corporate Headquarters**  
13191 Crossroads Pkwy N., Ste 325  
City of Industry, CA 91746  
Phone: 800.775.2362  
Fax: 626.330.7598

**Manufacturing Facilities**  
City of Industry, CA  
Denver, CO  
Ft. Worth, TX  
Pittsburg, CA

**Structural Engineering/Design**  
1001-A Pittsburgh Antioch Hwy  
Pittsburg, CA 94565  
Phone: 800.775.2362  
Fax: 626.330.7598

**Technical Services**  
13191 Crossroads Pkwy N., Ste 325  
City of Industry, CA 91746  
Phone: 800.416.2278  
Fax: 626.249.5004

## CEMCO FIRE GASKET™ .5 (FIRESTOPPING FOR BUILDING JOINTS)

### Product Description

**CEMCO FIRE GASKET™ .5** is a fire rated composite vinyl intumescent accessory that provides fire-ratings for both dynamic and static joints with both concrete and fluted deck assemblies according to **UL-2079 5th edition**, provides **1 and 2 hour fire-ratings**, and an L-rating of less than 1 CFM provides up to 1/2" of unencumbered movement and is sound tested according to ASTM E90.

- **FIRE GASKET .5** may be used with CEMCO Spray-Less Flute Clip for walls perpendicular to flutes.
- **FIRE GASKET .5** takes the place of fire sealant at building joints and does not require any fire spray over compressed mineral wool when used perpendicular to fluted decks.
- **FIRE GASKET .5** is manufactured is a pink color vinyl that is easily identified by the inspector.
- **FIRE GASKET .5** is paintable, always use high-quality paint.
- **FIRE GASKET .5** features an intumescent strip along the inside leg of the profile where it is protected from any potential trade damages.
- **FIRE GASKET .5** installs on both sides of the wall and comes in 10' lengths.
- **FIRE GASKET .5** can be installed in the field or pre-installed to the track prior to installing track in place.
- **FIRE GASKET .5** is very durable and is not easily damaged, once installed it will not delaminate, it will not take in water, and it will not shrink or harden over time.
- **FIRE GASKET .5** provides premium STC ratings.
  - STC 51 on 3-5/8" 20 EQ studs unbalanced walls.
  - STC 55 on 3-5/8" 20 EQ studs balanced walls.
  - STC 67 on 2-1/2" double walls.

### Installation Instructions

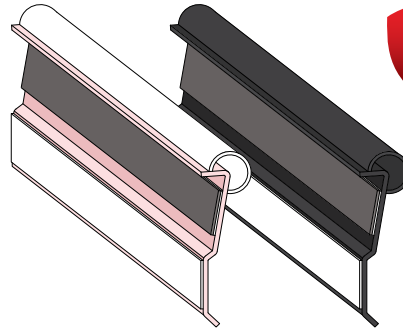
- Install Fire Gasket directly against the perimeter framing member (top track, perimeter stud, bottom track).
- Fire Gasket installs by removing the release paper on its lower leg and pressing firmly into the framing member. Fire Gasket can optionally be installed mechanically through its lower leg with 1/2" framing screws.
- Compress Fire Gasket's bubble gasket firmly against the concrete or fluted deck to prevent smoke, sound or light that would otherwise be able to pass over the top and/or bottom web of the track.
- Follow all other wall assembly requirements outlined in the UL joint system reports.

### Packaging

- 10'-0" lengths; 20 pieces per box; 140 boxes per pallet.
- When properly stored indoors, and in original packaging FIRE GASKET will not breakdown and has no expiration date.

### ASTM & Code Standards

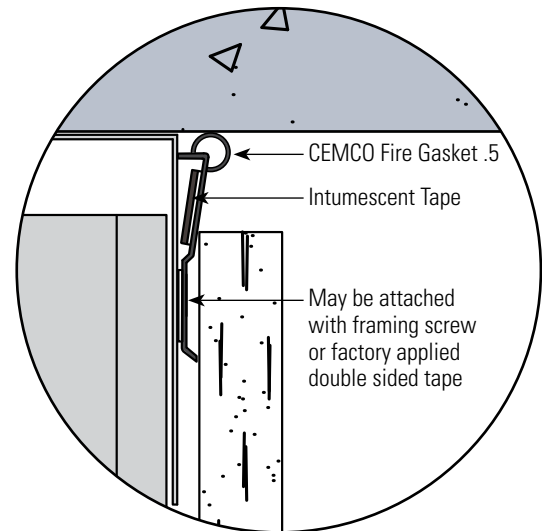
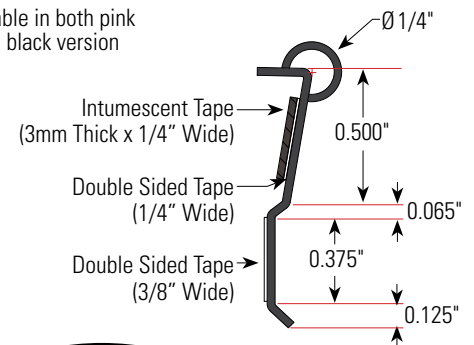
- ASTM E 1966: Standard Test Method of Fire Tests of Firestop Systems – UL 2079 5th Edition Tests for Fire Resistance of Building Joints.
- ASTM E-119 Standard Test Methods for Fire Tests of Building Construction and Material.
- Sound Tested in accordance with ASTM E90-09.
- Air leakage tests conducted for compliance with Section 713.6 of IBC and CBC.
- Intumescent Firestopping tested per ASTM E 84 UL723, Flame Spread 5, Smoke Index 5.
- UL ER25033-01
- UL listings/approvals – HW-D-0515; HW-D-0514; HW-D-0524; HW-D-0551; HW-D-0550; HW-D-0554; HW-D-0620; HW-D-0652; HW-D-0518; HW-D-0553; HW-D-0573; HW-D-0623; WW-S-0057; BW-S-0024; WW-D-0104; HW-D-0625; HW-D-0596; WW-S-0094; HW-D-0525; HW-D-0587; HW-D-0622; HW-D-0553; HW-D-0585.
- **U.S. Patent No. 10,246,871; 10,689,842 B2; 10,753,084; 10,954,670**



Available in both pink and black version



**NEW** Now Available in Solid Black!



← Scan or click the code to view the installation video!



Scan or click → the code to view the installation guide!



### Technical Services

Technical Services: 800.416.2278  
Structural Engineering/Design: 925.473.9340  
www.cemcosteel.com



This technical information reflects the most current information available and supersedes any and all previous publications effective October 6, 2023.

10-06-23 AT