



Expanding Your Solutions

**Corporate Headquarters**  
13191 Crossroads Pkwy N., Ste 325  
City of Industry, CA 91746  
Phone: 800.775.2362  
Fax: 626.330.7598

**Manufacturing Facilities**  
City of Industry, CA  
Denver, CO  
Ft. Worth, TX  
Pittsburg, CA

**Structural Engineering/Design**  
1001-A Pittsburg Antioch Hwy  
Pittsburg, CA 94565  
Phone: 800.775.2362  
Fax: 626.330.7598

**Technical Services**  
13191 Crossroads Pkwy N., Ste 325  
City of Industry, CA 91746  
Phone: 800.416.2278  
Fax: 626.249.5004

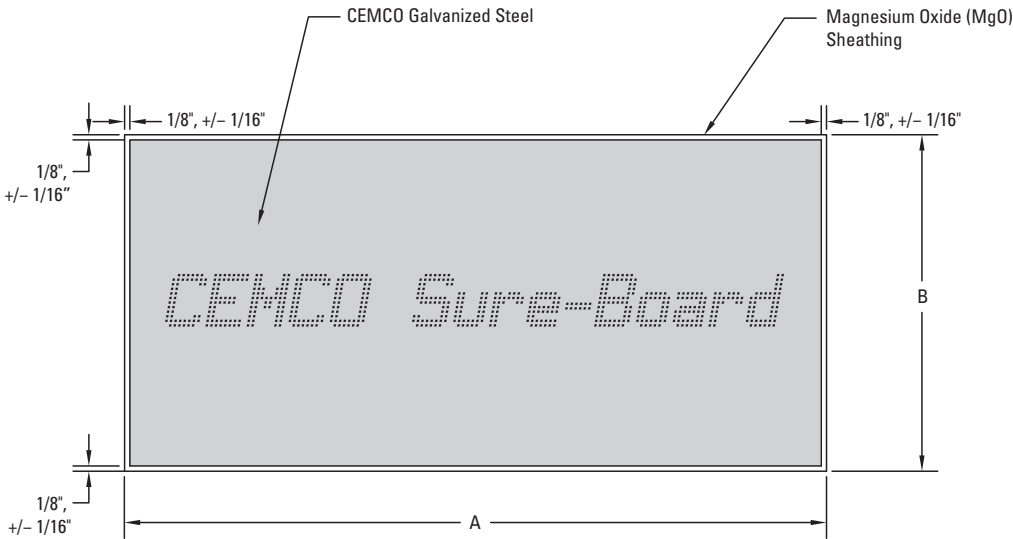
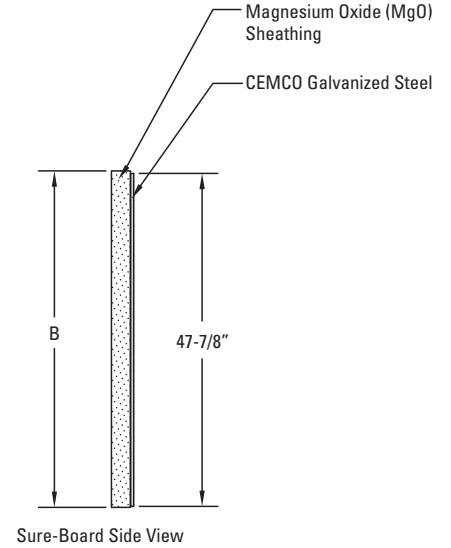
## SURE-BOARD SERIES 200W WITH MgO SHEATHING

### Geometric Properties

**Sure-Board® 200W with MgO** board is a composite product designed to provide superior shear values in both wood and steel framed walls where required by architects and engineers.

### Steel Thickness

Length A (ft.)	Width B (ft.)	Sheathing Thickness (in.)	Steel Thickness Gauge (mil.)
8	48	1/8	22 (27)



### ASTM & Code Standards:

- ASTM A653/653M, A924/924M & A1003/1003M (Steel)
- ASTM C1325 (Cement Board)
- IBC 2018 & 2021
- IRC 2018 & 2021
- CBC 2019
- IAPMO ER-126
- DSA Approved IR A-5

### CEMCO cold-formed steel framing products recycled steel:

- Total Recycled Content: 36.9%
- Post-Consumer: 19.8%
- Pre-Consumer: 14.4%

### LEED v4 for Building and Design Construction:

- MR Prerequisite: Construction and Demolition Waste Management Planning.
- MR Credit: Construction and Demolition Waste Management.
- MR Credit: Building Product Disclosure and Optimization – Sourcing of Raw Materials, Option 2.
- MR Credit: Building Product Disclosure and Optimization – Environmental Product Declarations, Options 1 & 2.
- MR Credit: Building Product Disclosure and Optimization – Material Ingredients, Option 1.
- MR Credit: Building Life-Cycle Impact Reduction, Option 4.

### Technical Services

Technical Services: 800.416.2278  
Structural Engineering/Design: 925.473.9340  
www.cemcosteel.com



This technical information reflects the most current information available and supersedes any and all previous publications effective July 19, 2023.

07-19-23 AT