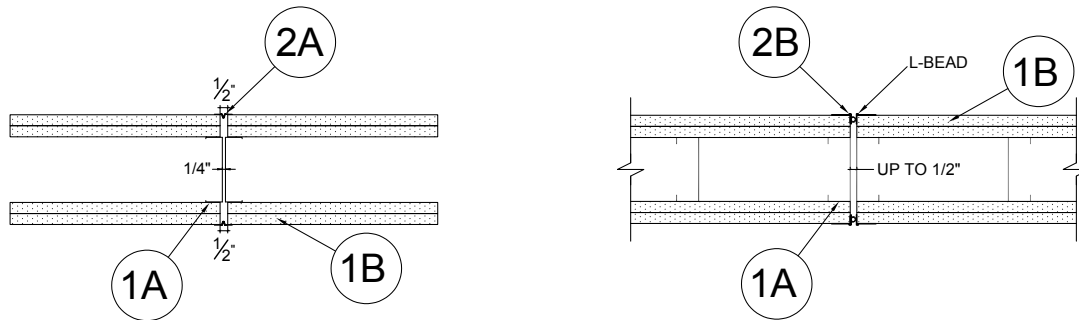


**SYSTEM NO. WW-D-0172**

ANSI/UL2079  
 Assembly Ratings - 1 and 2 Hr

Nominal Joint Width - 1/2"  
 Class II or III Movement Capabilities - 15% Compression or Extension



1. **Wall Assembly** — The 1 or 2 hr fire rated gypsum wallboard/steel stud wall assembly shall be constructed of the materials and in the manner described in the individual U300 or U400-Series Wall or Partition Design in the UL Fire Resistance Directory and shall include the following construction features:
  - A. **Studs** — Wall framing may consist of either wood studs or steel channel studs. Wood studs to consist of nom 2 by 4 in. (or larger) lumber spaced 16 in. OC. Steel studs to be min 3-5/8 in. wide and spaced max 24 in. OC.
  - B. **Gypsum Board\*** — Wallboard sheets to be installed to a min total thickness of 5/8 or 1-1/4 in. on each side of the wall for a 1 or 2 hr rated assemblies, respectively. The hourly fire rating of the joint system is dependent on the hourly fire rating of the wall.
  
2. **Joint System** — Max width of joint (at time of installation of joint system) is 1/2 in. (13 mm) measured between the face boards of the gypsum Item 1B or a max of 1/4 in. (6 mm) measured between the studs Item 1A. The joint system is designed to accommodate a max 15 percent compression and extension from its installed width.
  - A. **Mechanical Joint Assembly** — Fire barrier material adhered to corrugated metal or plastic and provided with flanges of same material. Assembly to be installed on both sides of wall in accordance with the installation instructions provide with the product.
 

**CALIFORNIA EXPANDED METAL PRODUCTS CO** — FAS-093X, FAS 093X V  
**TRIM-TEX INC** — Trim Tex-093X-V
  - B. **Fill, Void or Cavity Material\*** – (Shown in ILL 2) – A 3/8 in. (9.5 mm) gap between the edge of the drywall and the next drywall edge assembly shall be filled with vinyl deflection bead with 5/16 in. (8 mm) intumescent strip applied to horizontal leg that runs above the edge of the drywall.
 

**CALIFORNIA EXPANDED METAL PRODUCTS CO** – SUPER SEAL-X

**\* Indicates such products shall bear the UL or cUL Certification Mark for jurisdictions employing the UL or cUL Certification (such as Canada), respectively.**

The appearance of a company's name or product in this database does not in itself assure that products so identified have been manufactured under UL's Follow-Up Service. Only those products bearing the UL Mark should be considered to be Certified and covered under UL's Follow-Up Service. Always look for the Mark on the product.

UL permits the reproduction of the material contained in the Online Certification Directory subject to the following conditions: 1. The Guide Information, Assemblies, Constructions, Designs, Systems, and/or Certifications (files) must be presented in their entirety and in a non-misleading manner, without any manipulation of the data (or drawings). 2. The statement "Reprinted from the Online Certifications Directory with permission from UL" must appear adjacent to the extracted material. In addition, the reprinted material must include a copyright notice in the following format: "© 2021 UL LLC"