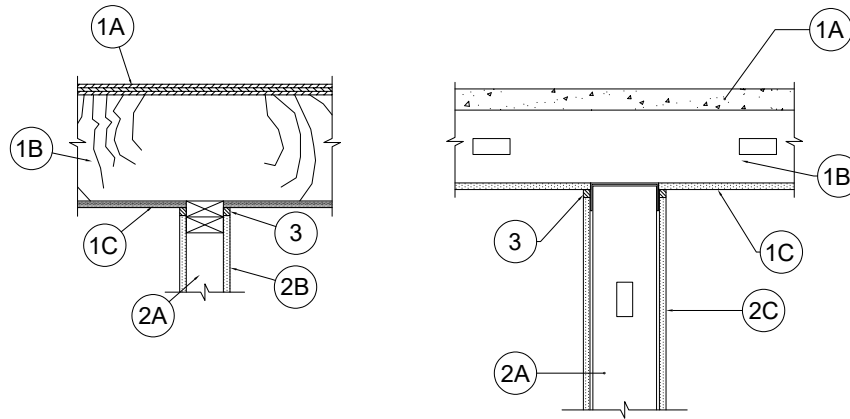


**SYSTEM NO. HW-S-0128**

ANSI/UL2079

Assembly Ratings – 1Hr

Nominal Joint Width - 1/2 in. max



1. **Floor Assembly** — The 1 hr fire rated wood joist, wood truss or combination wood and steel truss Floor-Ceiling assembly shall be constructed of the materials and in the manner described in the individual L500 Series Floor-Ceiling Design in the UL Fire Resistance Directory and shall include the following construction features:
  - A. **Flooring System** — Lumber or plywood subfloor with finish floor of lumber, plywood or Floor Topping Mixture\* as specified in the individual Floor-Ceiling Design.
  - B. **Wood Joists** — Nom 10 in. (254 mm) deep (or deeper) lumber, steel or combination lumber and steel joists, trusses or Structural Wood Members\* with bridging as required and with ends firestopped.
  - C. **Gypsum Board\*** — Nom 4 ft. (122 cm) wide by 5/8 in. (16 mm) thick as specified in the individual Floor-Ceiling Design.
  
2. **Wall Assembly\*** — The 1 hr fire rated gypsum board/lumber stud wall assembly shall be constructed of the materials and in the manner described in the individual U300 or U400 Series Wall and Partition Designs in the UL Fire Resistance Directory and shall include the following construction features:
  - A. **Studs** — Wall framing to consist of wood studs or steel channel studs. Wood studs to consist of nom 2 by 4 in. (51 by 102 mm) lumber spaced 16 in. (406 mm) OC. Steel studs to be min 3-5/8 in. wide and spaced max 2 in. OC.
  - B. **Gypsum Board\*** — Gypsum board sheets installed to a min total thickness of 5/8 in. (16 mm) on each side of wall. Wall to be constructed as specified in the individual Wall and Partition Design in the UL Fire Resistance Directory, except that a max 1/2 in. (13 mm) gap shall be maintained between the top of the gypsum board and the ceiling of the floor-ceiling assembly.
  
3. **Joint System — Fill, Void or Cavity Material\*** — Max separation between the bottom of the ceiling and the top of the wall is 1/2 in. (13 mm) unless C is being used then the max separation is 3/8 in. (9.5 mm). Fill material to be installed as described below.

Item	Product	Max Gap	Movement
3A	HOTROD XL (CEMCO, TRIM-TEX)	1/2"	N/A
3B	Fire Bead (CEMCO, MARINO/WARE, TRIM-TEX)	1/2"	N/A
3C	Super Seal-X (CEMCO, MARINO/WARE, TRIM-TEX)	3/8"	N/A

**\* Indicates such products shall bear the UL or cUL Certification Mark for jurisdictions employing the UL or cUL Certification (such as Canada), respectively.**

The appearance of a company's name or product in this database does not in itself assure that products so identified have been manufactured under UL's Follow-Up Service. Only those products bearing the UL Mark should be considered to be Certified and covered under UL's Follow-Up Service. Always look for the Mark on the product.

UL permits the reproduction of the material contained in the Online Certification Directory subject to the following conditions: 1. The Guide Information, Assemblies, Constructions, Designs, Systems, and/or Certifications (files) must be presented in their entirety and in a non-misleading manner, without any manipulation of the data (or drawings). 2. The statement "Reprinted from the Online Certifications Directory with permission from UL" must appear adjacent to the extracted material. In addition, the reprinted material must include a copyright notice in the following format: "© 2021 UL LLC"