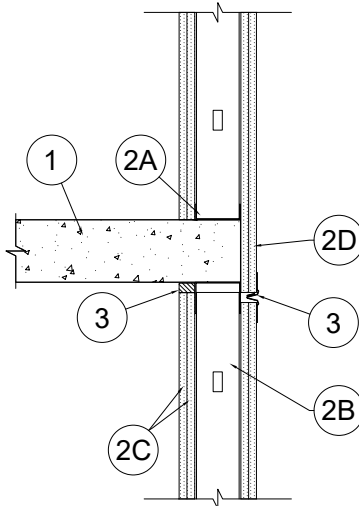


HW-D-0596

ANSI/UL2079
Assembly Ratings - 1 and 2 Hr

Nominal Joint Width - See Chart, Section 3
Class II or III Movement Capabilities - See Chart, Section 3

L Rating at Ambient - Less Than 1 CFM/Lin Ft
L Rating at 400°F - Less Than 1 CFM/Lin Ft



1. **Floor Assembly** — Min 4-1/2 in. (114 mm) thick steel reinforced lightweight or normal weight (100-150 pcf or 1600-2400 kg/m³) structural concrete. Floor may also be constructed of any min 6 in. (152 mm) thick UL Classified hollow-core Precast Concrete Units*. See Precast Concrete Units (CFTV) category in the Fire Resistance Directory for names manufacturers.

The hourly fire rating of the floor assembly shall be equal or greater than the hourly fire rating of the wall assembly

2. **Wall Assembly** — The 1 or 2 hr fire rated gypsum board/stud wall assembly shall be constructed of the materials and in the manner described in the individual U400 or V400 Series Wall and Partition Design in the UL Fire Resistance Directory and shall include the following construction features:
 - A. **Steel Floor Runners** — Floor runners of wall assembly shall consist of min No. 25 gauge galv steel channels sized to accommodate steel studs (Item 2B). Floor runner to be provided with min 1-1/4 in. (32 mm) legs. Legs are to be min 1/4 in. (6 mm) longer than the maximum joint width. Ceiling runners to be as described in Item 3.
 - A1. **Light Gauge Framing* — Slotted Ceiling Track** — (Not Shown) - As an alternate to the Item 2A, a ceiling track consisting of galv steel channel with slotted flanges may be used when Item 3A.1 fill material is utilized. Slotted ceiling track sized to accommodate steel studs (Item 2B). Attached to concrete deck and spaced max 24 in. (610 mm) OC. Legs are to be min 1/4 in. (6 mm) longer than the maximum joint width.

BRADY CONSTRUCTION INNOVATIONS INC, DBA SLIPTRACK SYSTEMS — SLP-TRK
CALIFORNIA EXPANDED METAL PRODUCTS CO — CST, CST 325
MARINO/WARE, DIV OF WARE INDUSTRIES INC — Type SLT

- B. **Studs** — Steel studs to be min 3 5/8 in. (92 mm) wide. Studs cut 1/2 to 3/4 in (13 to 19 mm) less in length than assembly height with bottom nesting in and secured to floor runner. Studs to nest in ceiling runner without attachment.
- C. **Gypsum Board*** — Gypsum board sheets installed to a min total 5/8 in. (16 mm) or 1-1/4 in. (32 mm) thickness on each side of wall for 1 and 2 hr fire rated assemblies, respectively. Wall to be constructed as specified in the individual U400 or V400 Series Design in the UL Fire Resistance Directory except that a max 1/2 in. (13 mm) gap shall be maintained between the top of the gypsum board and the bottom of the floor assembly. The screws attaching the gypsum board to the studs along the top of the wall shall be located 1 in. (25mm) below the bottom of the ceiling runner legs. No gypsum board attachment screws shall be driven into the ceiling runner.
- D. **Gypsum Board*** — Gypsum board sheets installed to a min total 5/8 in. (16 mm) or 1 -1/4 in. (32 mm) thickness on each side of wall for 1 and 2 hr fire rated assemblies, respectively. Wall to be constructed as specified in the individual U400 or V400 Series Design in the UL Fire Resistance Directory except shaft side gypsum board to extend a max of 1/2 in. (13 mm) below the upper floor line overlapping the ceiling runner (Item 3) a min of 1/2 in. (13 mm) so that gypsum board is in contact with intumescent strip and attached with typical steel fasteners to the ceiling runner (Item 3) of the lower level.

The hourly fire rating of the joint system is equal to the hourly fire rating of the wall.

HW-D-0596

ANSI/UL2079
Assembly Ratings - 1 and 2 Hr

Nominal Joint Width - See Chart, Section 3
Class II or III Movement Capabilities - See Chart, Section 3

L Rating at Ambient - Less Than 1 CFM/Lin Ft
L Rating at 400°F - Less Than 1 CFM/Lin Ft

3. **Joint System** — Max separation between bottom of floor and top of wall sheathing (non-shaft side) and gypsum board panels (shaft side) at time of installation is 1/2 in. (13 mm). The joint system is designed to accommodate a max 80 percent compression and or 30 percent extension from its installed width. When Item 3A is used the max nominal width is 3/4 in. (19 mm). When item 2A.1 is used max nominal width is 3/4 in. (19 mm).

Item	Product	Max Gap	Movement
3A	DDA (CEMCO)	3/4"	80% Comp 30% Ext
3B	FAS 093X (CEMCO)	1/2"	15%
3B	FAS 093X-V (CEMCO, TRIM-TEX)	1/2"	15%
3C	HOTROD Type-X (CEMCO)	3/4"	80% Comp 30% Ext
3D	HOTROD XL (CEMCO, MARINO/WARE, TRIM-TEX)	3/4"	80% Comp 30% Ext
3E	Fire Gasket 1 (CEMCO, MARINO/WARE, TRIM-TEX)	1/2"	100% Comp 100% Ext
3E	Fire Gasket 1 (CEMCO, MARINO/WARE, TRIM-TEX)	1"	100% Comp 0% Ext
3F	Fire Bead (CEMCO, MARINO/WARE, TRIM-TEX)	1/2"	50% Comp 0% Ext

- G. **Fill, Void or Cavity Material** — when 3A is used (not shown) – a continuous length of Denver Foam®, open cell polyurethane foam with a nominal diameter of 1/8 in. (3.2 mm) greater than the max width of the joint. The foam shall have a nominal density of 1.7 pcf. The foam is to be placed in the joint above the top edge of the drywall between the concrete slab. Any splices are to be tightly butted. A layer of tape and joint compound can then be applied over the open cell foam.

*** Indicates such products shall bear the UL or cUL Certification Mark for jurisdictions employing the UL or cUL Certification (such as Canada), respectively.**

The appearance of a company's name or product in this database does not in itself assure that products so identified have been manufactured under UL's Follow-Up Service. Only those products bearing the UL Mark should be considered to be Certified and covered under UL's Follow-Up Service. Always look for the Mark on the product.

UL permits the reproduction of the material contained in the Online Certification Directory subject to the following conditions: 1. The Guide Information, Assemblies, Constructions, Designs, Systems, and/or Certifications (files) must be presented in their entirety and in a non-misleading manner, without any manipulation of the data (or drawings). 2. The statement "Reprinted from the Online Certifications Directory with permission from UL" must appear adjacent to the extracted material. In addition, the reprinted material must include a copyright notice in the following format: "© 2021 UL LLC"



Reproduced Courtesy of Underwriters Laboratories, Inc.
Created or Revised: July 19, 2022

CEMCO® | P: (800) 775-2362 | F: (626) 330-7598 | www.cemcosteel.com

Page 2 of 2



HW-D-0596