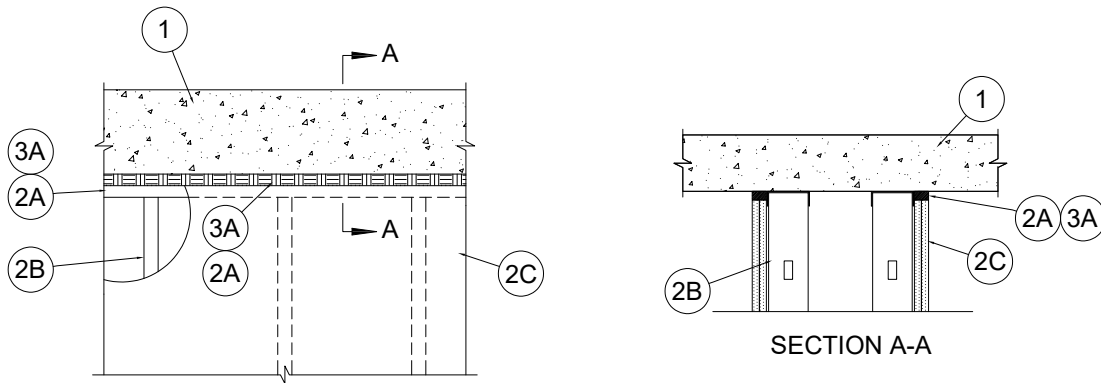


## SYSTEM NO. HW-D-0554

ANSI/UL2079  
Assembly Ratings - 1 and 2 Hr

Nominal Joint Width - See Chart, Section 3  
Class II or III Movement Capabilities - See Chart, Section 3

L Rating at Ambient - Less Than 1 CFM/Lin Ft  
L Rating at 400°F - Less Than 1 CFM/Lin Ft



- 1. Floor Assembly** — Min 4 1/2 in. (114 mm) thick steel reinforced lightweight or normal weight (100-150 pcf or 1600-2400 kg/m<sup>3</sup>) structural concrete. Floor may also be constructed of any min 6 in. (152 mm) thick UL Classified hollow-core Precast Concrete Units\*.

See **Precast Concrete Units** (CFTV) category in the Fire Resistance Directory for names manufacturers.

**The hourly rating of the joint system is equal to the lesser of the hourly ratings of the floor-ceiling assembly and the wall assembly.**

- 2. Wall Assembly** — The 1 or 2 hr fire rated gypsum board/stud wall assembly shall be constructed of the materials and in the manner described in the individual U400 or V400 Series Wall and Partition Design in the UL Fire Resistance Directory and shall include the following construction features:

- A. Steel Floor and Ceiling Runners** — Floor runners of wall assembly shall consist of min No. 25 ga galv steel channels sized to accommodate steel studs (Item 2B). Floor runner to be provided with min 1-1/4 in. (32mm) flanges. The ceiling runners are provided with a fill, void or cavity material and are described in Item 3. Ceiling runners attached to underside of floor with steel fasteners spaced max 24 in. (610 mm) OC.
  - A1. Light Gauge Framing\* — Slotted Ceiling Track** — (Not Shown) — As an alternate to the Item 2A, a ceiling track consisting of galv steel channel with slotted flanges may be used when Item 3A.1 fill material is utilized. Slotted ceiling track sized to accommodate steel studs (Item 2B). Legs are to be min 1/4 in. (6 mm) longer than the maximum joint width. Attached to steel deck with steel fasteners or welds spaced max 24 in. (610 mm) OC.

**BRADY CONSTRUCTION INNOVATIONS INC, DBA SLIPTRACK SYSTEMS** — SLP-TRK  
**CALIFORNIA EXPANDED METAL PRODUCTS CO** — CST, CST 325  
**MARINO/WARE, DIV OF WARE INDUSTRIES INC** — Type SLT

- B. Studs** — Steel studs to be min 2-1/2 in. (64 mm) wide. Studs cut 5/8 to 1-1/4 in (16 to 32 mm) less in length than assembly height with bottom nesting in and secured to floor runner. Steel studs nested in non-slotted ceiling runners without attachment or secured to slotted ceiling runner with No. 8 by 1/2 in. (13 mm) long wafer head steel screws at mid-height of exposed slot.
- B1. Framing Members — Steel Studs\*** — In lieu of Item B — Proprietary channel shaped studs, 3-5/8 in. wide spaced a max of 24 in. OC. Studs to be cut 5/8 to 1-1/4 in (19 to 32 mm) less than the assembly height with bottom nesting in and secured to floor runner. Steel studs nested in non-slotted ceiling runners without attachment or secured to slotted ceiling runner with No. 8 by 1/2 in. (13 mm) long wafer head steel screws at mid-height of exposed slot.

**CALIFORNIA EXPANDED METAL PRODUCTS CO** — ViperStud™  
**MARINO/WARE, DIV OF WARE INDUSTRIES INC** — ViperStud™

- C. Gypsum Board\*** — Gypsum board sheets installed to a min total 5/8 in. (16 mm) or 1-1/4 in. (32 mm) thickness on each side of wall for 1 and 2 hr fire rated assemblies, respectively. Wall to be constructed as specified in the individual U400 or V400 Series Design in the UL Fire Resistance Directory except that a max 5/8 in. (16 mm) gap shall be maintained between the top of the gypsum board and the bottom of the concrete floor. The screws attaching the gypsum board to the studs along the top of the wall shall be located 1 to 3-1/2 in. (25 to 89 mm) below the bottom of the ceiling runner legs. No gypsum board attachment screws shall be driven into the ceiling runner.

**The hourly fire rating of the joint system is equal to the hourly fire rating of the wall.**

## SYSTEM NO. HW-D-0554

ANSI/UL2079  
Assembly Ratings - 1 and 2 Hr

Nominal Joint Width - See Chart, Section 3  
Class II or III Movement Capabilities - See Chart, Section 3

L Rating at Ambient - Less Than 1 CFM/Lin Ft  
L Rating at 400°F - Less Than 1 CFM/Lin Ft

3. **Joint System** — Max separation between bottom of floor and top of gypsum board (at time of installation) is 1/2 in. (13 mm). The joint system is designed to accommodate a max 80 percent compression and or 30 percent extension from its installed width. When 3A is used, max separation between bottom of floor and top of gypsum board is 3/8 in. (10 mm) or 3/4 in. (19 mm) (at the time of installation). The joint system is designed to accommodate a max 80 percent compression and 33 percent extension from its installed width. When 3A1 is used the max nominal joint width is 1/2 in. (13 mm) and the movement is 80 percent compression and 30 percent extension. When 3B or 3A4 is used to fill in the nominal gap, the maximum installed joint width is 3/4 in. (19 mm) and the movement is 80% compression and 33% extension. When Item 3A2 is used, the maximum installed joint width is 3/4 in. (19 mm) and the movement is max 80% compression and 30% extension. When 3A3 is used to fill nominal gap, the maximum installed width is 1/2 in. (13mm) and movement is 75% compression and 25% extension. When item 3A8 is used the joint will accommodate 100% compression/extension for nominal 1/4 in. (6mm) gaps or compression only for 1/2 in. (12mm) gaps. When 3A9 is used, the maximum installed joint width is 3/8 in. (9.5 mm) and the movement is 50% compression only.

Item	Product	Max Gap	Movement
3A	FAS Track 1000 (CEMCO)	3/8"	80% Comp 33% Ext
3A1	DDA-1 (CEMCO)	1/2"	80% Comp 30% Ext
3A2	HOTROD Type-X (CEMCO, MARINO/WARE)	3/4"	80% Comp 30% Ext
3A3	HOTROD Type-X (CEMCO, MARINO/WARE)	1/2"	75% Comp 25% Ext
3A4	HOTROD Type-XL (CEMCO, MARINO/WARE, TRIM-TEX)	3/4"	80% Comp 33% Ext
3A5	Fire Bead (CEMCO, MARINO/WARE, TRIM-TEX)	1/2"	50% Comp 0% Ext
3A6	Fire Gasket 1 (CEMCO, MARINO/WARE, TRIM-TEX)	1/2"	100% Comp 100% Ext
3A6	Fire Gasket 1 (CEMCO, MARINO/WARE, TRIM-TEX)	1"	100% Comp 0% Ext
3A7	Fire Gasket 1.5 (CEMCO, MARINO/WARE, TRIM-TEX)	3/4"	100% Comp 100% Ext
3A7	Fire Gasket 1.5 (CEMCO, MARINO/WARE, TRIM-TEX)	1-1/2"	100% Comp 0% Ext
3A8	Fire Gasket 0.5 (CEMCO, MARINO/WARE, TRIM-TEX)	1/4"	100% Comp 100% Ext
3A8	Fire Gasket 0.5 (CEMCO, MARINO/WARE, TRIM-TEX)	1/2"	100% Comp 0% Ext
3A9	Super Seal-X (CEMCO, MARINO/WARE, TRIM-TEX)	3/8"	50% Comp 0% Ext

- B. **Packing Material** — (Not Shown) — When Item 3A or 3A1 is installed A continuous length of open cell polyurethane foam with a nominal diameter of 1/8 in. (3.2 mm) greater than the max width of the joint. The foam shall have a nominal density of 1.7 pcf. The foam is to be placed in the joint above the top edge of the drywall between the concrete slab. Any splices are to be tightly butted. A layer of tape and joint compound can then be applied over the open cell foam.
- C. **Fill, Void or Cavity Material\* — Sealant** — (Optional, Not Shown) — Where HOTROD (Item 3A3) or backer rod (Item 3B) is not installed, sealant may be used to seal any gaps at end joints between ceiling runners to maintain L Ratings.

UNITED STATES GYPSUM CO — Type AS

**\* Indicates such products shall bear the UL or cUL Certification Mark for jurisdictions employing the UL or cUL Certification (such as Canada), respectively.**

The appearance of a company's name or product in this database does not in itself assure that products so identified have been manufactured under UL's Follow-Up Service. Only those products bearing the UL Mark should be considered to be Certified and covered under UL's Follow-Up Service. Always look for the Mark on the product.

UL permits the reproduction of the material contained in the Online Certification Directory subject to the following conditions: 1. The Guide Information, Assemblies, Constructions, Designs, Systems, and/or Certifications (files) must be presented in their entirety and in a non-misleading manner, without any manipulation of the data (or drawings). 2. The statement "Reprinted from the Online Certifications Directory with permission from UL" must appear adjacent to the extracted material. In addition, the reprinted material must include a copyright notice in the following format: "© 2021 UL LLC"



Reproduced Courtesy of Underwriters Laboratories, Inc.  
Created or Revised: July 13, 2021

CEMCO® | P: (800) 775-2362 | F: (626) 330-7598 | www.cemcosteel.com

Page 2 of 2



HW-D-0554