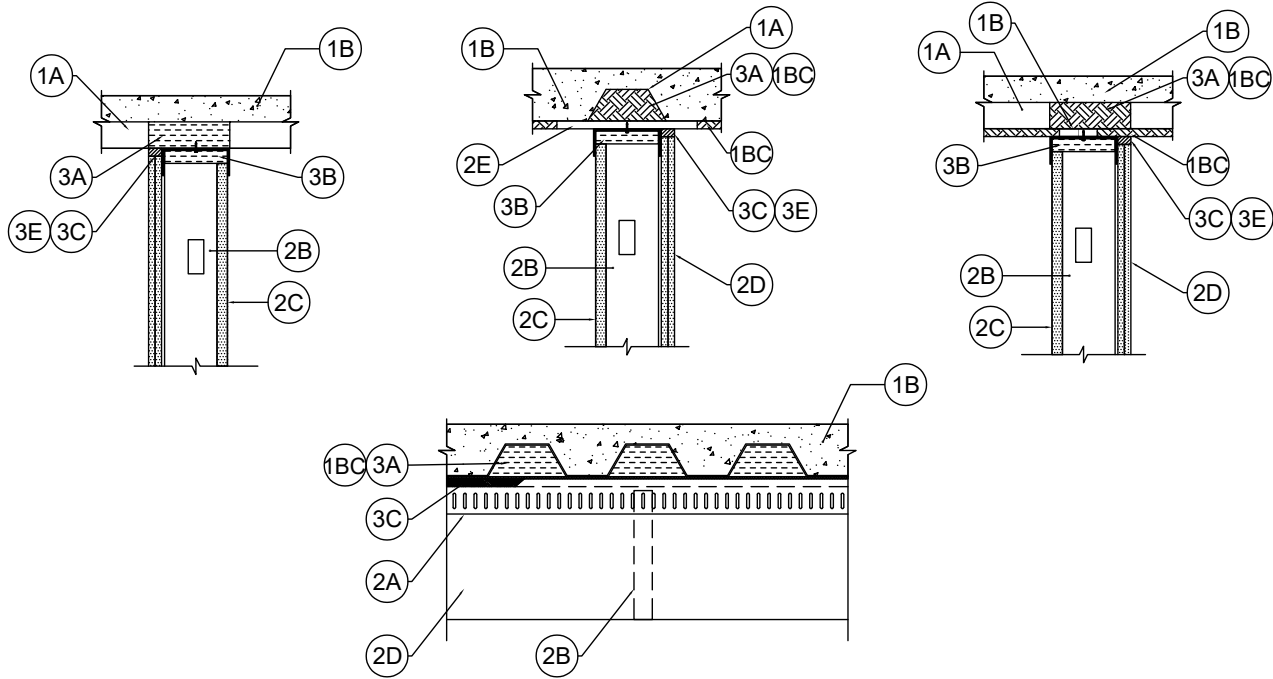


SYSTEM NO. HW-D-0525

ANSI/UL2079
Assembly Ratings - 2 Hr

Nominal Joint Width - See Chart, Section 3
Class II or III Movement Capabilities - See Chart, Section 3

L Rating at Ambient - Less Than 2.1 CFM/lin Ft
L Rating at 400°F - Less Than 1.33 CFM/lin Ft



1. **Floor Assembly** — The fire-rated fluted steel deck/concrete floor assembly shall be constructed of the materials and in the manner described in the individual D900 Series Floor-Ceiling Design in the UL Fire Resistance Directory and shall include the following construction features:

- A. Steel Floor and Form Units* — Max 3 in. (76 mm) deep galv steel fluted floor units.
- B. Concrete — Min 2-1/2 in. (64 mm) thick reinforced concrete, as measured from the top plane of the floor units.

1A. **Roof Assembly** — (Not Shown) - As an alternate to the floor assembly, a fire rated fluted steel deck roof assembly may be used. The roof shall be constructed of the materials and in the manner described in the individual P900-Series Roof-Ceiling designs in the UL Fire Resistance Directory. The hourly rating of the roof assembly shall be equal to or greater than the hourly rating of the wall assembly. The roof assembly shall include the following construction features:

- A. **Steel Roof Deck** — Max 3 in. (76 mm) deep galv steel fluted roof deck.
- B. **Roof Insulation** — Roof insulation to consist of min 2-1/4 in. (57 mm) thick poured insulating concrete, as measured from the top plane of the roof deck.

1B. **Floor Assembly** — (Configurations B and C) - The fire-rated fluted steel deck/concrete floor assembly shall be constructed of the materials and in the manner described in the individual D700 Series Floor-Ceiling Design in the UL Fire Resistance Directory and shall include the following construction features:

- A. **Steel Floor and Form Units*** — Max 3 in. (76 mm) deep galv steel fluted floor units.
- B. **Concrete** — Min 2-1/2 in. (64 mm) thick reinforced concrete, as measured from the top plane of the floor units.
- C. **Spray-Applied Fire Resistive Material*** — (Required for Configurations B and C) - As specified in the D700 Series Floor-Ceiling Design. After installation of ceiling runners (Item 3), the steel floor unit area immediately above the ceiling runner is to be completely filled with spray-applied fire resistive material. Material in flutes to extend 5/8 or 1-1/4 in. (16 or 32 mm) beyond each side of the ceiling runner so as to be approx flush with each surface of the finished wall. No Spray-applied material shall be applied to the flanges of the ceiling runner.

ISOLATEK INTERNATIONAL — Type 300

GCP APPLIED TECHNOLOGIES INC — Type MK-6/HY

SYSTEM NO. HW-D-0525

ANSI/UL2079
Assembly Ratings - 2 Hr

Nominal Joint Width - See Chart, Section 3
Class II or III Movement Capabilities - See Chart, Section 3

L Rating at Ambient - Less Than 2.1 CFM/lin Ft
L Rating at 400°F - Less Than 1.33 CFM/lin Ft

2. **Shaft Wall Assembly** — The 2 hr fire rated gypsum board/stud wall assembly shall be constructed of the materials and in the manner described in the individual U400, V400 or W400 Series Wall and Partition Design in the UL Fire Resistance Directory and shall include the following construction features:

- A. **Steel Floor and Ceiling Runners** — Floor runner U-shaped, sized to accommodate steel studs (Item 2B), fabricated from 24 ga galv steel. Ceiling runner positioned with slotted leg toward finished side of wall. Runners attached to floor with steel fasteners located not greater than 2 in. (51 mm) from ends and not greater than 24 in OC. (610 mm). The ceiling runners are provided with a fill, void or cavity material and are described in Item 3. Legs to be min 1/4 in. (6 mm) longer than the max joint width.
- A1. **Light Gauge Framing*** — Slotted Ceiling Track — (Not Shown) - As an alternate to the Item 2A, a ceiling track consisting of galv steel channel with slotted flanges may be used when Item 3A.1 fill material is utilized. Slotted ceiling track sized to accommodate steel studs (Item 2B). Legs are to be min 1/4 in. (6 mm) longer than the maximum joint width. Attached to steel deck with steel fasteners or welds spaced max 24 in. (610 mm) OC.

BRADY CONSTRUCTION INNOVATIONS INC, DBA SLIPTRACK SYSTEMS — SLP-TRK
CALIFORNIA EXPANDED METAL PRODUCTS CO — CST, CST 325
MARINO/WARE, DIV OF WARE INDUSTRIES INC — Type SLT

- B. **Studs** — "C-T", "I", or "C-H" shaped steel studs to be min 2 1/2 in. (64 mm) wide and formed of min 24 ga galv steel. Studs cut 1 to 1-1/4 in (25 to 32 mm) less in length than assembly height with bottom nesting in and secured to floor runner. Steel studs secured to slotted leg of ceiling runner on finished side with No. 8 by 1/2 (13 mm) long wafer head steel screws at mid-height of exposed slot. Studs spaced max 24 in. (610 mm) OC.
- C. **Gypsum Board*** — 1 in. (25 mm) thick by max 24 in. (610 mm) wide gypsum board liner panels. Panels cut 1 in. less in length than floor to ceiling height. Vertical edges inserted into "T" shaped section of "C-T" studs, into holding tabs of "I" studs or into "H"-shaped section of "C-H" studs.
- D. **Gypsum Board*** — Gypsum board 1/2 or 5/8 in. (13 or 16 mm) thick, applied on finished side of wall as specified in the individual Wall and Partition Design. The boards cut a max 5/8" in. (16 mm) less in length than the floor to ceiling height. The screws attaching the gypsum board layer(s) to the "C-T", "I", or "C-H" studs shall be located 4 to 5 in. (102 to 127 mm) down from deck at time of installation.
- E. **Steel Attachment Clips** — (Required for Configurations B and C, not for use on Configuration A) - Z-shaped clips formed of min 20 ga galv steel. Clips sized to extend through the thickness of the spray-applied fire resistive material on the bottom of the steel deck with 1-1/2 in. (38 mm) long upper and lower legs. Legs of clips fastened to bottom of the deck (prior to application of spray-applied fire-resistive materials) and top of ceiling runner with steel fasteners or welds. Clips spaced max 24in. (610 mm) OC. For Configuration C the clips are to extend a min of 1-1/2 in. (38 mm) onto the valley of the deck on either side of the wall.

3. **Joint System** — Max separation between bottom of floor and top of gypsum board (at time of installation) is 1/2 in. (13 mm). When Item 3C.1 or 3C.2 is used max nominal gap is 3/8 in. (10 mm). The joint system is designed to accommodate a max 100 percent compression or extension from its installed width. When Item 3C3 is used the joint will accommodate 100 % compression/extension for nominal 1/2 in. (12 mm) gaps or compression only for nominal 1 in. (25 mm) gaps. When Item 3C4 is used the joint will accommodate 100% compression/ extension for nominal 3/4 in. (19 mm) gaps or compression only for 1-1/2 in. (38 mm) gaps. When item 3C5 is used the joint will accommodate 100% compression/extension for nominal 1/4 in. (6mm) gaps or compression only for 1/2 in. (12mm) gaps.

- A. **Forming Material*** — Min 4 pcf (64 kg/m3) mineral wool insulation cut to the shape of the fluted steel floor units, approx 33% larger than the area of the flutes. Pieces compressed and inserted into the flutes above the top ceiling runner flush with the runner track. When gaps are present above the ceiling runner at steel deck seams or embossments in the steel deck valleys, a sliver of mineral wool batt insulation shall be used to seal each gap above the ceiling runner on both sides of wall to attain L Ratings.
- A1. **Forming Material* — Metal Clip** — (Not Shown) As an alternate to the forming material (Item 3A), a 20 ga. galvanized preformed U-shaped clip sized to fit within the flute void with forming material (Item 3A) 4 pcf (64 kg/m3) mineral wool installed between the flanges of the metal clip and compressed to 33%. The galvanized clips and mineral wool to be installed in flute voids on both sides of the wall.

CALIFORNIA EXPANDED METAL PRODUCTS CO — Flute Shield

- B. **Forming Material*** — Min 2 in. (51 mm) thick min 4 pcf (64 kg/m3) mineral wool batt insulation cut to friction fit 33 percent compression in width and installed into ceiling runner between leg of track and gypsum liner board.



Reproduced Courtesy of Underwriters Laboratories, Inc.
Created or Revised: July 27, 2021

CEMCO® | P: (800) 775-2362 | F: (626) 330-7598 | www.cemcosteel.com



SYSTEM NO. HW-D-0525

ANSI/UL2079
Assembly Ratings - 2 Hr

Nominal Joint Width - See Chart, Section 3
Class II or III Movement Capabilities - See Chart, Section 3

L Rating at Ambient - Less Than 2.1 CFM/lin Ft
L Rating at 400°F - Less Than 1.33 CFM/lin Ft

Item	Product	Max Gap	Movement
3C1	DDA-1 (CEMCO)	3/8"	100% Comp 100% Ext
3C2	Fire Rated J-Track (CEMCO, MARINO/WARE, UNITED STATES GYPSUM))	3/8"	100% Comp 100% Ext
3C3	Fire Gasket 1 (CEMCO, MARINO/WARE, TRIM-TEX)	1/2"	100% Comp 100% Ext
3C3	Fire Gasket 1 (CEMCO, MARINO/WARE, TRIM-TEX)	1"	100% Comp 0% Ext
3C4	Fire Gasket 1.5 (CEMCO, MARINO/WARE, TRIM-TEX)	3/4"	100% Comp 100% Ext
3C4	Fire Gasket 1.5 (CEMCO, MARINO/WARE, TRIM-TEX)	1-1/2"	100% Comp 0% Ext
3C5	Fire Gasket 0.5 (CEMCO, MARINO/WARE, TRIM-TEX)	1/4"	100% Comp 100% Ext
3C5	Fire Gasket 0.5 (CEMCO, MARINO/WARE, TRIM-TEX)	1/2"	100% Comp 0% Ext

- D. **Fill, Void or Cavity Material* — Sealant** — (Not Shown) - As an alternate to the slivers of mineral wool batt insulation in Item 3A, a dab of sealant may be used to seal each gap above the ceiling runner on both sides of wall to attain L Ratings.

UNITED STATES GYPSUM CO — Type AS

Item	Product	Max Gap	Movement
3E1	HOTROD XL (CEMCO, MARINO/WARE, TRIM-TEX)	5/8"	80% Comp 30% Ext
3E2	HOTROD Type-X (CEMCO)	5/8"	80% Comp 30% Ext
3E3	HOTROD Type-X (CEMCO)	5/8"	75% Comp 25% Ext

- F. **Fill, Void or Cavity Material*** — (Optional, Not Shown) when item 3C.1 is utilized a min 1/16 in. (1.6 mm) dry thickness (min 1/8 in. or 3.2 mm wet thickness) of fill material sprayed or brushed on one side of the joint system, completely covering mineral wool forming material of the joint system and overlapping a min of 1/2 in. (13 mm) onto the steel deck and item 3C.1 on one side of the wall.

RECTORSEAL — Metacaulk 1200, Biostop 750, FlameSafe FS3000, Metacaulk 1500, or Biostop 800 Spray.

*** Indicates such products shall bear the UL or cUL Certification Mark for jurisdictions employing the UL or cUL Certification (such as Canada), respectively.**

The appearance of a company's name or product in this database does not in itself assure that products so identified have been manufactured under UL's Follow-Up Service. Only those products bearing the UL Mark should be considered to be Certified and covered under UL's Follow-Up Service. Always look for the Mark on the product.

UL permits the reproduction of the material contained in the Online Certification Directory subject to the following conditions: 1. The Guide Information, Assemblies, Constructions, Designs, Systems, and/or Certifications (files) must be presented in their entirety and in a non-misleading manner, without any manipulation of the data (or drawings). 2. The statement "Reprinted from the Online Certifications Directory with permission from UL" must appear adjacent to the extracted material. In addition, the reprinted material must include a copyright notice in the following format: "© 2021 UL LLC"



Reproduced Courtesy of Underwriters Laboratories, Inc.
Created or Revised: July 27, 2021

CEMCO® | P: (800) 775-2362 | F: (626) 330-7598 | www.cemcosteel.com

Page 3 of 3



HW-D-0525