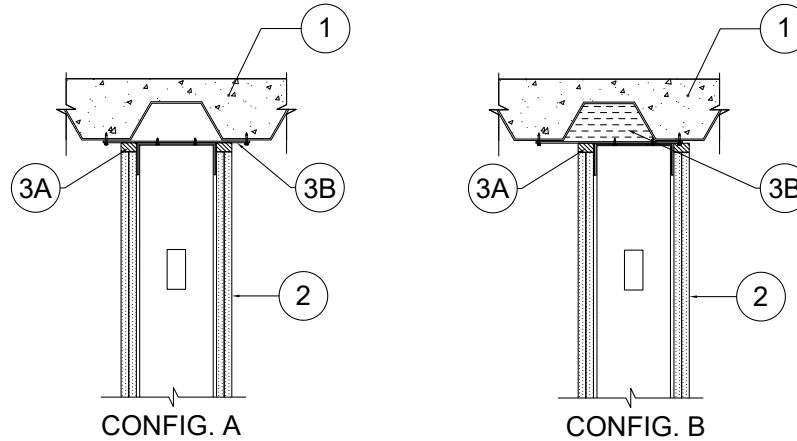


## SYSTEM NO. HW-D-0524

ANSI/UL2079  
Assembly Ratings – 1 and 2 Hr

Nominal Joint Width - See Chart, Section 3  
Class II or III Movement Capabilities - See Chart, Section 3

L Rating at Ambient - Less Than 1 or 2.1  
CFM/Lin Ft (See item 3)  
L Rating at 400°F - Less Than 1 CFM/Lin Ft



1. **Floor Assembly** — The fire-rated fluted steel floor unit/concrete floor assembly shall be constructed of the materials and in the manner described in the individual D900 Series Floor-Ceiling Design in the Fire Resistance Directory and shall include the following construction features:

- A. **Steel Floor and Form Units\*** — Max 3 in. (76 mm) deep galv steel fluted floor units.
- B. **Concrete** — Min 2-1/2 in. (64 mm) thick reinforced lightweight or normal weight (100-150 pcf or 1600-2400 kg/m<sup>3</sup>) concrete, as measure from the top plane of the floor units.

2. **Wall Assembly** — The 1 or 2 hr fire rated gypsum board/stud wall assembly shall be constructed of the materials and in the manner described in the individual U400 or V400 Series Wall and Partition Design in the UL Fire Resistance Directory and shall include the following construction features:

- A. **Steel Floor and Ceiling Runners** — Floor runners of wall assembly shall consist of min No. 25 ga galv steel channels sized to accommodate steel studs (Item 2B). Floor runner to be provided with min 1-1/4 in. (32mm) legs. Legs are to be min 1/4 in. (6 mm) longer than the maximum joint width. The ceiling runners are provided with a fill, void or cavity material and are described in Item 3. Ceiling runner attached to steel strap (Item 3B) with steel fasteners spaced a max 24 in. (610 mm) OC.
- A1. **Framing Members - Floor and Ceiling Runner\*** — Not shown - In lieu of Item A — For use with Item 2C, proprietary channel shaped runners, 3-5/8 in. wide attached to floor and ceiling with fasteners 24 in. OC max. Legs are to be min 1/4 in. (6 mm) longer than the maximum joint width.

**CALIFORNIA EXPANDED METAL PRODUCTS CO** — ViperTrack™  
**MARINO/WARE, DIV OF WARE INDUSTRIES INC** — ViperTrack™

- A2. **Light Gauge Framing\* — Slotted Ceiling Track** — (Not Shown) - As an alternate to the Item 2A, a ceiling track consisting of galv steel channel with slotted flanges may be used when Item 3A.1 fill material is utilized. Slotted ceiling track sized to accommodate steel studs (Item 2B). Legs are to be min 1/4 in. (6 mm) longer than the maximum joint width. Attached to steel deck or steel straps with steel fasteners or welds spaced max 24 in. (610 mm) OC.

**BRADY CONSTRUCTION INNOVATIONS INC, DBA SLIPTRACK SYSTEMS** — SLP-TRK  
**CALIFORNIA EXPANDED METAL PRODUCTS CO** — CST, CST 325  
**MARINO/WARE, DIV OF WARE INDUSTRIES INC** — Type SLT

- B. **Studs** — Steel studs to be min 3-5/8 in. (92 mm) wide. Studs cut 5/8 to 1-1/4 in. (16 to 32 mm) less in length than assembly height with bottom nesting in and secured to floor runner. Steel studs secured to slotted ceiling runner with No. 8 by 1/2 in. (13 mm) long wafer head steel screws at mid-height of exposed slot.
- B1. **Framing Members — Steel Studs\*** — In lieu of Item B - Proprietary channel shaped studs, 3-5/8 in. wide spaced a max of 24 in. OC. Studs to be cut 5/8 to 1-1/4 in (16 to 32 mm) less than the assembly height with bottom nesting in and secured to floor runner. For direct attachment of gypsum board only. Steel studs secured to slotted ceiling runner with No. 8 by 1/2 in. (13 mm) long wafer head steel screws at mid-height of exposed slot.

**CALIFORNIA EXPANDED METAL PRODUCTS CO** — ViperStud™  
**MARINO/WARE, DIV OF WARE INDUSTRIES INC** — ViperStud™

**SYSTEM NO. HW-D-0524**

ANSI/UL2079  
Assembly Ratings – 1 and 2 Hr

Nominal Joint Width - See Chart, Section 3  
Class II or III Movement Capabilities - See Chart, Section 3

L Rating at Ambient - Less Than 1 or 2.1  
CFM/Lin Ft (See item 3)  
L Rating at 400°F - Less Than 1 CFM/Lin Ft

C. **Gypsum Board\*** — Gypsum board sheets installed to a min total 5/8 in. (16 mm) or 1 1/4 in. (32 mm) thickness on each side of wall for 1 and 2 hr fire rated assemblies, respectively. Wall to be constructed as specified in the individual U400 or V400 Series Design in the UL Fire Resistance Directory except that a max 5/8 in. (16 mm) gap shall be maintained between the top of the gypsum board and the bottom of the floor assembly. The screws attaching the gypsum board to the studs along the top of the wall shall be located 4 to 5 in. (102 to 127 mm) down from deck at time of installation. No gypsum board attachment screws shall be driven into the ceiling runner.

**The hourly fire rating of the joint system is equal to the hourly fire rating of the wall.**

3. **Joint System — Max separation between bottom of floor and top of gypsum board (at time of installation of joint system) is 3/4 in. (19 mm). When 3A.1.1 is used max nominal gap is 1/2 in. (13mm). When item 3A.2 is used max nominal width is 3/8 in. (10 mm). When item 2A.2 is used max nominal width is 3/4 in. (19 mm). The joint system is designed to accommodate a max 80 percent compression and 30 percent extension from its installed width.** When Item 3A6 is used the joint will accommodate 100 % compression/extension for nominal 1/2 in. (12 mm) gaps or compression only for nominal 1 in. (25 mm) gaps. When Item 3A7 is used the joint will accommodate 100% compression/ extension for nominal 3/4 in. (19 mm) gaps or compression only for 1-1/2 in. (38 mm) gaps. When item 3A8 is used the joint will accommodate 100% compression/extension for nominal 1/4 in. (6mm) gaps or compression only for 1/2 in. (12mm) gaps.

**Joint Configuration A**

Item	Product	Max Gap	Movement
3A1	DDA (CEMCO)	3/4"	80% Comp 30% Ext
3A1.1	DDA-1 (CEMCO)	1/2"	80% Comp 0% Ext
3A2	FAS Track 1000 (CEMCO, MARINO/WARE)	3/4"	80% Comp 30% Ext
3A3	HOTROD XL (CEMCO, MARINO/WARE, TRIM-TEX)	3/4"	80% Comp 30% Ext
3A4	HOTROD Type-X (CEMCO)	3/4"	80% Comp 30% Ext
3A5	HOTROD Type-X (CEMCO)	1/2"	75% Comp 25% Ext
3A6	Fire Gasket 1 (CEMCO, MARINO/WARE, TRIM-TEX)	1/2"	100% Comp 100% Ext
3A6	Fire Gasket 1 (CEMCO, MARINO/WARE, TRIM-TEX)	1"	100% Comp 0% Ext
3A7	Fire Gasket 1.5 (CEMCO, MARINO/WARE, TRIM-TEX)	3/4"	100% Comp 100% Ext
3A7	Fire Gasket 1.5 (CEMCO, MARINO/WARE, TRIM-TEX)	1-1/2"	100% Comp 0% Ext
3A8	Fire Gasket 0.5 (CEMCO, MARINO/WARE, TRIM-TEX)	1/4"	100% Comp 100% Ext
3A8	Fire Gasket 0.5 (CEMCO, MARINO/WARE, TRIM-TEX)	1/2"	100% Comp 0% Ext
3B	FAS Strap (CEMCO)	N/A	N/A

B. **Steel Straps\*** — (Not Shown) A continuous length of 20 ga galv steel strap with a nom 1/2 in. (13 mm) wide intumescent strip affixed to the edges to span the flute and overlap the adjacent valleys of fluted floor units by 1-1/2 in. (38 mm). The steel strip is to be fastened to floor assembly with the intumescent strips in contact with the bottom of deck using min 1-1/4 in. long steel fastener spaced 12 in. (305 mm) O.C on both valleys. When wall length exceeds length of strap, straps are to be tightly butted and fastened a max 2 in. (51 mm) from ends.

**CALIFORNIA EXPANDED METAL PRODUCTS CO — FAS Strap**

C. **Fill, Void or Cavity Material** — (Not Shown) - When item 3A1 or 3A2 is used an open cell polyurethane foam with a nominal diameter of 1/8 in. (3.2 mm) greater than the max width of the joint. The foam shall have a nominal density of 1.7 pcf. The foam is to be placed in the joint above the top edge of the drywall between the deck. A layer of tape and joint compound can then be applied over the open cell backer rod.

**Joint Configuration B** — Fill Void or Cavity (Item 3C) on ceiling runner (Item 2A) is to overlap onto valley of deck a minimum of 3/8 in. (10 mm). Max separation between bottom of floor and top of gypsum board (at time of installation of joint system) is 5/8 in. (16 mm). or 3/4 in. (19 mm) when item 3C.1 is used or 1/2 in. (13mm) when 3C.1.1 is used or 3/8 in. (10mm) when item 3C.2 is utilized. The joint system is designed to accommodate a max 80 percent compression and or 30 percent extension from its installed width.

A. **Forming Material\*** — Min 4 pcf (64 kg/m3) mineral wool batt insulation cut to the shape of the fluted deck, approx 33 percent larger than the area of the flutes and compressed into the fluted area of the steel floor or roof deck above the ceiling channel.

**INDUSTRIAL INSULATION GROUP LLC — Minwool-1200 Safing**  
**JOHNS MANVILLE — Safing**  
**ROCK WOOL MANUFACTURING CO — Delta Safing Board**  
**ROCKWOOL MALAYSIA SDN BHD — SAFE**  
**ROCKWOOL — SAFE**



Reproduced Courtesy of Underwriters Laboratories, Inc.  
Created or Revised: July 19, 2022

CEMCO® | P: (800) 775-2362 | F: (626) 330-7598 | www.cemcosteel.com



**SYSTEM NO. HW-D-0524**

ANSI/UL2079  
Assembly Ratings – 1 and 2 Hr

Nominal Joint Width - See Chart, Section 3  
Class II or III Movement Capabilities - See Chart, Section 3

L Rating at Ambient - Less Than 1 or 2.1  
CFM/Lin Ft (See item 3)  
L Rating at 400°F - Less Than 1 CFM/Lin Ft

**A1.1 Forming Material\*-Plugs** — (Not Shown) As an alternate to the forming material Configuration B (Item 3A), mineral wool plugs preformed to the shape of the fluted floor units or roof deck, may be used within the flutes. Plugs shall be friction fitted to completely fill the flutes.

**ROCK WOOL MANUFACTURING CO** — Delta Deck Plugs

**B. Steel Straps** — Min 2 in. (51 mm) wide 16 MSG galv steel straps cut to a length, length to span the flute and overlap the adjacent valleys of fluted floor units by 1-1/2 in. (38 mm). Straps spaced max 24 in. (610 mm) O.C. and fastened to floor assembly with using one min 1-1/4 in. long steel fastener at each end.

**Joint Configuration C**

**D. Fill, Void or Cavity Material\*** — (Not Shown) when item 3C.1 is utilized a min 1/16 in. (1.6 mm) dry thickness (min 1/8 in. or 3.2 mm wet thickness) of fill material sprayed or brushed on one side of the joint system, completely covering item 3B mineral wool forming material of the joint system and overlapping a min of 1/2 in. (13 mm) onto the steel deck and item 3A.1 DDA on one side of the wall.

**HILTI CONSTRUCTION CHEMICALS, DIV OF HILTI INC** — CP672 Firestop Spray or CFS-SP WB. Firestop Joint Spray  
**SPECIFIED TECHNOLOGIES INC** — SpecSeal AS200 Elastomeric Spray

**E. Packing Material** — (Not Shown) - When item 3A1, 3A1.1 or 3A2 is used a continuous length of open cell polyurethane foam with a nominal diameter of 1/8 in. (3.2 mm) greater than the max width of the joint. The foam shall have a nominal density of 1.7 pcf. The foam is to be placed in the joint above the top edge of the drywall between the deck. Any splices are to be tightly butted. A layer of tape and joint compound can then be applied over the open cell foam. Backer rod is not required with item 3A1.2

**When using DDA and Item 3D or Fire Gasket the L Rating at ambient and at 400 °F is less than 1 CFM/ft2.**

**\* Indicates such products shall bear the UL or cUL Certification Mark for jurisdictions employing the UL or cUL Certification (such as Canada), respectively.**

The appearance of a company's name or product in this database does not in itself assure that products so identified have been manufactured under UL's Follow-Up Service. Only those products bearing the UL Mark should be considered to be Certified and covered under UL's Follow-Up Service. Always look for the Mark on the product.

UL permits the reproduction of the material contained in the Online Certification Directory subject to the following conditions: 1. The Guide Information, Assemblies, Constructions, Designs, Systems, and/or Certifications (files) must be presented in their entirety and in a non-misleading manner, without any manipulation of the data (or drawings). 2. The statement "Reprinted from the Online Certifications Directory with permission from UL" must appear adjacent to the extracted material. In addition, the reprinted material must include a copyright notice in the following format: "© 2021 UL LLC"



Reproduced Courtesy of Underwriters Laboratories, Inc.  
Created or Revised: July 19, 2022

CEMCO® | P: (800) 775-2362 | F: (626) 330-7598 | www.cemcosteel.com

