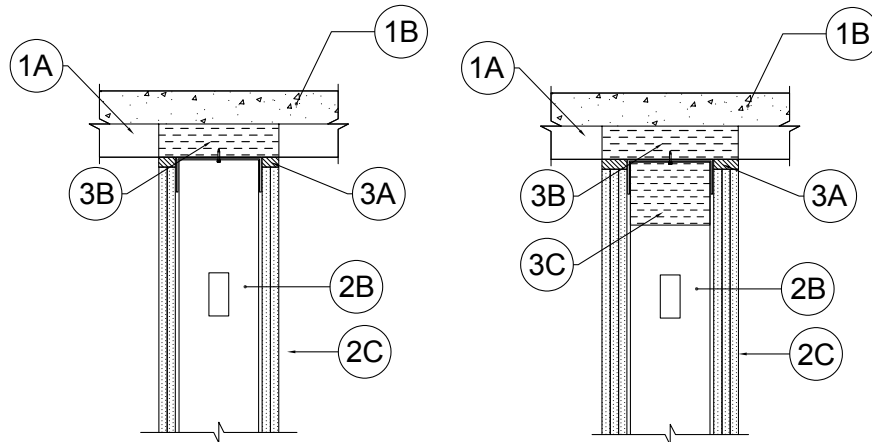


## SYSTEM NO. HW-D-0518

ANSI/UL2079  
Assembly Ratings - 1, 2 and 3 Hr

Nominal Joint Width - See Chart, Section 3  
Class II or III Movement Capabilities - See Chart, Section 3

L Rating at Ambient - Less Than 1 CFM/Lin Ft  
L Rating at 400°F - Less Than 1 CFM/Lin Ft



1. **Floor Assembly** — The fire-rated fluted steel deck/concrete floor assembly shall be constructed of the materials and in the manner described in the individual D700 or D900 Series Floor-Ceiling Design in the UL Fire Resistance Directory and shall include the following construction features:

- A. **Steel Floor and Form Units\*** — Max 3 in. (76 mm) deep galv steel fluted floor units.
- B. **Concrete** — Min 2-1/2 in. (64 mm) thick reinforced concrete, as measured from the top plane of the floor units.
- C. **Spray-Applied Fire Resistive Material\*** — (Not shown) As specified in the D700 or D900 Series Floor-Ceiling Design.

**ISOLATEK INTERNATIONAL** — Type 300  
**GCP APPLIED TECHNOLOGIES INC** — Type MK-6/HY

1A. **Roof Assembly** — (Not Shown) - As an alternate to the floor assembly, a fire rated fluted steel deck roof assembly may be used. The roof shall be constructed of the materials and in the manner described in the individual P700 or P900-Series Roof- Ceiling designs in the UL Fire Resistance Directory. The hourly rating of the roof assembly shall be equal to or greater than the hourly rating of the wall assembly. The roof assembly shall include the following construction features:

- A. **Steel Roof Deck** — Max 3 in. (76 mm) deep galv steel fluted roof deck.
- B. **Roof Insulation** — Roof insulation to consist of min 2-1/4 in. (57 mm) thick poured insulating concrete, as measured from the top plane of the roof deck.
- C. **Spray-Applied Fire Resistive Material\*** — As specified in the P700 or P900 Series Floor-Ceiling Design.

**ISOLATEK INTERNATIONAL** — Type 300  
**GCP APPLIED TECHNOLOGIES INC** — Type MK-6/HY

2. **Wall Assembly** — The 1, 2 or 3 hr fire rated gypsum board/stud wall assembly shall be constructed of the materials and in the manner described in the individual U400, V400 or W400 Series Wall and Partition Design in the UL Fire Resistance Directory and shall include the following construction features:

- A. **Steel Floor and Ceiling Runners** — Floor runners of wall assembly shall consist of min No. 25 ga galv steel channels sized to accommodate steel studs (Item 2D). Floor runner to be provided with min 1-1/4 in. (32mm) flanges. The ceiling runners are provided with a fill, void or cavity material and are described in Item 3B. Ceiling runner installed perpendicular to steel deck direction and attached to steel deck with steel fasteners or welds spaced max 24 in. (610 mm) OC.
- A1. **Light Gauge Framing\*** — **Slotted Ceiling Track** — (Not Shown) - As an alternate to the Item 2A, a ceiling track consisting of galv steel channel with slotted flanges may be used when Item 3A.1 fill material is utilized. Slotted ceiling track sized to accommodate steel studs (Item 2B). Legs are to be min 1/4 in. (6 mm) longer than the maximum joint width. Attached to steel deck with steel fasteners or welds spaced max 24 in. (610 mm) OC.

**BRADY CONSTRUCTION INNOVATIONS INC, DBA SLIPTRACK SYSTEMS** — SLP-TRK  
**CALIFORNIA EXPANDED METAL PRODUCTS CO** — CST, CST 325  
**MARINO/WARE, DIV OF WARE INDUSTRIES INC** — Type SLT

## SYSTEM NO. HW-D-0518

ANSI/UL2079  
Assembly Ratings - 1, 2 and 3 Hr

Nominal Joint Width - See Chart, Section 3  
Class II or III Movement Capabilities - See Chart, Section 3

L Rating at Ambient - Less Than 1 CFM/Lin Ft  
L Rating at 400°F - Less Than 1 CFM/Lin Ft

- B. **Studs** — Steel studs to be min 3-5/8 in. (92 mm) wide. Studs cut 5/8 to 1-1/4 in (16 to 32 mm) less in length than assembly height with bottom nesting in and secured to floor runner. Steel studs nested in non-slotted ceiling runner without attachment or secured to slotted ceiling runner with No. 8 by 1/2 in. (13 mm) long wafer head steel screws at mid-height of slot.
- B1. **Framing Members – Steel Studs\*** — In lieu of Item B - Proprietary channel shaped studs, 3-5/8 in. wide spaced a max of 24 in. OC. Studs to be cut 5/8 to 1-1/4 in (16 to 32 mm) less than the assembly height with bottom nesting in and secured to floor runner. Steel studs nested in non-slotted ceiling runner without attachment or secured to slotted ceiling runner with No. 8 by 1/2 in. (13 mm) long wafer head steel screws at mid-height of exposed slot.

**CALIFORNIA EXPANDED METAL PRODUCTS CO** — ViperStud™  
**MARINO/WARE, DIV OF WARE INDUSTRIES INC** — ViperStud™

- C. **Gypsum Board\*** — Gypsum board sheets installed to a min total 5/8 in. (16 mm), 1 1/4 in. (32 mm) or 1-7/8 in. (48 mm) thickness on each side of wall for 1, 2 and 3 hr fire rated assemblies, respectively. Wall to be constructed as specified in the individual U400 or V400 Series Design in the UL Fire Resistance Directory except that a max 5/8 in. (16 mm) gap shall be maintained between the top of the gypsum board and the bottom of the floor assembly. The screws attaching the gypsum board to the studs along the top of the wall shall be located 4 to 5 in. (102 to 127 mm) down from deck at time of installation. No gypsum board attachment screws shall be driven into the ceiling runner.

**The hourly fire rating of the joint system is equal to the hourly fire rating of the wall.**

3. **Joint System** — Max separation between bottom of floor and top of gypsum board (at time of installation) is 3/8 in. (10 mm) when Item 3A is used or 3/4 in. (19 mm) when Item 3A1 is used. The joint system is designed to accommodate a 80 percent compression and or 30 percent extension from its installed width of 1/2 in. (13 mm) or less. When Item 3A1 is used the joint system is designed to accommodate 80% compression only from 3/4 in. (19 mm) installed width. When Item 3A5 is used the joint will accommodate 100 % compression/extension for nominal 1/2 in. (12 mm) gaps or compression only for nominal 1 in. (25 mm) gaps. When Item 3A6 is used the joint will accommodate 100% compression/ extension for nominal 3/4 in. (19 mm) gaps or compression only for 1-1/2 in. (38 mm) gaps. When item 3A7 is used the joint will accommodate 100% compression/extension for nominal 1/4 in. (6mm) gaps or compression only for 1/2 in. (12mm) gaps.

| Item | Product  | Max Gap | Movement           |
|------|--|---------|--------------------|
| 3A   | FAS Track 1000, 1000DL (CEMCO, MARINO/WARE)    | 3/8"    | 80% Comp 30% Ext   |
| 3A1  | DDA-1 (CEMCO)                                  | 3/4"    | 80% Comp 0% Ext    |
| 3A2  | HOTROD Type-X (CEMCO)                          | 1/2"    | 75% Comp 25% Ext   |
| 3A3  | HOTROD XL (CEMCO, MARINO/WARE, TRIM-TEX)       | 3/4"    | 80% Comp 30% Ext   |
| 3A4  | HOTROD Type-X (CEMCO)                          | 3/4"    | 80% Comp 30% Ext   |
| 3A5  | Fire Gasket 1 (CEMCO, MARINO/WARE, TRIM-TEX)   | 1/2"    | 100% Comp 100% Ext |
| 3A5  | Fire Gasket 1 (CEMCO, MARINO/WARE, TRIM-TEX)   | 1"      | 100% Comp 0% Ext   |
| 3A6  | Fire Gasket 1.5 (CEMCO, MARINO/WARE, TRIM-TEX) | 3/4"    | 100% Comp 100% Ext |
| 3A6  | Fire Gasket 1.5 (CEMCO, MARINO/WARE, TRIM-TEX) | 1-1/2"  | 100% Comp 0% Ext   |
| 3A7  | Fire Gasket 0.5 (CEMCO, MARINO/WARE, TRIM-TEX) | 1/4"    | 100% Comp 100% Ext |
| 3A7  | Fire Gasket 0.5 (CEMCO, MARINO/WARE, TRIM-TEX) | 1/2"    | 100% Comp 0% Ext   |

- B. **Forming Material\*** — Min 4 in. (102 mm) thick min 4 pcf (64 kg/m3) mineral wool batt insulation cut to friction fit 33 percent compression in width and installed into flutes above ceiling runner. In joints with a 3 hr Assembly rating, the mineral wool batt insulation shall be cut to a width not less than the full wall thickness such that the entire fluted area above the thickness of the wall is filled with mineral wool. When gaps are present above the ceiling runner at steel deck seams or embossments in the steel deck valleys, a sliver of mineral wool batt insulation shall be used to seal each gap above the ceiling runner on both sides of wall to attain L Ratings.

**INDUSTRIAL INSULATION GROUP LLC** — Minwool-1200 Safing  
**JOHNS MANVILLE** — Safing  
**ROCK WOOL MANUFACTURING CO** — Delta Safing Board  
**ROCKWOOL MALAYSIA SDN BHD** — SAFE  
**ROCKWOOL** — SAFE  
**THERMAFIBER INC** — SAF



Reproduced Courtesy of Underwriters Laboratories, Inc.  
Created or Revised: July 09, 2021

CEMCO® | P: (800) 775-2362 | F: (626) 330-7598 | www.cemcosteel.com



**SYSTEM NO. HW-D-0518**ANSI/UL2079  
Assembly Ratings - 1, 2 and 3 HrNominal Joint Width - See Chart, Section 3  
Class II or III Movement Capabilities - See Chart, Section 3L Rating at Ambient - Less Than 1 CFM/Lin Ft  
L Rating at 400°F - Less Than 1 CFM/Lin Ft

**B1. Forming Material\*** – Plugs — (Not Shown) — As an alternate to the forming material (Item 3B), mineral wool plugs preformed to the shape of the fluted floor units, may be used within the flutes. Plugs shall be friction fit to completely fill the flutes above the ceiling channel. The plugs shall project beyond each side of the ceiling runner, flush with wall surfaces. Additional forming material, described in Item 3B, to be used in conjunction with the plugs to fill the gap between the top of gypsum board and bottom of steel floor units or roof deck. Plugs to be used in max 2 hr fire rated wall assemblies.

**ROCK WOOL MANUFACTURING CO** — Delta Deck Plug

**B2. Forming Material\*** - Metal Clip — (Not Shown) As an alternate to the forming material (Item 3B), a 20 ga. galvanized preformed U-shaped clip sized to fit within the flute void with forming material (Item 3B), 4 pcf (64 kg/m<sup>3</sup>) mineral wool installed between the flanges of the metal clip and compressed to 33%. The galvanized clips and mineral wool to be installed in flute voids on both sides of the wall.

**CALIFORNIA EXPANDED METAL PRODUCTS CO** — Flute Shield

**C. Forming Material\*** — Required for joints with an Assembly Rating of 3 hr. Min 2 in. (51 mm) thickness of min 4 pcf (64 kg/m<sup>3</sup>) mineral wool batt insulation cut to a width 25 percent greater than width of ceiling runner and tightly installed into ceiling runner between legs of track.

**INDUSTRIAL INSULATION GROUP LLC** — Minwool-1200 Safing

**ROCK WOOL MANUFACTURING CO** — Delta Safing Board

**ROCKWOOL MALAYSIA SDN BHD** — SAFE

**ROCKWOOL** — SAFE

**THERMAFIBER INC** — SAF

**D. Fill, Void or Cavity Material\*** — Sealant — (Not Shown) - As an alternate to the slivers of mineral wool batt insulation in Item 3B, a dab of sealant may be used to seal each gap above the ceiling runner on both sides of wall to attain L Ratings.

**UNITED STATES GYPSUM CO** — Type AS

**E. Fill, Void or Cavity Material\*** — (Optional, Not Shown) when item 3A is utilized a min 1/16 in. (1.6 mm) dry thickness (min 1/8 in. or 3.2 mm wet thickness) of fill material sprayed or brushed on one side of the joint system, completely covering mineral wool forming material of the joint system and overlapping a min of 1/2 in. (13 mm) onto the steel deck and item 3A on one side of the wall.

**HILTI CONSTRUCTION CHEMICALS, DIV OF HILTI INC** — CP672 Firestop Spray or CFS-SP WB. Firestop Joint Spray

**SPECIFIED TECHNOLOGIES INC** — SpecSeal AS200 Elastomeric Spray

**UNITED STATES GYPSUM CO** — Type AS

**F. Packing Material** — (Not Shown) - When A3 or 3A.1 is used, a continuous length of open cell polyurethane foam with a nominal diameter of 1/8 in. (3.2 mm) greater than the max width of the joint. The foam shall have a nominal density of 1.7 pcf. The foam is to be placed in the joint above the top edge of the drywall between the deck. Any splices are to be tightly butted. A layer of tape and joint compound can then be applied over the open cell foam.

**\* Indicates such products shall bear the UL or cUL Certification Mark for jurisdictions employing the UL or cUL Certification (such as Canada), respectively.**

The appearance of a company's name or product in this database does not in itself assure that products so identified have been manufactured under UL's Follow-Up Service. Only those products bearing the UL Mark should be considered to be Certified and covered under UL's Follow-Up Service. Always look for the Mark on the product.

UL permits the reproduction of the material contained in the Online Certification Directory subject to the following conditions: 1. The Guide Information, Assemblies, Constructions, Designs, Systems, and/or Certifications (files) must be presented in their entirety and in a non-misleading manner, without any manipulation of the data (or drawings). 2. The statement "Reprinted from the Online Certifications Directory with permission from UL" must appear adjacent to the extracted material. In addition, the reprinted material must include a copyright notice in the following format: "© 2021 UL LLC"



Reproduced Courtesy of Underwriters Laboratories, Inc.  
Created or Revised: July 09, 2021

CEMCO® | P: (800) 775-2362 | F: (626) 330-7598 | www.cemcosteel.com

Page 3 of 3



HW-D-0518