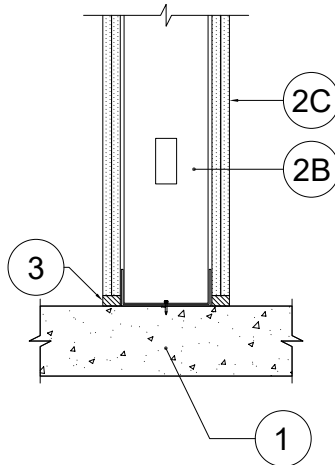


SYSTEM NO. BW-S-0024

ANSI/UL2079
Assembly Ratings - 1 and 2 Hr

Nominal Joint Width - See Chart, Section 3
Class II or III Movement Capabilities - See Chart, Section 3

L Rating at Ambient - Less Than 1 CFM/Lin Ft
L Rating at 400°F - Less Than 1 CFM/Lin Ft



1. **Floor Assembly** — Min 4 1/2 in. (114 mm) thick steel reinforced lightweight or normal weight (100-150 pcf or 1600-2400 kg/m³) structural concrete. Floor may also be constructed of any min 6 in. thick UL Classified hollow-core **Precast Concrete Units***. See **Precast Concrete Units (CFTV)** category in the Fire Resistance Directory for names manufacturers.

The hourly fire rating of the floor assembly shall be equal or greater than the hourly fire rating of the wall assembly.

- A. **Steel Floor and Form Units*** — Max 3 in. (76 mm) deep galv steel fluted floor units.

2. **Wall Assembly** — The 1 or 2 hr fire rated gypsum board/stud wall assembly shall be constructed of the materials and in the manner described in the individual U300, U400, V400 or W400 Series Wall and Partition Design in the UL Fire Resistance Directory and shall include the following construction features:

- A. **Floor and Ceiling Runners** — Floor runners of wall assembly shall consist of nom 2 by 4 in. (51 by 102 mm) wood or min No. 25 ga galv steel channels sized to accommodate steel studs (Item 2B). Steel floor runner to be provided with min 1-1/4 in. (32mm) legs. Ceiling runners are provided with a fill, void or cavity material and are described in Item 3A.
- B. **Studs** — Nom 2 by 4 in. (51 by 102 mm) wood studs or steel studs. Steel studs to be min 2-1/2 in. (64 mm) wide. Studs cut 1/2 to 3/4 in. (13 to 19 mm) less in length than assembly height with bottom nesting in and secured to floor runner. Steel studs nested in non-slotted ceiling runner without attachment or secured to slotted ceiling runner with No. 8 by 1/2 in. (13 mm) long wafer head steel screws at mid-height of exposed slot.
- B1. **Framing Members - Steel Studs*** — In lieu of Item B - Proprietary channel shaped studs, 3-5/8 in. wide spaced a max of 24 in. OC. Studs to be cut 1/2 to 3/4 in (13 to 19 mm) less than the assembly height with bottom nesting in and secured to floor runner. For direct attachment of gypsum board only. Steel studs nested in non-slotted ceiling runner without attachment or secured to slotted ceiling runner with No. 8 by 1/2 in. (13 mm) long wafer head steel screws at mid-height of exposed slot.

CALIFORNIA EXPANDED METAL PRODUCTS CO — ViperStud™
MARINO/WARE, DIV OF WARE INDUSTRIES INC — ViperStud™

- C. **Gypsum Board*** — Gypsum board sheets installed to a min total 5/8 in. (16 mm) or 1 1/4 in. (32 mm) thickness on each side of wall for 1 and 2 hr fire rated assemblies, respectively. Wall to be constructed as specified in the individual U400 or V400 Series Design in the UL Fire Resistance Directory except that a max 1/2 in. (13 mm) gap shall be maintained between the top of the gypsum board and the bottom of the floor assembly. The screws attaching the gypsum board to the studs along the bottom of the wall shall be located 4 to 5 in. (102 to 127 mm) up from floor at time of installation. No gypsum board attachment screws shall be driven into the floor runner.

The hourly fire rating of the joint system is equal to the hourly fire rating of the wall.

SYSTEM NO. BW-S-0024

ANSI/UL2079
Assembly Ratings - 1 and 2 Hr

Nominal Joint Width - See Chart, Section 3
Class II or III Movement Capabilities - See Chart, Section 3

L Rating at Ambient - Less Than 1 CFM/Lin Ft
L Rating at 400°F - Less Than 1 CFM/Lin Ft

3. Joint System — Max separation between bottom of floor and top of gypsum board (at time of installation) is 1/2 in. (13 mm) unless A7 is being used then the max separation is 3/8 in. (9.5 mm).

Item	Product	Max Gap	Movement
3A1	FAS Track BT 1000 (CEMCO, MARINO/WARE)	1/2"	N/A
3A2	DDA-1 (CEMCO)	1/2"	N/A
3A3	HOTROD Type-X (CEMCO)	1/2"	N/A
3A4	HOTROD XL (CEMCO, MARINO/WARE, TRIM-TEX)	1/2"	N/A
3A5	FIRE BEAD (CEMCO, MARINO/WARE, TRIM-TEX)	1/2"	N/A
3A1	FAS Track BT 1000 (CEMCO, MARINO/WARE)	1/2"	N/A
3A6	Fire Gasket 0.5 (CEMCO, MARINO/WARE, TRIM-TEX)	1/2"	N/A
3A7	Super Seal-X (CEMCO)	3/8"	N/A

*** Indicates such products shall bear the UL or cUL Certification Mark for jurisdictions employing the UL or cUL Certification (such as Canada), respectively.**

The appearance of a company's name or product in this database does not in itself assure that products so identified have been manufactured under UL's Follow-Up Service. Only those products bearing the UL Mark should be considered to be Certified and covered under UL's Follow-Up Service. Always look for the Mark on the product.

UL permits the reproduction of the material contained in the Online Certification Directory subject to the following conditions: 1. The Guide Information, Assemblies, Constructions, Designs, Systems, and/or Certifications (files) must be presented in their entirety and in a non-misleading manner, without any manipulation of the data (or drawings). 2. The statement "Reprinted from the Online Certifications Directory with permission from UL" must appear adjacent to the extracted material. In addition, the reprinted material must include a copyright notice in the following format: "© 2021 UL LLC"



Reproduced Courtesy of Underwriters Laboratories, Inc.
Created or Revised: August 31, 2021

CEMCO® | P: (800) 775-2362 | F: (626) 330-7598 | www.cemcosteel.com

