



Expanding Your Solutions

**Corporate Headquarters**  
13191 Crossroads Pkwy N., Ste 325  
City of Industry, CA 91746  
Phone: 800.775.2362  
Fax: 626.330.7598

**Manufacturing Facilities**  
City of Industry, CA  
Denver, CO  
Ft. Worth, TX  
Pittsburg, CA

**Structural Engineering/Design**  
1001-A Pittsburgh Antioch Hwy  
Pittsburg, CA 94565  
Phone: 800.775.2362  
Fax: 626.330.7598

**Technical Services**  
13191 Crossroads Pkwy N., Ste 325  
City of Industry, CA 91746  
Phone: 800.416.2278  
Fax: 626.249.5004

# "CST" BRAND SLOTTED TRACK, 68 MIL WITH STD 2-1/2" STAGGERED WEB SLOTS

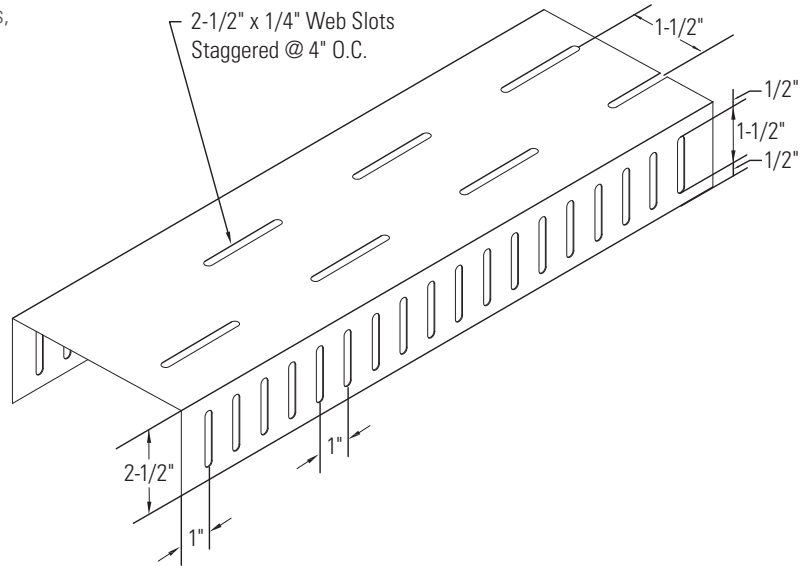
## Geometric Properties

"CST" brand slotted slip tracks with drift slots (CST-W) are fabricated with 2-1/2", 3-5/8", 4", 6", and 8" web depths. All CEMCO CST brand slotted slip tracks are produced from minimum G40 coated steel for 30 and 33 mil products, and minimum G60 for 43, 54, & 68 mil products. G90 is available upon request.

## Steel Thickness

Mil Thickness	Design Thickness (in.) <sup>1</sup>	Minimum Thickness (in.) <sup>1,2</sup>	Color Code painted on ends
68 <sup>3</sup>	0.0713 (1.81 mm)	0.0677 (1.72 mm)	Orange

1. Uncoated Steel Thickness. Thickness is for carbon sheet steel.
2. Minimum thickness represents 95% of the design thickness and is the minimum acceptable thickness.
3. Not available in 2-1/2" web depth.



## ASTM's & Code Standards

- ASTM A1003, A653, A924, C645, C754, C955
- IBC: 2012, 2015, 2018, 2021
- CBC: 2013, 2016, 2019
- ICC-ES ESR-2012

## LEED v4 for Building and Design Construction

- MR Prerequisite: Construction and Demolition Waste Management Planning.
- MR Credit: Construction and Demolition Waste Management.
- MR Credit: Building Product Disclosure and Optimization – Sourcing of Raw Materials, Option 2.
- MR Credit: Building Product Disclosure and Optimization – Environmental Product Declarations, Options 1 & 2.
- MR Credit: Building Product Disclosure and Optimization – Material Ingredients, Option 1.
- MR Credit: Building Life-Cycle Impact Reduction, Option 4.

## CEMCO cold-formed steel framing products contain 30% to 37% recycled steel.

- Total Recycled Content: 36.9%
- Post-Consumer: 19.8%
- Pre-Consumer: 14.4%

## Technical Services

Technical Services: 800.416.2278  
Structural Engineering/Design: 925.473.9340  
www.cemcosteel.com



This technical information reflects the most current information available and supersedes any and all previous publications effective July 14, 2022.

07-14-22 AT