



Expanding Your Solutions

Corporate Headquarters
13191 Crossroads Pkwy N., Ste 325
City of Industry, CA 91746
Phone: 800.775.2362
Fax: 626.330.7598

Manufacturing Facilities
City of Industry, CA
Denver, CO
Ft. Worth, TX
Pittsburg, CA

Structural Engineering/Design
1001-A Pittsburgh Antioch Hwy
Pittsburg, CA 94565
Phone: 800.775.2362
Fax: 626.330.7598

Technical Services
13191 Crossroads Pkwy N., Ste 325
City of Industry, CA 91746
Phone: 800.416.2278
Fax: 626.249.5004

"CST" BRAND SLOTTED TRACK, 33 MIL WITH STD 2-1/2" STAGGERED WEB SLOTS

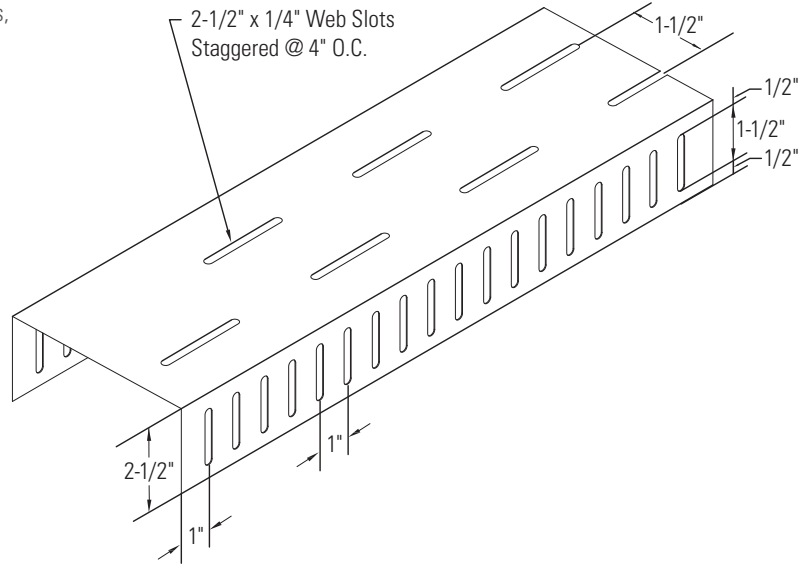
Geometric Properties

"CST" brand slotted slip tracks with drift slots (CST-W) are fabricated with 2-1/2", 3-5/8", 4", 6", and 8" web depths. All CEMCO CST brand slotted slip tracks are produced from minimum G40 coated steel for 30 and 33 mil products, and minimum G60 for 43, 54, & 68 mil products. G90 is available upon request.

Steel Thickness

Mil Thickness	Design Thickness (in.) ¹	Minimum Thickness (in.) ^{1,2}	Color Code painted on ends
33	0.0346 (0.88 mm)	0.0329 (0.84 mm)	White

1. Uncoated Steel Thickness. Thickness is for carbon sheet steel.
2. Minimum thickness represents 95% of the design thickness and is the minimum acceptable thickness.
3. Not available in 2-1/2" web depth.



ASTM's & Code Standards

- ASTM A1003, A653, A924, C645, C754, C955
- IBC: 2012, 2015, 2018, 2021
- CBC: 2013, 2016, 2019
- ICC-ES ESR-2012

LEED v4 for Building and Design Construction

- MR Prerequisite: Construction and Demolition Waste Management Planning.
- MR Credit: Construction and Demolition Waste Management.
- MR Credit: Building Product Disclosure and Optimization – Sourcing of Raw Materials, Option 2.
- MR Credit: Building Product Disclosure and Optimization – Environmental Product Declarations, Options 1 & 2.
- MR Credit: Building Product Disclosure and Optimization – Material Ingredients, Option 1.
- MR Credit: Building Life-Cycle Impact Reduction, Option 4.

CEMCO cold-formed steel framing products contain 30% to 37% recycled steel.

- Total Recycled Content: 36.9%
- Post-Consumer: 19.8%
- Pre-Consumer: 14.4%

Technical Services

Technical Services: 800.416.2278
Structural Engineering/Design: 925.473.9340
www.cemcosteel.com



This technical information reflects the most current information available and supersedes any and all previous publications effective July 14, 2022.

07-14-22 AT