



Expanding Your Solutions

**Corporate Headquarters**  
13191 Crossroads Pkwy N., Ste 325  
City of Industry, CA 91746  
Phone: 800.775.2362  
Fax: 626.330.7598

**Manufacturing Facilities**  
City of Industry, CA  
Denver, CO  
Ft. Worth, TX  
Pittsburg, CA

**Structural Engineering/Design**  
1001-A Pittsburgh Antioch Hwy  
Pittsburg, CA 94565  
Phone: 800.775.2362  
Fax: 626.330.7598

**Technical Services**  
13191 Crossroads Pkwy N., Ste 325  
City of Industry, CA 91746  
Phone: 800.416.2278  
Fax: 626.249.5004

# "CST" BRAND SLOTTED TRACKS, 30 MIL

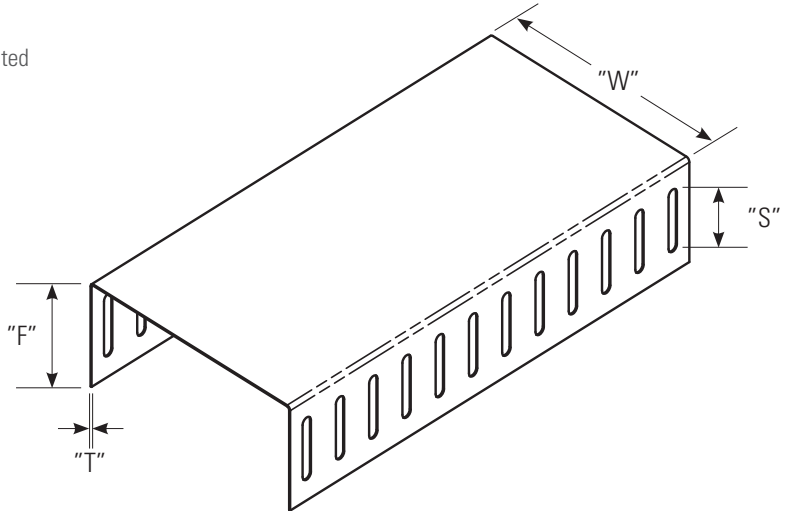
## Geometric Properties

"CST" brand slotted slip tracks are fabricated in following web depths and thicknesses. All CEMCO CST brand slotted slip tracks are produced from G40 coated steel for 30 and 33 mil products. G60 is available upon request. All others are manufactured with G60 coating. G90 is available upon request.

## Steel Thickness

Mil Thickness	Design Thickness (in.) <sup>1</sup>	Minimum Thickness (in.) <sup>1,2</sup>	Color Code Painted on ends
30	0.0312 (0.79 mm)	0.0296 (0.75 mm)	Pink

1. Uncoated Steel Thickness. Thickness is for carbon sheet steel.
2. Minimum thickness represents 95% of the design thickness and is the minimum acceptable thickness with 2012 AISI supplement.



## CEMCO Slotted Track Configurations

"W" Web Size (in.)	"F" Flange Size (in.)	"S" Slot Size (in.)	"T" Steel Thickness (mil)
2-1/2, 3-5/8, 4, 6 & 8	2-1/2	1-1/2	30, 33, 43, 54 & 68
2-1/2, 3-5/8, 4, 6 & 8	3	1-1/2*	33, 43, 54 & 68
2-1/2, 3-5/8, 4, 6 & 8	3	2	54 & 68
3-5/8, 4, 6 & 8	3-1/4	2*	54 & 68

\* Slots are 1" down from top of track

## ASTM's & Code Standards

- ASTM A1003, A653, A924, C645, C754, C955
- ICC-ESR 2012
- IBC: 2012, 2015, 2018, 2021
- CBC: 2013, 2016, 2019
- AISI (30 Mil): S100, S220
- AISI (33 Mil to 68 Mil): S100, S200, S240

## LEED v4 for Building and Design Construction

- MR Prerequisite: Construction and Demolition Waste Management Planning.
- MR Credit: Construction and Demolition Waste Management.
- MR Credit: Building Product Disclosure and Optimization – Sourcing of Raw Materials, Option 2.
- MR Credit: Building Product Disclosure and Optimization – Environmental Product Declarations, Options 1 & 2.
- MR Credit: Building Product Disclosure and Optimization – Material Ingredients, Option 1.
- MR Credit: Building Life-Cycle Impact Reduction, Option 4.

## CEMCO cold-formed steel framing products contain 30% to 37% recycled steel.

- Total Recycled Content: 36.9%
- Post-Consumer: 19.8%
- Pre-Consumer: 14.4%

## Technical Services

Technical Services: 800.416.2278  
Structural Engineering/Design: 925.473.9340  
www.cemcosteel.com



This technical information reflects the most current information available and supersedes any and all previous publications effective August 29, 2023.

08-29-23 AT