



Expanding Your Solutions

**Corporate Headquarters**

13191 Crossroads Pkwy N., Ste 325  
City of Industry, CA 91746  
Phone: 800.775.2362  
Fax: 626.330.7598

**Manufacturing Facilities**

City of Industry, CA  
Denver, CO  
Ft. Worth, TX  
Pittsburg, CA

**Structural Engineering/Design**

1001-A Pittsburgh Antioch Hwy  
Pittsburg, CA 94565  
Phone: 800.775.2362  
Fax: 626.330.7598

**Technical Services**

13191 Crossroads Pkwy N., Ste 325  
City of Industry, CA 91746  
Phone: 800.416.2278  
Fax: 626.249.5004

# Z PURLIN

CEMCO offers an extensive range of Z Purlins, specializing in standard and large format sizes.

**All Z Purlins can be customized to your requirements:**

- Depth
- Flange
- Gauge
- Material Finish

**ASTM & Code Standards:**

- ASTM A653/653M, A924/A924M, A1003/A1003M, C954, and C1007
- IBC: 2012, 2015, 2018
- CBC: 2013, 2016
- AISI: S100, S200, S240

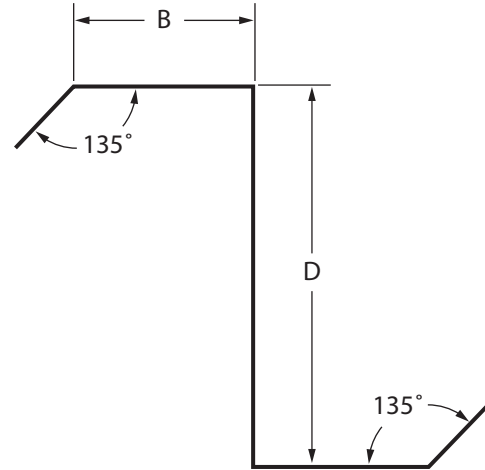
**CEMCO Cold-formed Steel Framing**

**Products Recycled Steel:**

- Total Recycled Content: 36.9%
- Post-Consumer: 19.8%
- Pre-Consumer: 14.4%

**LEED v4 for Building and Design Construction:**

- MR Prerequisite: Construction and Demolition Waste Management Planning.
- MR Credit: Construction and Demolition Waste Management.
- MR Credit: Building Product Disclosure and Optimization—Sourcing of Raw Materials, Option 2.
- MR Credit: Building Product Disclosure and Optimization—Environmental Product Declarations, Options 1 & 2.
- MR Credit: Building Product Disclosure and Optimization—Material Ingredients, Option 1.
- MR Credit: Building Life-Cycle Impact Reduction, Option 4.



**Technical Services**

Technical Services: 800.416.2278  
Structural Engineering/Design: 925.473.9340  
www.cemcosteel.com

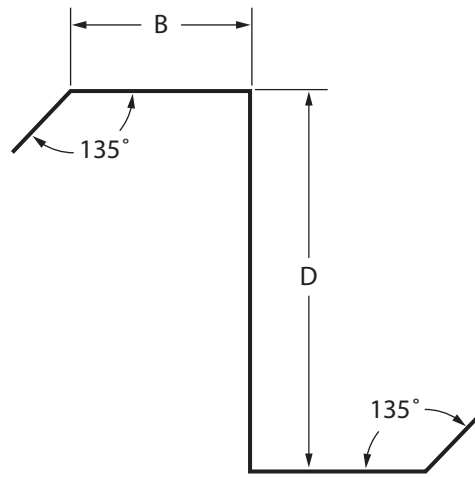
— PROUD MEMBERS OF —



This technical information reflects the most current information available and supersedes any and all previous publications effective January 31, 2022.

01-31-22 AT

D x B	Lip (in)	Mils	Design Thickness (in)	Price List (\$/ft)	Fy (KSI)	Gross						Effective Properties				Torsional Properties					
						Area (in <sup>2</sup> )	Weight (lb/ft)	Ix (in <sup>4</sup> )	Sx (in <sup>3</sup> )	Rx (in)	Iy (in <sup>4</sup> )	Ry (in)	Ix (in <sup>4</sup> )	Sx (in <sup>3</sup> )	Ma (in-k)	Vag (lb)	Jx1000 (in <sup>4</sup> )	Cw (in <sup>6</sup> )	Xo (in)	Ro (in)	Beta
4 x 2	1	54	0.0566	4.02	50	0.550	1.87	1.416	0.708	1.604	0.863	1.252	1.402	0.696	13.75	2603	0.588	2.357	0.000	2.035	1.000
4 x 2	1	68	0.0713	5.03	50	0.688	2.34	1.753	0.877	1.596	1.070	1.247	1.749	0.872	26.12	4871	1.166	2.894	0.000	2.026	1.000
4 x 2 1/2	11/16	54	0.0566	4.18	50	0.572	1.94	1.572	0.786	1.659	1.104	1.390	1.388	0.638	19.11	3372	0.610	2.649	0.000	2.164	1.000
4 x 2 1/2	11/16	68	0.0713	5.23	50	0.715	2.43	1.949	0.975	1.651	1.370	1.384	1.771	0.827	24.76	4871	1.211	3.254	0.000	2.155	1.000
4 x 2 1/2	11/16	97	0.1017	7.34	50	1.005	3.42	2.689	1.344	1.636	1.895	1.374	2.630	1.290	38.63	6658	3.463	4.400	0.000	2.136	1.000
6 x 2 1/2	1	54	0.0566	5.26	50	0.720	2.45	4.149	1.383	2.400	1.421	1.405	3.824	1.210	36.22	2822	0.769	8.680	0.000	2.781	1.000
6 x 2 1/2	1	68	0.0713	6.59	50	0.902	3.07	5.163	1.721	2.392	1.766	1.399	4.967	1.612	48.27	5350	1.529	10.720	0.000	2.772	1.000
6 x 2 1/2	1	97	0.1017	9.29	50	1.272	4.32	7.178	2.393	2.376	2.450	1.388	7.178	2.393	71.63	10472	4.384	14.665	0.000	2.752	1.000
6 x 3	1	54	0.0566	5.68	50	0.777	2.64	4.649	1.550	2.446	2.173	1.673	4.143	1.284	38.44	2822	0.829	12.637	0.000	2.964	1.000
6 x 3	1	68	0.0713	7.12	50	0.973	3.31	5.789	1.930	2.439	2.706	1.667	5.328	1.680	50.29	5350	1.649	15.633	0.000	2.954	1.000
6 x 3	1	97	0.1017	10.04	50	1.373	4.67	8.062	2.687	2.423	3.767	1.656	7.895	2.586	77.44	10472	4.734	21.461	0.000	2.935	1.000
8 x 2 1/2	1	54	0.0566	6.09	50	0.833	2.83	8.103	2.026	3.118	1.421	1.306	7.385	1.739	52.08	2091	0.890	16.230	0.000	3.381	1.000
8 x 2 1/2	1	68	0.0713	7.64	50	1.045	3.55	10.101	2.525	3.110	1.766	1.300	9.720	2.492	70.98	4220	1.770	20.083	0.000	3.371	1.000
8 x 2 1/2	1	97	0.1017	10.78	50	1.475	5.01	14.098	3.525	3.092	2.450	1.289	14.098	3.525	105.53	10885	5.085	27.583	0.000	3.350	1.000
8 x 3 1/2	1	54	0.0566	6.92	50	0.947	3.22	9.888	2.472	3.232	3.148	1.824	8.330	1.865	55.84	2091	1.011	32.997	0.000	3.711	1.000
8 x 3 1/2	1	68	0.0713	8.68	50	1.187	4.04	12.343	3.086	3.224	3.925	1.818	10.924	2.532	75.80	4220	2.012	40.946	0.000	3.702	1.000
8 x 3 1/2	1	97	0.1017	12.27	50	1.678	5.71	17.271	4.318	3.208	5.480	1.807	15.861	3.749	112.25	10885	5.786	56.582	0.000	3.682	1.000
8 x 4	1	54	0.0566	7.33	50	1.003	3.41	10.781	2.695	3.278	4.374	2.088	8.576	1.854	46.34	2091	1.071	44.143	0.000	3.887	1.000
8 x 4	1	68	0.0713	9.20	50	1.259	4.28	13.463	3.366	3.271	5.460	2.083	11.434	2.586	77.43	4220	2.133	54.829	0.000	3.878	1.000
8 x 4	1	97	0.1017	13.01	50	1.780	6.05	18.857	4.714	3.255	7.639	2.072	16.733	3.874	115.98	10885	6.137	75.924	0.000	3.858	1.000
10 x 2 1/2	1	54	0.0566	6.92	50	0.947	3.22	13.723	2.745	3.808	1.421	1.225	11.881	2.149	64.33	1660	1.011	26.422	0.000	4.000	1.000
10 x 2 1/2	1	68	0.0713	8.68	50	1.187	4.04	17.129	3.426	3.798	1.766	1.220	16.492	3.224	96.52	3345	2.012	32.731	0.000	3.989	1.000
10 x 2 1/2	1	97	0.1017	12.27	50	1.678	5.71	23.969	4.794	3.779	2.450	1.208	23.969	4.794	143.53	9862	5.786	45.062	0.000	3.968	1.000
10 x 3 1/2	1	68	0.0713	9.72	50	1.330	4.52	20.644	4.129	3.940	3.925	1.718	17.925	3.278	98.15	3345	2.254	67.228	0.000	4.298	1.000
10 x 3 1/2	1	97	0.1017	13.76	50	1.882	6.40	28.951	5.790	3.922	5.480	1.707	26.665	5.068	151.73	9862	6.488	93.125	0.000	4.278	1.000
10 x 3 1/2	1	118	0.1242	16.70	50	2.284	7.77	34.913	6.983	3.909	6.586	1.698	33.716	6.586	197.18	16235	11.746	111.240	0.000	4.262	1.000
10 x 4	1	68	0.0713	10.24	50	1.401	4.76	22.401	4.480	3.998	5.460	1.974	18.510	3.283	98.30	3345	2.374	90.277	0.000	4.459	1.000
10 x 4	1	97	0.1017	14.50	50	1.983	6.74	31.442	6.289	3.982	7.639	1.963	28.048	5.231	156.61	9862	6.838	125.310	0.000	4.439	1.000
10 x 4	1	118	0.1242	17.61	50	2.409	8.19	37.941	7.588	3.969	9.196	1.954	35.121	6.686	200.17	16235	12.385	149.930	0.000	4.424	1.000
12 x 2 1/2	1	68	0.0713	9.72	50	1.330	4.52	26.531	4.422	4.467	1.766	1.152	23.435	3.512	105.14	2770	2.254	48.742	0.000	4.613	1.000
12 x 2 1/2	1	97	0.1017	13.76	50	1.882	6.40	37.196	6.199	4.446	2.450	1.141	35.985	5.781	173.07	8145	6.488	67.210	0.000	4.590	1.000
12 x 2 1/2	1	118	0.1242	16.70	50	2.284	7.77	44.843	7.474	4.431	2.932	1.133	44.282	7.275	217.82	14982	11.746	80.005	0.000	4.573	1.000
12 x 3 1/2	1	68	0.0713	10.90	50	31.604	4.63	31.604	5.267	4.633	3.925	1.633	26.362	3.896	116.64	2770	2.495	100.770	0.000	4.912	1.000
12 x 3 1/2	1	97	0.1017	15.24	50	2.085	7.09	44.395	7.399	4.614	5.480	1.621	41.024	6.526	195.38	8145	7.189	139.810	0.000	4.891	1.000
12 x 3 1/2	1	118	0.1242	18.51	50	2.533	8.61	53.602	8.934	4.600	6.586	1.613	51.795	8.446	252.87	14982	13.023	167.220	0.000	4.875	1.000
12 x 4	1	68	0.0713	11.28	50	1.544	5.25	34.141	5.690	4.703	5.460	1.881	27.203	3.915	117.21	2770	2.616	135.670	0.000	5.065	1.000
12 x 4	1	97	0.1017	15.99	50	2.187	7.44	47.995	7.999	4.685	7.639	1.869	43.039	6.729	201.47	8145	7.539	188.620	0.000	5.044	1.000
12 x 4	1	118	0.1242	19.42	50	2.657	9.03	57.981	9.664	4.671	9.196	1.860	1.860	8.571	256.60	14982	13.662	225.950	0.000	5.028	1.000



Technical Services

Technical Services: 800.416.2278  
 Structural Engineering/Design: 925.473.9340  
 www.cemcsteel.com

— PROUD MEMBERS OF —



This technical information reflects the most current information available and supersedes any and all previous publications effective January 31, 2022.