



Expanding Your Solutions

800.775.2362 | www.cemcosteel.com

Structural Engineering/Design: 925.473.9340

Technical Services: 800.416.2278

FireRip®

Product Description

CEMCO FireRip® is a composite steel angle incased in fire-rated drywall that provides unencumbered dynamic movement for high deflection dynamic joint applications.



- Tested with up to 100% compression and 100% extension.
- Mechanically fastened to the overhead structure at 24" on center through the horizontal attachment flange. The encased drywall leg is set against the finished drywall concealing the deflection gap at the head-of-wall.
- Provides one, two, and three-hour fire ratings from a single-layer profile.
- Install joining pieces in contact to each other.
- The butt joint may be sealed with sealant or joint compound and flat tape.
- Can be used as a retrofit to repair damaged fire-rated fill material or to replace fire-rated fill material that was improperly installed.
- Installs over the finish layer of drywall on both sides of a standard wall and on just one side (finish drywall/non-shaft side) of a shaft wall.
- Provides L-rating of less than 1CFM.
- Can be used with any UL certified deep leg or slotted leg track.

Ordering / Packaging

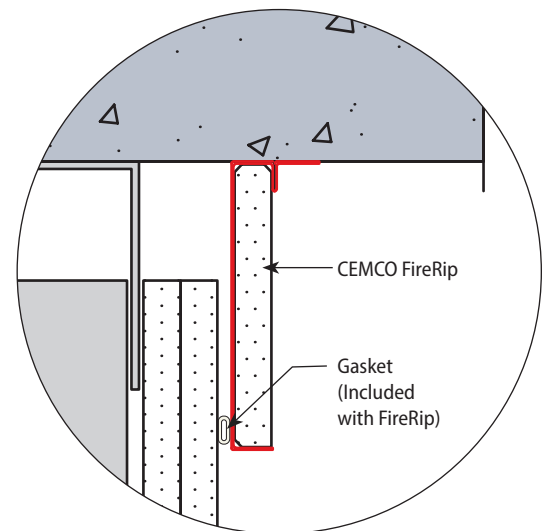
Description	Part #	Size	Length	Pcs/Ctn	Submitted for Review/Use	✓
FireRip 2	FR2	1-1/2" x 2-3/4" x 8'	8'	4	FR2	
FireRip 3	FR3	1-1/2" x 3-3/4" x 8'	8'	4	FR3	
FireRip 4	FR4	1-1/2" x 4-3/4" x 8'	8'	4	FR4	

Storage / Warranty

- When stored indoors and kept dry in the original package, FireRip will provide unlimited shelf life.
- Sustainable Building Life-Cycle Warranty – see CEMCO Firestop Product Warranty for details.

ASTM & Code Standards

- ASTM E-84
- ASTM E-90
- ASTM E-119
- ASTM E-1966
- UL 263
- UL 723
- UL 2079 5th Edition
- Cal State Fire (BML) 1451-2376:0004
- UL ER25033-01
- L-Rating (air leakage) testing for compliance with International Building Code (IBC) and Canadian Building Code (CBC).
- UL listings/approvals include: HW-D-0420; HW-D-0421; HW-D-0451; HW-D-0453; HW-D-0461; HW-D-0463; HW-D-0584; HW-D-0585; HW-D-0587; HW-D-0594; HW-D-0602; HW-D-0622; HW-D-0652; HW-D-0653
- Patent Pending**



Please refer to www.cemcosteel.com for [UL Fire Rated Assemblies](#) and [Sound Test Reports](#).



This technical information reflects the most current information available and supersedes any and all previous publications effective April 1, 2024.

04-01-24 AT



Expanding Your Solutions

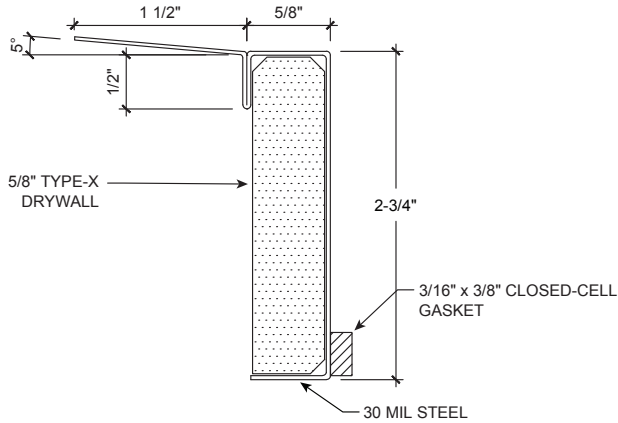
800.775.2362 | www.cemcosteel.com

Structural Engineering/Design: 925.473.9340

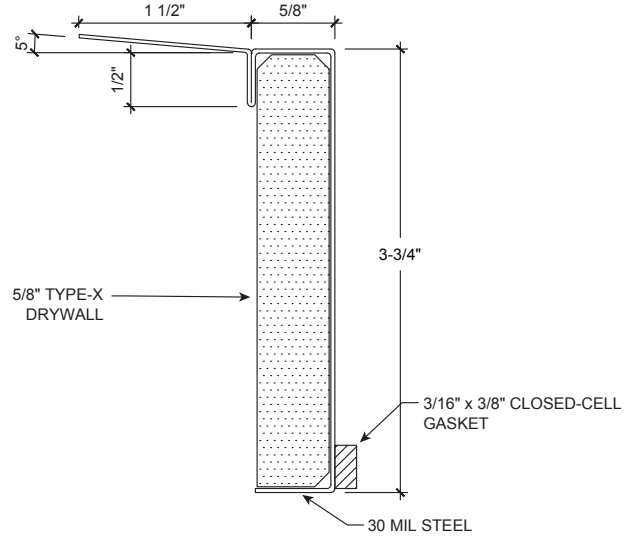
Technical Services: 800.416.2278

FireRip®

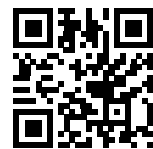
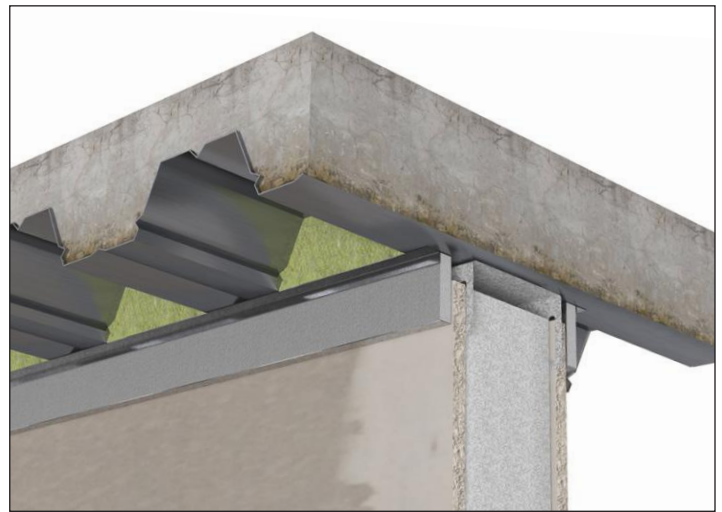
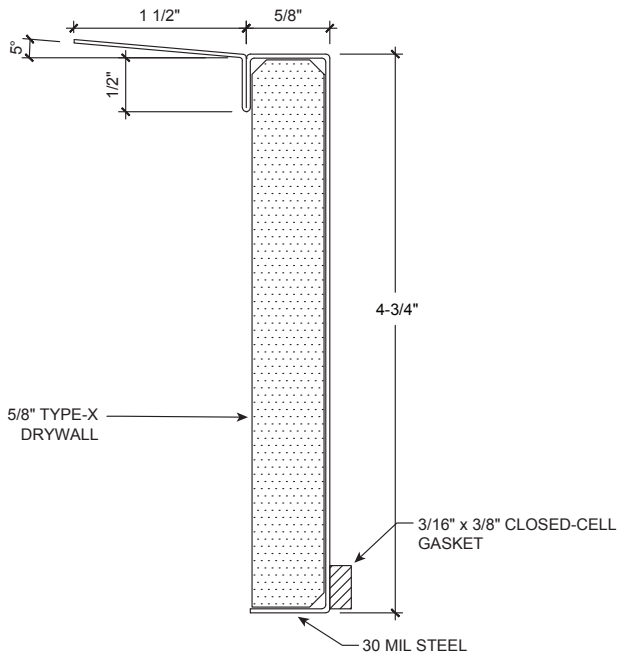
FR2



FR3



FR4



← View the installation video!

Please refer to www.cemcosteel.com for [UL Fire Rated Assemblies](#) and [Sound Test Reports](#).



This technical information reflects the most current information available and supersedes any and all previous publications effective April 1, 2024.

04-01-24 AT