



Expanding Your Solutions

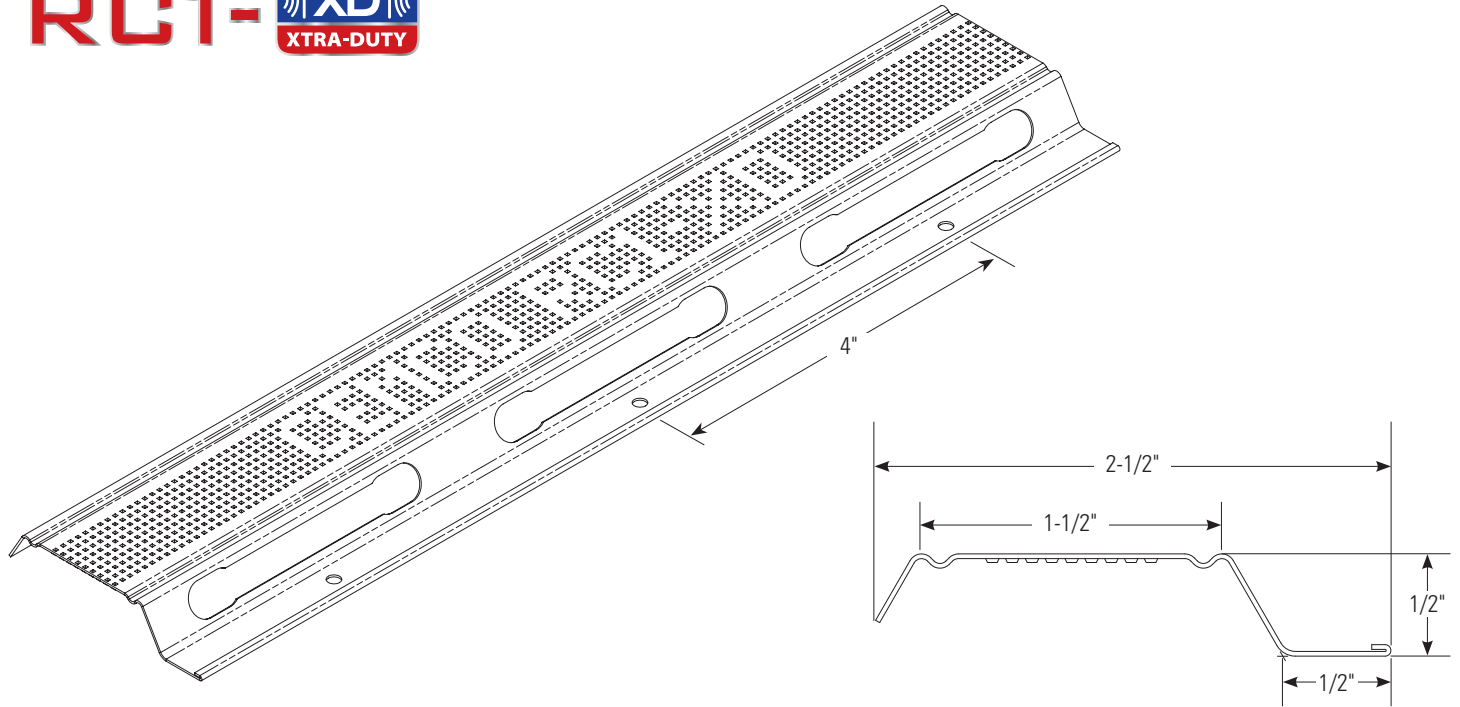
Corporate Headquarters
13191 Crossroads Pkwy N., Ste 325
City of Industry, CA 91746
Phone: 800.775.2362
Fax: 626.330.7598

Manufacturing Facilities
City of Industry, CA
Denver, CO
Ft. Worth, TX
Pittsburg, CA

Structural Engineering/Design
1001-A Pittsburgh Antioch Hwy
Pittsburg, CA 94565
Phone: 800.775.2362
Fax: 626.330.7598

Technical Services
13191 Crossroads Pkwy N., Ste 325
City of Industry, CA 91746
Phone: 800.416.2278
Fax: 626.249.5004

"RC1-XD" (XTRA-DUTY) RESILIENT CHANNEL (1/2" HEIGHT)



Geometric Properties

CEMCO's RC1-XD (Xtra-Duty) Resilient Channel is manufactured from 22 mil thick G40 steel with a large 1-1/2" top screw flange, 1/2" bottom flange for nailing/screwing into wood/steel studs providing a full 1/2" furring height. G60 coating is available upon special request.

Steel Thickness

Thickness (mil)	Design Thickness (in) ¹	Minimum Thickness (in) ²
22	0.023 (0.59 mm)	0.022 (0.56 mm)

Notes:
1. Uncoated Steel Thickness. Thickness is for carbon sheet steel.
2. Minimum Thickness represents 95% of the design thickness and is the minimum acceptable thickness delivered to the job site, based on the AISI.

ASTM & Code Standards:

- ASTM A653/A653M, A924/A924M, C645, A1003/A1003M, C754 (installation)
- IBC: 2015, 2018, 2022
- CBC: 2016, 2019, 2021
- AISI: S100, S220
- UL File R26230
- U263 Compliant

LEED v4 for Building and Design Construction

- MR Prerequisite: Construction and Demolition Waste Management Planning.
- MR Credit: Construction and Demolition Waste Management.
- MR Credit: Building Product Disclosure and Optimization – Sourcing of Raw Materials, Option 2.
- MR Credit: Building Product Disclosure and Optimization – Environmental Product Declarations, Options 1 & 2.
- MR Credit: Building Product Disclosure and Optimization – Material Ingredients, Option 1.
- MR Credit: Building Life-Cycle Impact Reduction, Option 4.

CEMCO cold-formed steel framing products contain 30% to 37% recycled steel.

- Total Recycled Content: 36.9%
- Post-Consumer: 19.8%
- Pre-Consumer: 14.4%

Technical Services

Technical Services: 800.416.2278
Structural Engineering/Design: 925.473.9340
www.cemcosteel.com



This technical information reflects the most current information available and supersedes any and all previous publications effective September 26, 2023.
09-26-23 AT