

CONCRETE SLAB OR FLUTED
METAL DECK WITH CONCRETE FILL

SPRAY
FIREPROOFING

STEEL BEAM

DEFLECTION DRIFT
ANGLE DDA-1
(ONE SIDE ONLY)

1" JOINT PROTECTION

MINERAL WOOL

5/8" TYPE "X" DRYWALL

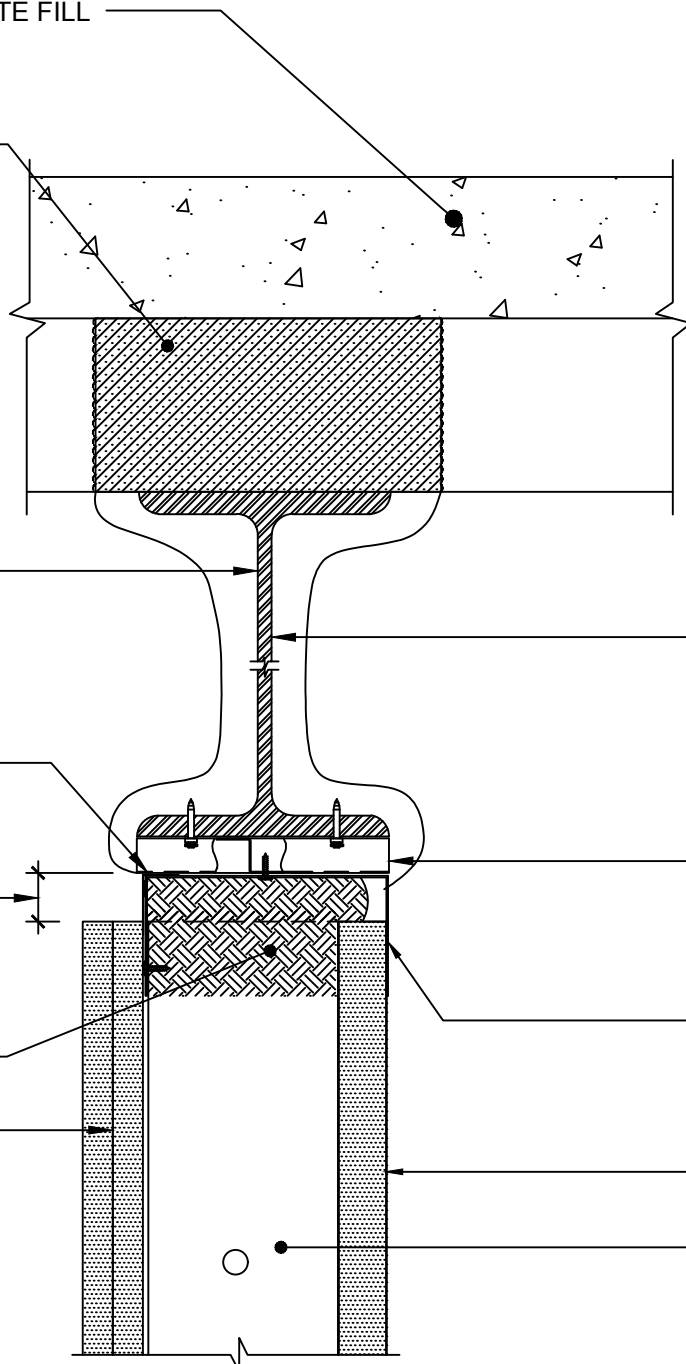
STRUCTURAL STEEL
FIREPROOFING
(THICKNESS BY OTHERS)

1/2" x 20 GA. Z-BAR OR
16 GA. CRC @ 16" O.C.

CEMCO SLOTTED
TRACK

1" SHAFT LINER

CH STUD



NOTE: SINGLE LAYER OF 5/8" TYPE "X" DRYWALL FOR 1 HOUR FIRE RATING

HW-D-0622

SHAFT WALL, DIRECTLY UNDER BEAM

ASSEMBLY RATING: 2 HR



WWW.CEMCOSTEEL.COM

263 N. Covina Lane.
City of Industry, CA 91744
PHONE (800) 775-2362
ENG. DEPT.
FAX (626) 369-7243
WWW.CEMCOSTEEL.COM

DISCLAIMER:

CEMCO assumes no liability for failure resulting from the use of its drawings, computations, or for failure resulting from the use of alternate materials, or improper application or installation. This drawing is supplied solely to assist in the selection and application of CEMCO products. This drawing is generic in nature and should not be used in design or construction without an independent evaluation by a qualified Architect or Engineer of Record. All warranties of any kind, express or implied, including but not limited to the implied warranties of merchantability and fitness for a particular purpose are disclaimed.

REVISION:

DRAWN BY: T.GARIBEKIAN
DATE: 12/12/2019
APPROVED BY: F. SESMA
DATE: 12/12/2019
SCALE: 3"=1'-0"
JOB NO.: UL DETAILS
SHEET NO.:

SD99