

FLUTED METAL DECK WITH  
CONCRETE FILL

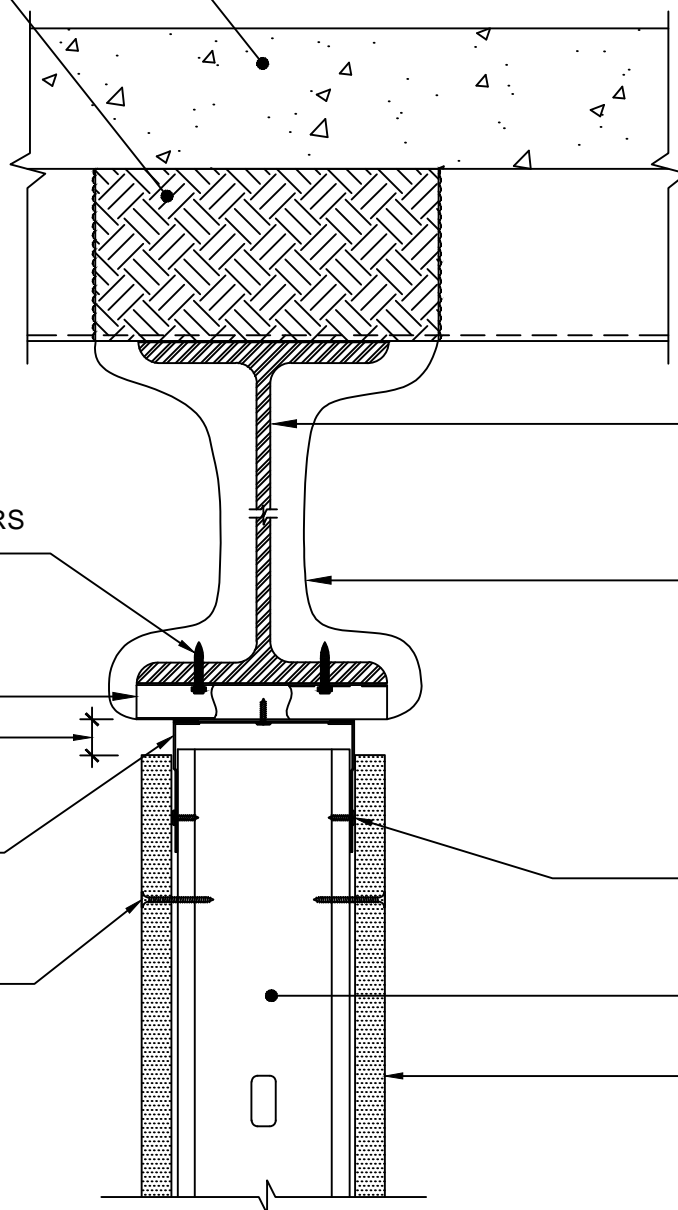
FIRE PROOFING OR  
MINERAL WOOL

TYPICAL STEEL FASTENERS  
BY DESIGN

1/2" x 20 GA. Z-BAR OR  
16 GA. CRC @ BY DESIGN  
3/4" JOINT PROTECTION

CEMCO FAS  
TRACK 1000

DRYWALL SCREW  
1" LOWER THAN  
TRACK LEG



STEEL BEAM

STRUCTURAL STEEL  
FIREPROOFING  
(THICKNESS BY OTHERS)

#8 x 1/2" FRAMING  
SCREW

METAL STUD  
BY DESIGN

5/8" TYPE  
"X" DRYWALL

## HW-D-0551

ASSEMBLY RATING: 1 HR

STANDARD WALL, CENTERED DIRECTLY UNDER BEAM



WWW.CEMCOSTEEL.COM

263 N. Covina Lane.  
City of Industry, CA 91744  
PHONE (800) 775-2362  
ENG. DEPT.  
FAX (626) 369-7243  
WWW.CEMCOSTEEL.COM

### DISCLAIMER:

CEMCO assumes no liability for failure resulting from the use of its drawings, computations, or for failure resulting from the use of alternate materials, or improper application or installation. This drawing is supplied solely to assist in the selection and application of CEMCO products. This drawing is generic in nature and should not be used in design or construction without an independent evaluation by a qualified Architect or Engineer of Record. All warranties of any kind, express or implied, including but not limited to the implied warranties of merchantability and fitness for a particular purpose are disclaimed.

### REVISION:

DRAWN BY: T.GARIBEKIAN  
DATE: 11/09/19  
APPROVED BY: F. SESMA  
DATE: 11/09/19  
SCALE: 3" = 1'-0"  
JOB NO.: UL DETAILS  
SHEET NO.:

SD55