

FLUTED METAL DECK
FILLED WITH CONCRETE

CEMCO FAS STRAP

1" NOMINAL GAP
(2" JOINT PROTECTION)

CEMCO DEFLECTION
DRIFT ANGLE - DDA
(BOTH SIDES)

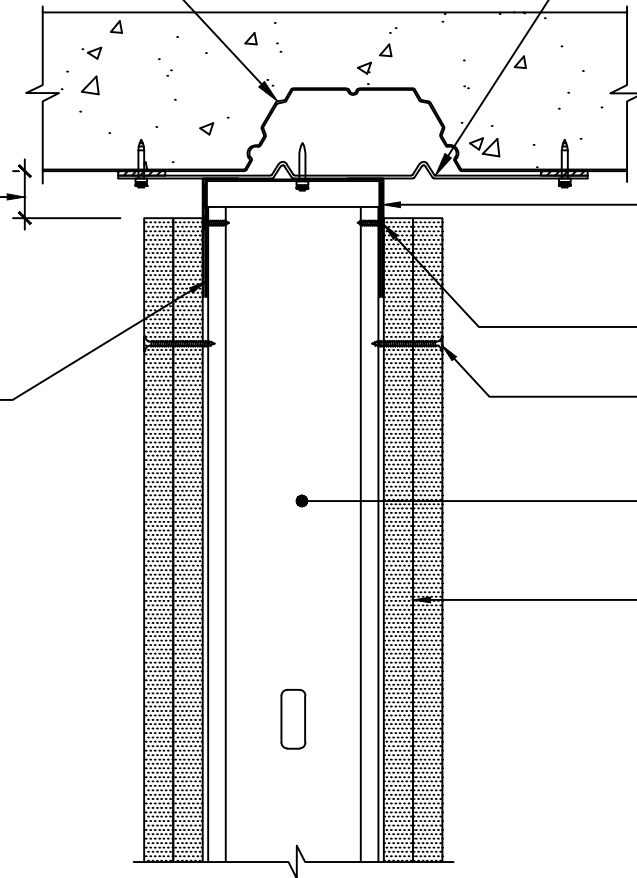
CEMCO SLOTTED
TRACK

#8 x 1/2" FRAMING
SCREW

DRYWALL SCREW
1" LOWER THAN
TRACK LEG

METAL STUD
BY DESIGN

5/8" TYPE "X" DRYWALL



HW-D-0524

ASSEMBLY RATING: 2 HR

STANDARD WALL, OFFSET & PARALLEL UNDER FLUTED DECK
CONFIGURATION "A"

DISCLAIMER:

CEMCO assumes no liability for failure resulting from the use of its drawings, computations, or for failure resulting from the use of alternate materials, or improper application or installation. This drawing is supplied solely to assist in the selection and application of CEMCO products. This drawing is generic in nature and should not be used in design or construction without an independent evaluation by a qualified Architect or Engineer of Record. All warranties of any kind, express or implied, including but not limited to the implied warranties of merchantability and fitness for a particular purpose are disclaimed.

REVISION:

DRAWN BY: T.GARIBEKIAN
DATE: 11/09/19

APPROVED BY: F. SESMA
DATE: 11/09/19

SCALE: 3" = 1'-0"

JOB NO.: UL DETAILS

SHEET NO.:

SD04



WWW.CEMCOSTEEL.COM

263 N. Covina Lane.
City of Industry, CA 91744
PHONE (800) 775-2362
ENG. DEPT.
FAX (626) 369-7243
WWW.CEMCOSTEEL.COM