



Expanding Your Solutions

800.775.2362 | www.cemcosteel.com

Structural Engineering/Design: 925.473.9340

Technical Services: 800.416.2278

## SOUND GASKET® (SOUND ABATEMENT FOR BUILDING JOINTS)

### Product Description

**CEMCO Sound Gasket** is a vinyl accessory that provides smoke and sound ratings for both dynamic and static joints. The unique vinyl profile provides a seal along the inside leg to prevent sound flanking along the leg of the slotted track and framing screws while the outer bubble gasket will compress to seal against uneven concrete.



- » Mechanically or adhesively fastened to the leg of the track. Features a 3/8" hollow bubble gasket on the upper corner that is easily compressed to seal against uneven concrete or fluted decks. Once properly installed, the Sound Gasket provides an unbreakable seal to provide long-term smoke and sound protection.
- » Takes the place of acoustic sealant at building joints.
- » Can be used on head-of-wall, bottom-of-wall, and wall-to-wall building joints.
- » Tested for air leakage for compliance with Section 713.6 of IBC and CBC.
- » Manufactured in a light blue color vinyl that is easily identified by the inspector.
- » Installs fully cured, unaffected by water/moisture/temperature.
- » Very durable and not easily damaged. Once installed, it will not delaminate, take in water, shrink, or harden over time.
- » Installs on both sides of the wall and comes in 10' lengths.
- » Can be installed to the track leg before or after fastening the track in place.
- » Provides up to 1-1/2" overall unencumbered movement.
- » Provides Sound Transmission Classification (STC) ratings up to 68.
- » Paintable.

### Ordering / Packaging

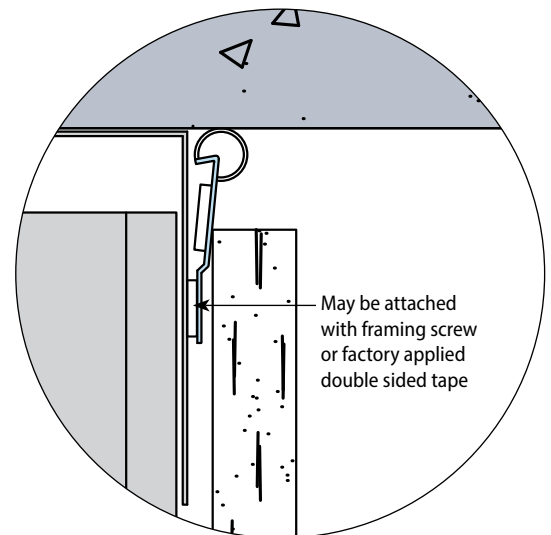
Description	Part #	Size	Length	Pcs/Ctn	Movement	Submitted for Review/Use	✓
SOUND GASKET .5	SG.5	3/8" x 1-1/4"	10'	20	1/2" total	SG.5	
SOUND GASKET 1	SG1	3/8" x 1-5/8"	10'	20	1" total	SG1	
SOUND GASKET 1.5	SG1.5	3/8" x 2-1/4"	10'	20	1-1/2" total	SG1.5	

### Storage / Warranty

- » When stored indoors and kept dry in the original package, Sound Gasket will provide unlimited shelf life.
- » Sustainable Building Life-Cycle Warranty – see CEMCO Firestop Product Warranty for details.

### ASTM & Code Standards

- » Sound Tested in accordance with ASTM E90-09
- » Achieves a Class A rating for flame spread and smoke developed when tested under ASTM E84.
- » Air leakage tests conducted for compliance with Section 713.6 of IBC and CBC.
- » **U.S. Patent No. 10,246,871; 10,753,084; 10,954,670**



Please refer to [www.cemcosteel.com](http://www.cemcosteel.com) for [UL Fire Rated Assemblies](#) and [Sound Test Reports](#).

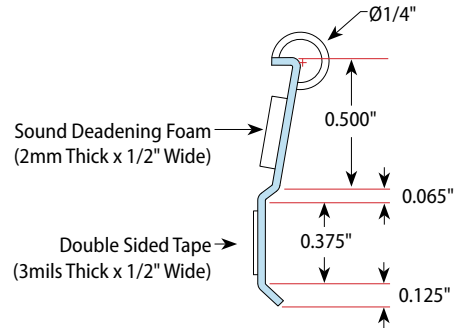
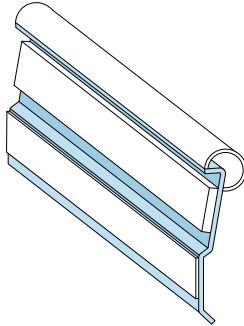


This technical information reflects the most current information available and supersedes any and all previous publications effective February 06, 2024.

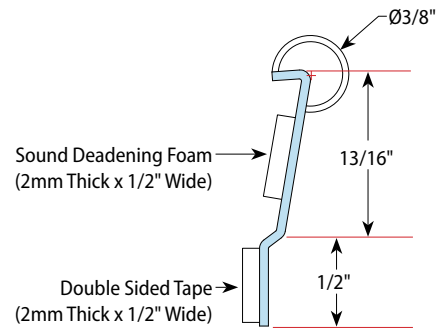
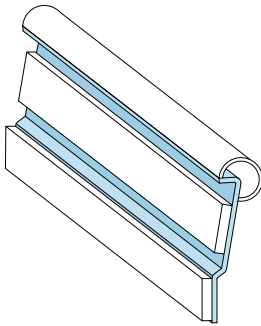
02-06-24 AT

## SOUND GASKET® (SOUND ABATEMENT FOR BUILDING JOINTS)

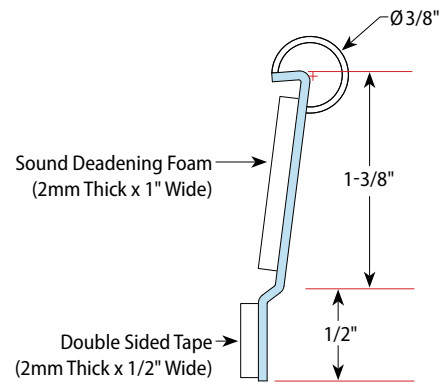
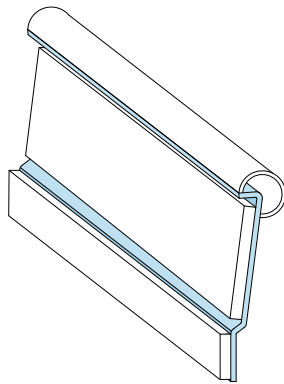
**SG.5**



**SG1**



**SG1.5**



← View the installation video!



← View the installation guide!