



Expanding Your Solutions

800.775.2362 | www.cemcosteel.com

Structural Engineering/Design: 925.473.9340

Technical Services: 800.416.2278

SOUND GASKET® (SOUND ABATEMENT FOR BUILDING JOINTS)

Product Description

CEMCO SOUND GASKET is a vinyl accessory that provides smoke and sound ratings for both dynamic and static joints. The unique vinyl profile provides a seal along the inside leg to prevent sound flanking along the leg of the slotted track and framing screws while the outer bubble gasket will compress to seal against uneven concrete.



- Attaches with integrated double sided tape to the leg of the track. Features a 3/8" hollow bubble gasket on the upper corner that is easily compressed to seal against uneven concrete or fluted decks. Once properly installed, the SOUND GASKET provides an unbreakable seal to provide long-term smoke and sound protection.
- Takes the place of acoustic sealant at building joints.
- Can be used on head of wall, bottom of wall, and wall to wall building joints.
- Tested for air leakage for compliance with Section 713.6 of IBC and CBC.
- Manufactured in a light blue color vinyl that is easily identified by the inspector.
- Installs fully cured, unaffected by water/moisture/temperature.
- Very durable and not easily damaged. Once installed, it will not delaminate, take in water, shrink, or harden over time.
- Can be installed to the track leg before or after fastening the track in place.
- Provides up to 1-1/2" overall unencumbered movement.
- Provides Sound Transmission Classification (STC) ratings up to 67.
- Paintable.

Ordering / Packaging

Description	Part #		Size	Length		Pcs/Ctn		Movement	Submitted for Review/Use	✓
	*Old	New		*Old	New	*Old	New			
SOUND GASKET .5	*SG.5	SG.5-5	3/8" x 1-1/4"	10'	5'	20	60	1/2" total	SG.5-5	
SOUND GASKET 1	*SG1	SG1-5	3/8" x 1-5/8"	10'	5'	20	60	1" total	SG1-5	
SOUND GASKET 1.5	*SG1.5	SG1.5-5	3/8" x 2-1/4"	10'	5'	20	50	1-1/2" total	SG1.5-5	

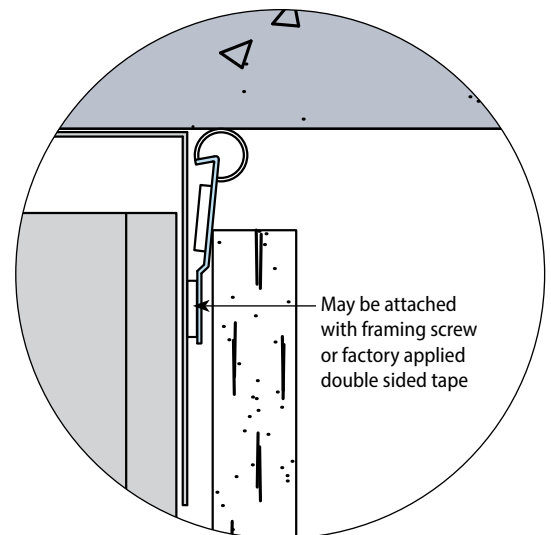
* ITEMS WITH ASTERISK ARE OLD PACKAGING WITH LIMITED AVAILABILITY. ONCE OLD PACKAGING IS DEPLETED, NEW PACKAGING WILL BE AUTOMATICALLY SENT.

Storage / Warranty

- When stored indoors and kept dry in its original package and condition, SOUND GASKET has an unlimited shelf life.
- 25 Year Limited Warranty – see CEMCO Standard Fire, Smoke & Acoustic Product Warranty for details.

ASTM & Code Standards

- ASTM E84
- ASTM E90
- L-Rating (air leakage) testing for compliance with International Building Code (IBC) and Canadian Building Code (CBC).
- **U.S. Patent No. 10,246,871; 10,753,084; 10,954,670**



Please refer to www.cemcosteel.com for [UL Fire Rated Assemblies](#) and [Sound Test Reports](#).

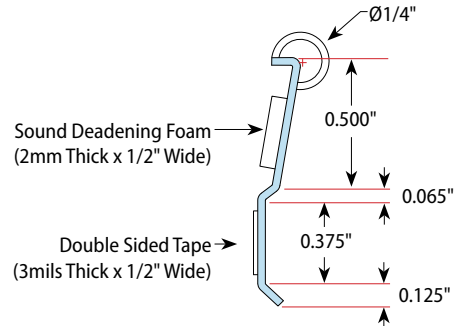
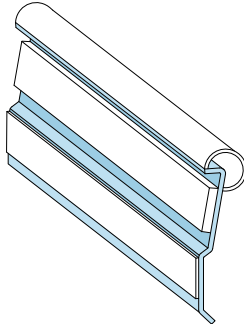


This technical information reflects the most current information available and supersedes any and all previous publications effective November 26, 2025.

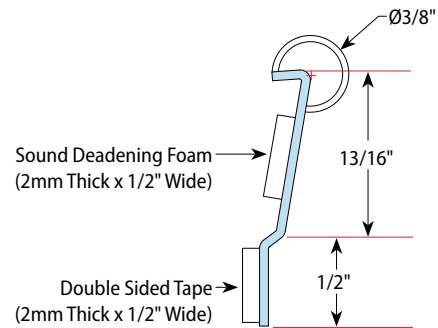
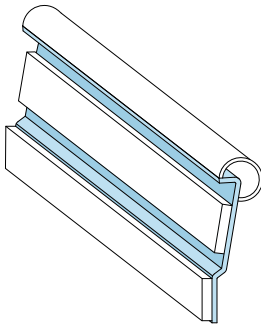
11-26-25 AT

SOUND GASKET® (SOUND ABATEMENT FOR BUILDING JOINTS)

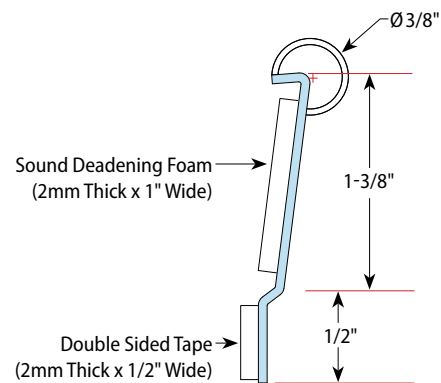
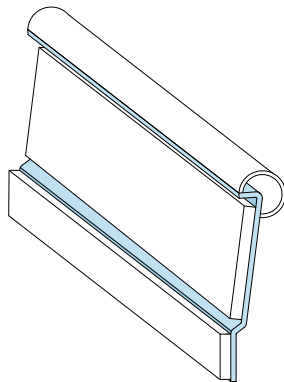
SG.5-5



SG1-5



SG1.5-5



← View the installation video!



← View the installation guide!