



Expanding Your Solutions

Corporate Headquarters
13191 Crossroads Pkwy N., Ste 325
City of Industry, CA 91746
Phone: 800.775.2362
Fax: 626.330.7598

Manufacturing Facilities
City of Industry, CA
Denver, CO
Ft. Worth, TX
Pittsburg, CA

Structural Engineering/Design
1001-A Pittsburgh Antioch Hwy
Pittsburg, CA 94565
Phone: 800.775.2362
Fax: 626.330.7598

Technical Services
13191 Crossroads Pkwy N., Ste 325
City of Industry, CA 91746
Phone: 800.416.2278
Fax: 626.249.5004

CEMCO SMOKE AND SOUND STOP

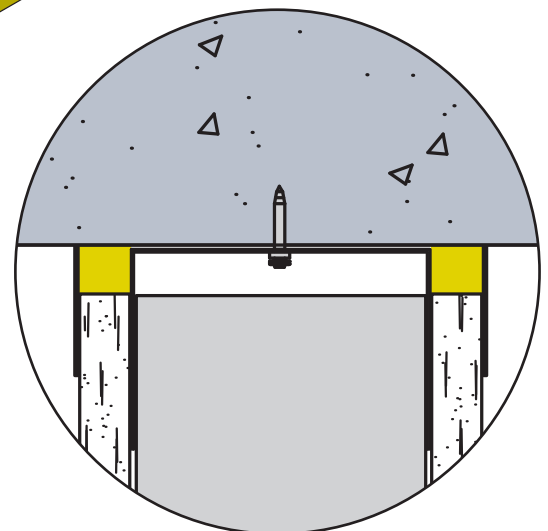
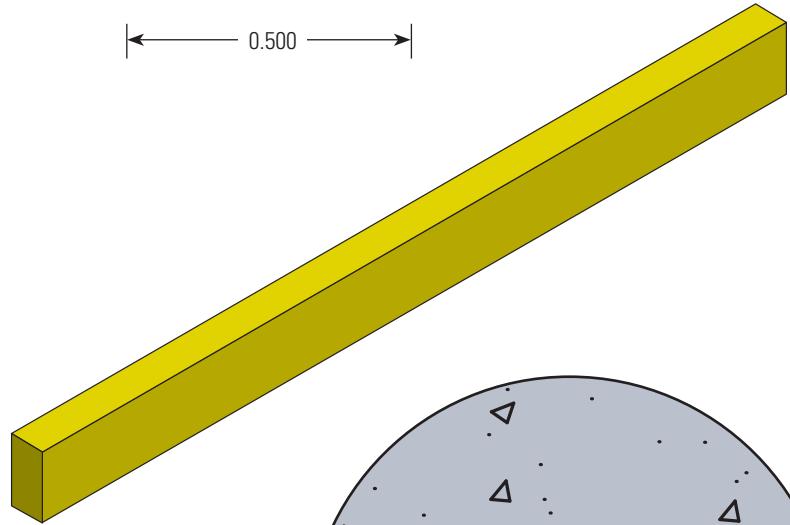
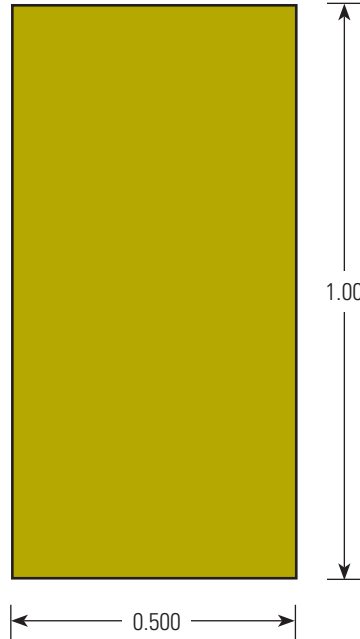
Product Description

CEMCO Smoke and Sound Stop is a compressible rectangular foam that provides a flexible backing for smoke and sound abatement at interior building joints and is sound tested according to ASTM E90.

Composition: Smoke and Sound Stop is continuous lengths of flexible, fabricated open cell polyurethane. Yellow in color. Sold in one continuous 1080' roll.

Smoke and Sound Stop

- Should be installed at interior perimeter building joints only, free from all loose materials, dry and free from frost, not recommended for wet areas.
- The rectangular profile is easily compressed into the gap between the edge of the drywall and adjoining structure.
- The open cell composition provides a flexible backing capable of receiving finishing materials such as drywall joint compound and tape or sealant.
- Exposed surface shall be covered with tape and joint compound, or sealant, or decorative trim.
- Maintains flexibility for the life of the interior building joint and will not shrink or pull away or harden over time.
- Will resist oil, gasoline and most solvents, the material is odorless, will not stain, and the open cell composition prevents out-gassing.



Packaging

1 continuous roll, 1080' per box, 12 boxes per pallet.

ASTM & Code Standards:

- Sound Tested in accordance with ASTM E90-09
- Air leakage tests conducted for compliance with Section 713.6 of IBC and CBC
- IBC: 2012, 2015, 2018
- CBC: 2013, 2016
- AISI: S100-07, S100-12, S100-16, S220-11, S220-15
- Patent pending

Technical Services

Technical Services: 800.416.2278
Structural Engineering/Design: 925.473.9340
www.cemcosteel.com



This technical information reflects the most current information available and supersedes any and all previous publications effective December 20, 2018.

12-20-18 AT