



Expanding Your Solutions

800.775.2362 | www.cemcosteel.com

Structural Engineering/Design: 925.473.9340

Technical Services: 800.416.2278

SMOKE AND SOUND STOP

Product Description

CEMCO Smoke and Sound Stop is a compressible rectangular open cell polyurethane foam providing smoke and sound abatement within interior building joints in non-fire rated partitions.

- Installs at interior building joints only, free from loose debris in dry and frost-free surfaces.
- Open cell composition that provides a compressible and flexible backing capable of receiving finishing materials such as drywall tape and joint compound.
- Easily installed by compressing it into the gap between the drywall and surrounding structure.
- Yellow in color for easy identification during inspection process.
- Remains flexible for the life of the building joint.
- Will not harden, shrink, or pull away from the substrate over time.
- Resists oil and most solvents.
- Odorless, installs fully cured and will not stain surrounding substrate.
- NOT** recommended for use in wet areas.
- Recommended for use in maximum 3/4" wide joints.
- Provides Sound Transmission Classification (STC) ratings up to 68.

Ordering / Packaging

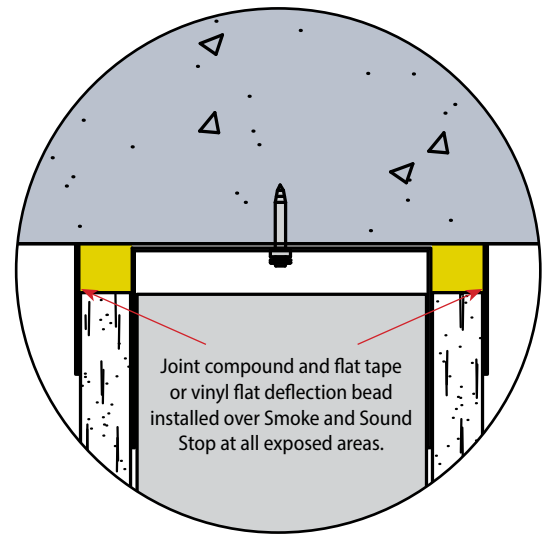
Description	Part #	Size	Length	Pcs/Ctn	Submitted for Review/Use	✓
Smoke and Sound	SSS	1/2" x 1"	1080'	1	Smoke and Sound	

Storage / Warranty

- When stored indoors and kept dry in the original package, Smoke and Sound will provide unlimited shelf life.
- Sustainable Building Life-Cycle Warranty – see CEMCO Firestop Product Warranty for details.

ASTM & Code Standards

- ASTM E-84
- ASTM E-90
- L-rating per UL 2079 5th Edition
- L-Rating (air leakage) testing for compliance with International Building Code (IBC) and Canadian Building Code (CBC)
- U.S. Patent Pending**



Please refer to www.cemcosteel.com for [UL Fire Rated Assemblies](#) and [Sound Test Reports](#).



This technical information reflects the most current information available and supersedes any and all previous publications effective January 30, 2024.

01-30-24 AT



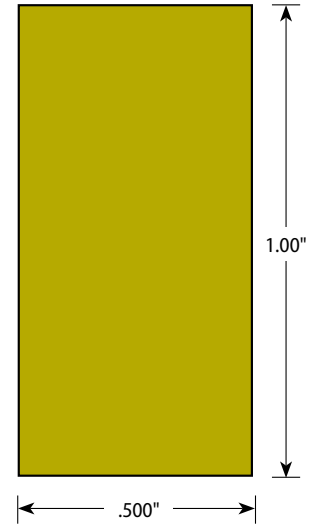
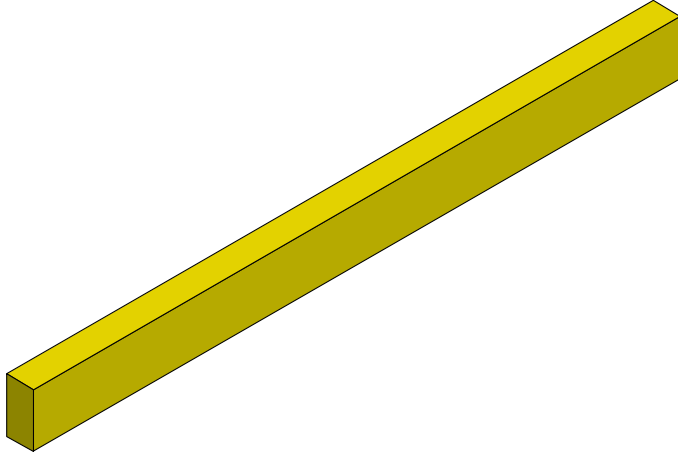
Expanding Your Solutions

800.775.2362 | www.cemcosteel.com

Structural Engineering/Design: 925.473.9340

Technical Services: 800.416.2278

SMOKE AND SOUND STOP



Please refer to www.cemcosteel.com for [UL Fire Rated Assemblies](#) and [Sound Test Reports](#).



This technical information reflects the most current information available and supersedes any and all previous publications effective January 30, 2024.

01-30-24 AT