



Expanding Your Solutions

Corporate Headquarters
13191 Crossroads Pkwy N., Ste 325
City of Industry, CA 91746
Phone: 800.775.2362
Fax: 626.330.7598

Manufacturing Facilities
City of Industry, CA
Denver, CO
Ft. Worth, TX
Pittsburg, CA

Structural Engineering/Design
1001-A Pittsburgh Antioch Hwy
Pittsburg, CA 94565
Phone: 800.775.2362
Fax: 626.330.7598

Technical Services
13191 Crossroads Pkwy N., Ste 325
City of Industry, CA 91746
Phone: 800.416.2278
Fax: 626.249.5004

FAS VERTICAL DRIFT JOINT (VDJ)

Description

CEMCO's FAS Vertical Drift Joint (VDJ) is a composite steel/intumescent corner bead with 2 layers of factory applied intumescent tape applied to the longer leg of the accessory. The intumescent strips work as a compression gasket to prevent the passage fire, smoke and sound between the metal stud drywall panels and the panel and or drywall encased around the aluminum window mullion. The FAS Vertical Drift Joint (VDJ) is tested and certified with UL according to UL-2079 and will provide unencumbered **drift and vertical movement** between the adjoining wall panels. The profile is fabricated from hot-dipped galvanized steel complying with ASTM A653, and ASTM A1003 Grade 33 Type H for 33 ksi yield strength steel for 25 gauge (18 mil).

ASTM's & Code Standards

- ASTM A653, C645, A1003, A924
- ASTM E 1966: Standard Test Method of Fire Tests of Firestop Systems
- UL 2079 Tests For Fire Resistance of Building Joints
- ASTM E-119 Standard Test Methods for Fire Tests of Building Construction and Material
- Air leakage tests conducted for compliance with Section 713.6 of IBC and CBC
- IBC: 2012, 2015, 2018
- CBC: 2013, 2016, 2019
- AISI: S100-07, S100-12, S100-16, S220-11, S220-15
- **U.S. Patent 10,077,550 B2**

LEED v4 for Building and Design Construction

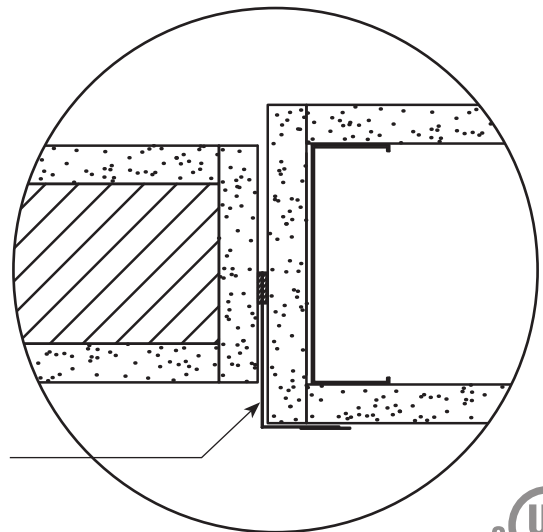
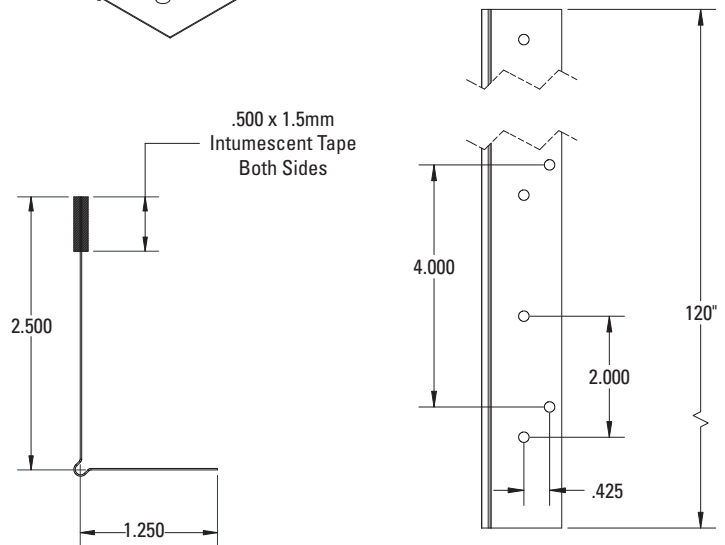
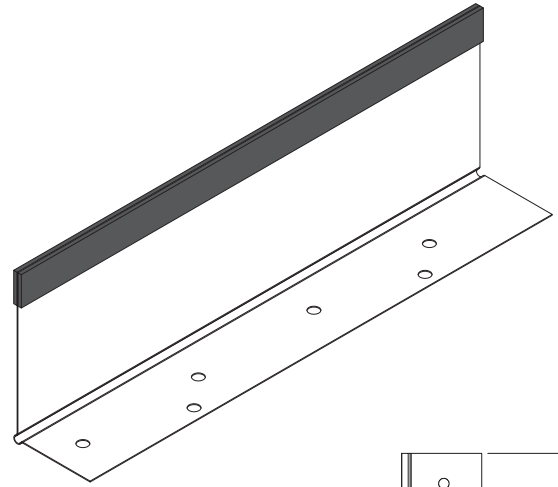
- MR Prerequisite: Construction and Demolition Waste Management Planning.
- MR Credit: Construction and Demolition Waste Management.
- MR Credit: Building Product Disclosure and Optimization – Sourcing of Raw Materials, Option 2.
- MR Credit: Building Product Disclosure and Optimization – Environmental Product Declarations, Options 1 & 2.
- MR Credit: Building Product Disclosure and Optimization – Material Ingredients, Option 1.
- MR Credit: Building Life-Cycle Impact Reduction, Option 4.

CEMCO cold-formed steel framing products contain 30% to 37% recycled steel.

- Total Recycled Content: 36.9%
- Post-Consumer: 19.8%
- Pre-Consumer: 14.4%



← Scan or click the code to view the installation video!



Technical Services

Technical Services: 800.416.2278
Structural Engineering/Design: 925.473.9340
www.cemcosteel.com



This technical information reflects the most current information available and supersedes any and all previous publications effective June 30, 2022.

06-30-22 AT