



Expanding Your Solutions

Corporate Headquarters
13191 Crossroads Pkwy N., Ste 325
City of Industry, CA 91746
Phone: 800.775.2362
Fax: 626.330.7598

Manufacturing Facilities
City of Industry, CA
Denver, CO
Ft. Worth, TX
Pittsburg, CA

Structural Engineering/Design
1001-A Pittsburgh Antioch Hwy
Pittsburg, CA 94565
Phone: 800.775.2362
Fax: 626.330.7598

Technical Services
13191 Crossroads Pkwy N., Ste 325
City of Industry, CA 91746
Phone: 800.416.2278
Fax: 626.249.5004

FAS-093X-V (VINYL) FIRE RATED CONTROL JOINT

Product Description

CEMCO's FAS-093X-V Vinyl Fire Rated Control Joint is a composite control joint with intumescent tape factory applied to the back side of the control joint. The FAS-093X-V has been tested according to UL-2079 "Test for Fire Resistance of Building Joint Systems" and is used to relieve stresses of expansion and contraction of drywall INTERIOR and EXTERIOR partitions or ceilings running in a horizontal or vertical direction in both metal or wood framing on one side or both sides of the wall. Continuous framing or backing is required behind both flanges. The FAS-093X-V is pink in color and features a co-extruded flexible PVC center that is designed to provide a full 1/2" of protection against the stresses of expansion and contraction.

US Patent 8,671,632

Packaging

10' lengths; 20 pieces per box; 25 per pallet

Product Information

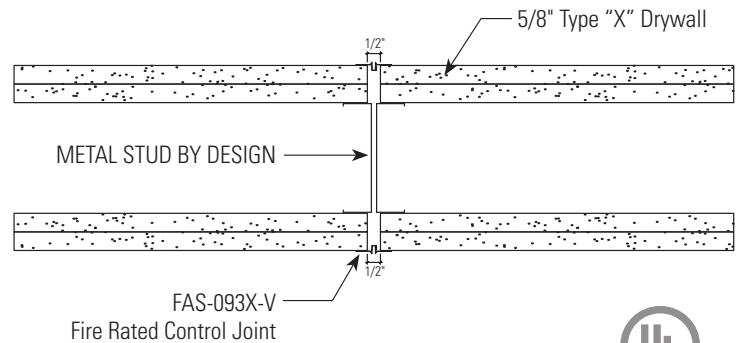
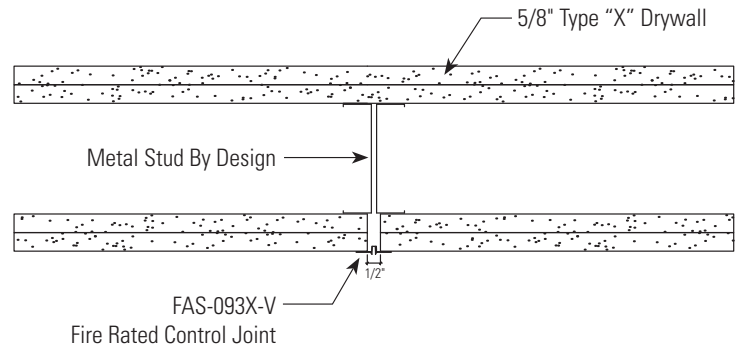
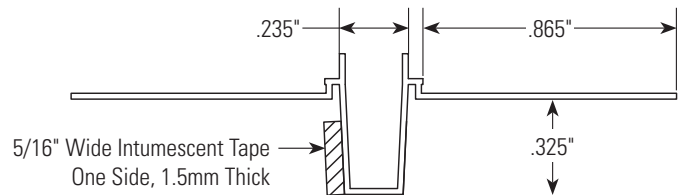
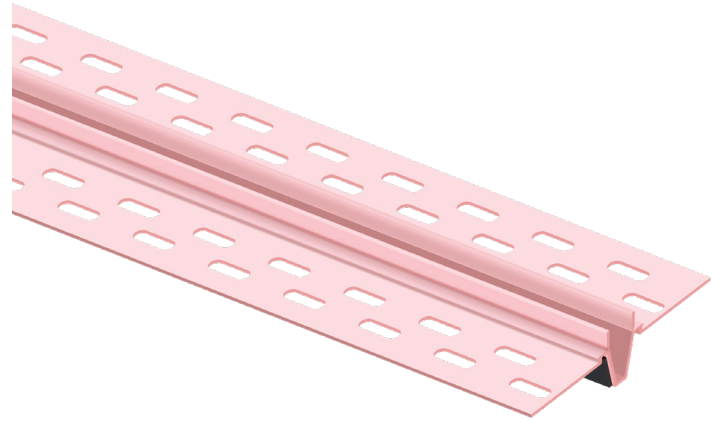
Applicable Standards: Rigid PVC products meet ASTM specifications D3678-97 Class 2, D1784-03, C1047-99 and achieve a Class A rating for flame spread and smoke developed when tested under ASTM E84-10.

UL-2079 Standard for Tests for Fire Resistance of Building Joint Systems **for 1 and 2 hour wall assemblies.**

Limitations: 093X-V must be painted with a high quality paint, especially in exterior applications.

Installation: 093X-V can be installed with spray adhesive, drywall fasteners, or staples.

- NO Drywall Rips Required
- NO Fire Sealant Required
- NO Mineral Wool Required



Technical Services

Technical Services: 800.416.2278
Structural Engineering/Design: 925.473.9340
www.cemcosteel.com



This technical information reflects the most current information available and supersedes any and all previous publications effective September 3, 2019.

09-03-19 AT