



Expanding Your Solutions

Corporate Headquarters
13191 Crossroads Pkwy N., Ste 325
City of Industry, CA 91746
Phone: 800.775.2362
Fax: 626.330.7598

Manufacturing Facilities
City of Industry, CA
Denver, CO
Ft. Worth, TX
Pittsburg, CA

Structural Engineering/Design
1001-A Pittsburgh Antioch Hwy
Pittsburg, CA 94565
Phone: 800.775.2362
Fax: 626.330.7598

Technical Services
13191 Crossroads Pkwy N., Ste 325
City of Industry, CA 91746
Phone: 800.416.2278
Fax: 626.249.5004

DEFLECTION DRIFT ANGLE (DDA-1) FIRE BLOCK

Description

CEMCO Deflection Drift Angle (DDA-1) is a composite steel angle with intumescent tape factory applied to the inside leg of the steel angle, the CEMCO DDA-1 is a fire-rated accessory that when combined with the Slotted Track or J-Runner track will offer unencumbered movement at the head-of-wall joint in accordance with the UL-2079 "Test for Fire Resistance of Building Joint Systems". The 1-1/4 inch outside leg is manufactured in red and labeled for proper identification, and provides up to 1" overall dynamic movement.

Size (in.)	Length (ft.)	Steel Thickness mil (gauge)
5/8 x 1-1/4	10	18 (25)

U.S. Patent 8,595,999

ASTM's & Code Standards

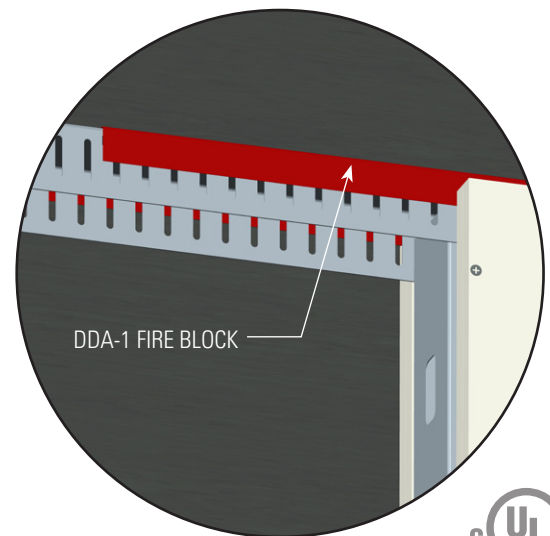
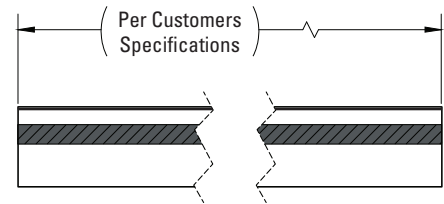
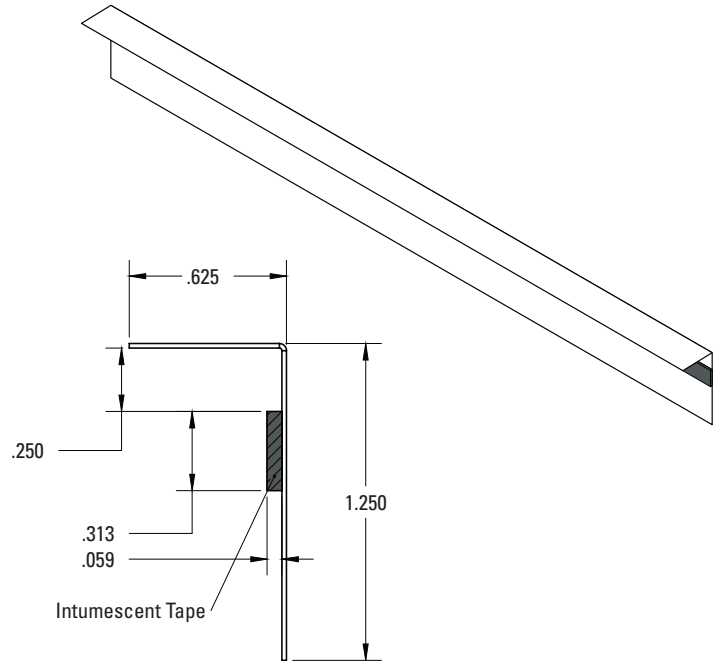
- ASTM A653, C645, A1003, A924
- ASTM E 1966: Standard Test Method of Fire Tests of Firestop Systems
- UL 2079 5th Edition Tests For Fire Resistance of Building Joints
- ASTM E-119 Standard Test Methods for Fire Tests of Building Construction and Material
- Sound Tested in accordance with ASTM E90-09 up to STC 66
- Air leakage tests conducted for compliance with Section 713.6 of IBC and CBC
- IBC: 2012, 2015, 2018
- CBC: 2013, 2016
- AISI: S100-07, S100-12, S100-16, S220-11, S220-15

LEED v4 for Building and Design Construction

- MR Prerequisite: Construction and Demolition Waste Management Planning.
- MR Credit: Construction and Demolition Waste Management.
- MR Credit: Building Product Disclosure and Optimization – Sourcing of Raw Materials, Option 2.
- MR Credit: Building Product Disclosure and Optimization – Environmental Product Declarations, Options 1 & 2.
- MR Credit: Building Product Disclosure and Optimization – Material Ingredients, Option 1.
- MR Credit: Building Life-Cycle Impact Reduction, Option 4.

CEMCO cold-formed steel framing products contain 30% to 37% recycled steel.

- Total Recycled Content: 36.9%
- Post-Consumer: 19.8%
- Pre-Consumer: 14.4%
- UL report #'s HW-D-0514; HW-D-0515; HW-D-0518; HW-D-0524 HW-D-0550; HW-D-0551; HW-D-0553; HW-D-0554; HW-D-0556; HW-D-0579; HW-D-0580; HW-D-0581; HW-D-0582; HW-D-0583; HW-D-0596; HW-D-0620; HW-D-062 HW-D-0652, BW-S-0024; WW-D-0104



Technical Services

Technical Services: 800.416.2278
Structural Engineering/Design: 925.473.9340
www.cemcosteel.com



This technical information reflects the most current information available and supersedes any and all previous publications effective December 20, 2018.

12-20-18 AT