



Expanding Your Solutions

Corporate Headquarters
13191 Crossroads Pkwy N., Ste 325
City of Industry, CA 91746
Phone: 800.775.2362
Fax: 626.330.7598

Manufacturing Facilities
City of Industry, CA
Denver, CO
Ft. Worth, TX
Pittsburg, CA

Structural Engineering/Design
1001-A Pittsburgh Antioch Hwy
Pittsburg, CA 94565
Phone: 800.775.2362
Fax: 626.330.7598

Technical Services
13191 Crossroads Pkwy N., Ste 325
City of Industry, CA 91746
Phone: 800.416.2278
Fax: 626.249.5004

DEFLECTION DRIFT ANGLE (DDA) FIRE BLOCK

Description

CEMCO Deflection Drift Angle (DDA) is a composite steel angle with intumescent tape factory applied to the inside leg of the steel angle, the CEMCO DDA is a fire-rated accessory that when combined with the Slotted Track will offer unencumbered movement at the head-of-wall joint in accordance with the UL-2079 "Test for Fire Resistance of Building Joint Systems." The 2-1/2 inch outside leg is manufactured in red steel and labeled for proper identification, and provides up to 2" overall dynamic movement.

U.S. Patent 8,595,999

Size (in.)	Length (ft.)	Steel Thickness mil (gauge)
3/4 x 2-1/2	10	18 (25)

ASTM's & Code Standards

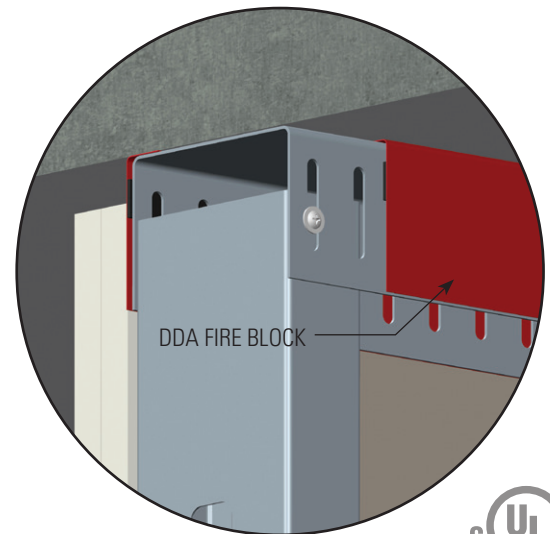
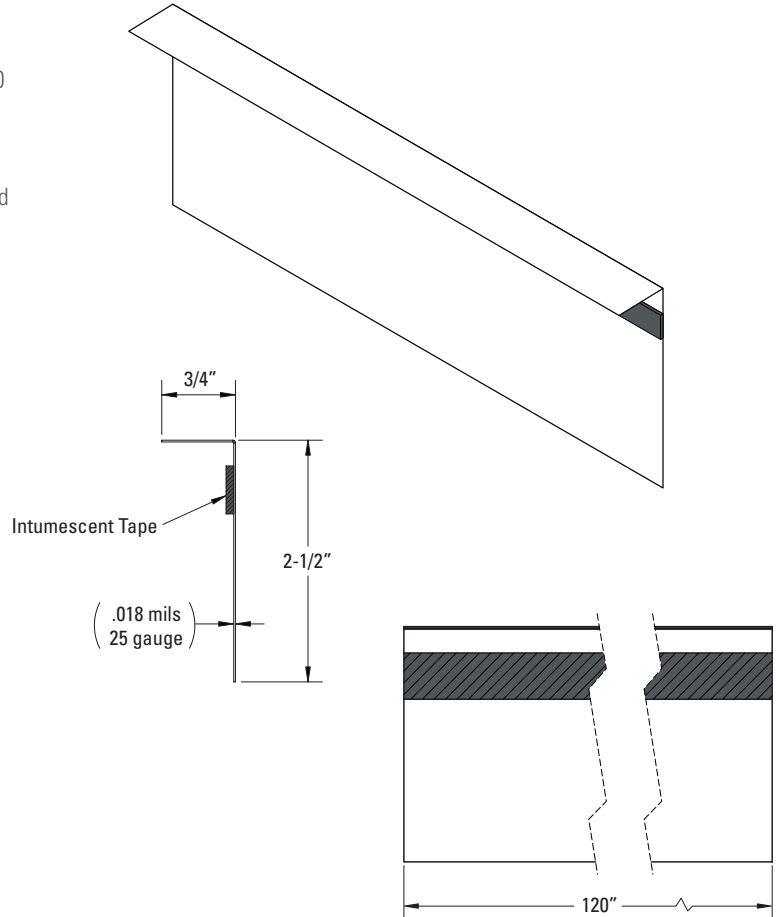
- ASTM A653, C645, A1003, A924
- ASTM E 1966: Standard Test Method of Fire Tests of Firestop Systems
- UL 2079 5th Edition Tests For Fire Resistance of Building Joints
- ASTM E-119 Standard Test Methods for Fire Tests of Building Construction and Material
- Sound Tested in accordance with ASTM E90-09 up to STC 66
- Air leakage tests conducted for compliance with Section 713.6 of IBC and CBC
- IBC: 2012, 2015, 2018
- CBC: 2013, 2016
- AISI: S100-07, S100-12, S100-16, S220-11, S220-15

LEED v4 for Building and Design Construction

- MR Prerequisite: Construction and Demolition Waste Management Planning.
- MR Credit: Construction and Demolition Waste Management.
- MR Credit: Building Product Disclosure and Optimization – Sourcing of Raw Materials, Option 2.
- MR Credit: Building Product Disclosure and Optimization – Environmental Product Declarations, Options 1 & 2.
- MR Credit: Building Product Disclosure and Optimization – Material Ingredients, Option 1.
- MR Credit: Building Life-Cycle Impact Reduction, Option 4.

CEMCO cold-formed steel framing products contain 30% to 37% recycled steel.

- Total Recycled Content: 36.9%
- Post-Consumer: 19.8%
- Pre-Consumer: 14.4%
- UL report #'s HW-D-0514; HW-D-0515; HW-D-0518; HW-D-0524 HW-D-0550; HW-D-0551; HW-D-0553; HW-D-0554; HW-D-0556; HW-D-0579; HW-D-0580; HW-D-0581; HW-D-0582; HW-D-0583; HW-D-0596; HW-D-0620; HW-D-062 HW-D-0652, BW-S-0024; WW-D-0104



Technical Services

Technical Services: 800.416.2278
Structural Engineering/Design: 925.473.9340
www.cemcosteel.com



This technical information reflects the most current information available and supersedes any and all previous publications effective December 20, 2018.

12-20-18 AT