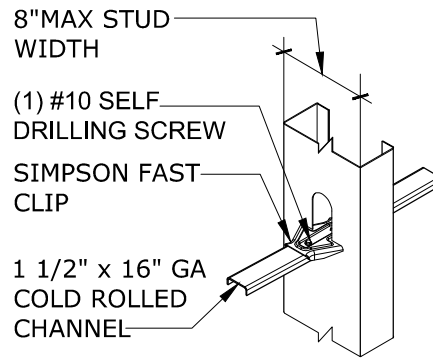


OPTION 1:
SCREWED ATTACHMENT
OF LATERAL BRACING

OPTION 2:
WELDED ATTACHMENT
OF LATERAL BRACING



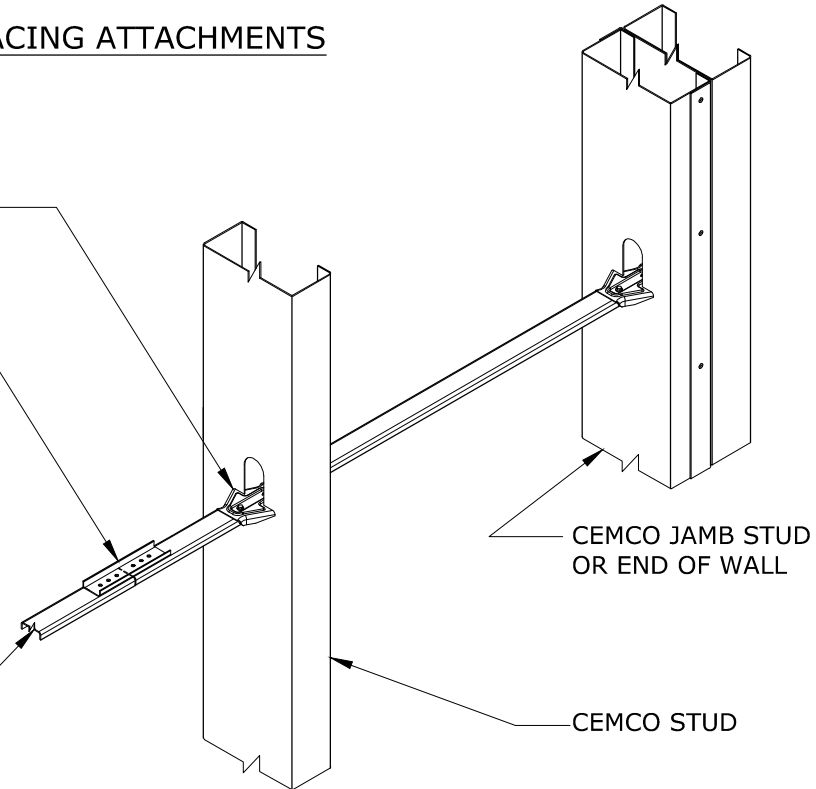
OPTION 3:
CLIP ATTACHMENT
OF LATERAL BRACING

BRACING ATTACHMENTS

SIMPSON FAST CLIP,
FASTENED TO STUD
AND CRC CHANNEL (BY
DESIGN)

LATERAL BRACING SPLICE,
CEMCO CRC INVERTED OVER
CENTER OF SPLICE WITH
SCREWS ON EACH SIDE OF
SPLICE (LENGTH OF SPLICE
CONNECTION AND QUANTITY
OF SCREWS BY DESIGN)

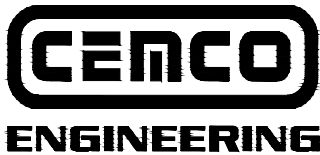
CEMCO COLD ROLLED
(CRC) LATERAL BRACING,
(SPACED AS REQUIRED BY
DESIGN)



8A

BRIDGING - COLD ROLLED CHANNEL WITH SIMPSON CLIP

SCALE: N.T.S.



1001-A PITTSBURG ANTIOCH HWY
PITTSBURG, CA 94565
ENG. DEPT. 925.473-9340
FAX 925.473.9124
www.cemcosteel.com

DISCLAIMER:

CEMCO assumes no liability for failure resulting from the use of it's drawings, or for failure resulting from the use of alternate materials, or improper application or installation. This drawing is supplied solely to assist in the selection and application of CEMCO products. This drawing is generic in nature and should not be used in design or construction without an independent evaluation by a qualified Architect or Engineer of Record.

CATEGORY:

**NON-LOAD
BEARING WALL
DETAILS**

REV: 1
RELEASE: 12/12/2019