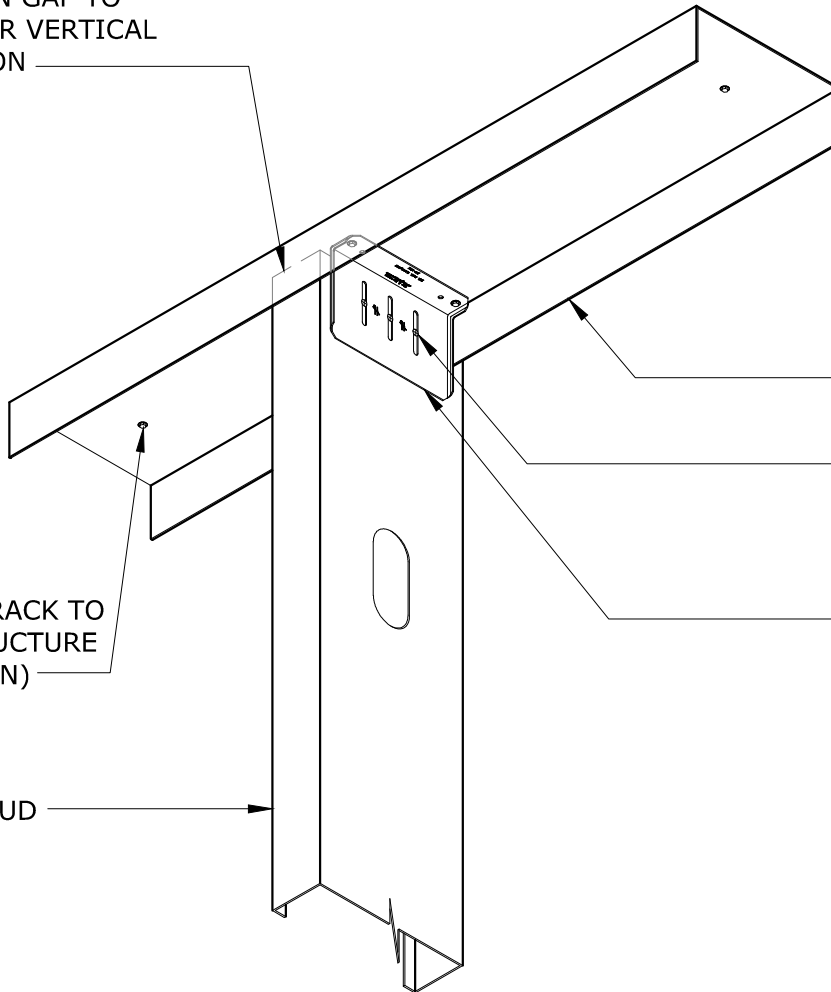


CUT STUD SHORT EQUAL  
TO DESIGN GAP TO  
ALLOW FOR VERTICAL  
DEFLECTION



CEMCO TRACK

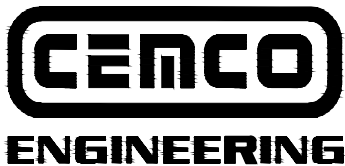
SCREW ATTACH (SCREW  
SIZE & QUANTITY,  
BY DESIGN)

SIMPSON SCW CLIP  
(BY DESIGN)

FASTEN TRACK TO  
MAIN STRUCTURE  
(BY DESIGN)

CEMCO STUD

**5 WALL DEFLECTION - SIMPSON SCW SLIDE CLIP** SCALE: N.T.S.



1001-A PITTSBURG ANTIOCH HWY  
PITTSBURG, CA 94565  
ENG. DEPT. 925.473-9340  
FAX 925.473.9124  
www.cemcosteel.com

**DISCLAIMER:**

CEMCO assumes no liability for failure resulting from the use of it's drawings, or for failure resulting from the use of alternate materials, or improper application or installation. This drawing is supplied solely to assist in the selection and application of CEMCO products. This drawing is generic in nature and should not be used in design or construction without an independent evaluation by a qualified Architect or Engineer of Record.

**CATEGORY:**

**NON-LOAD  
BEARING WALL  
DETAILS**

REV: 1  
RELEASE: 12/12/2019