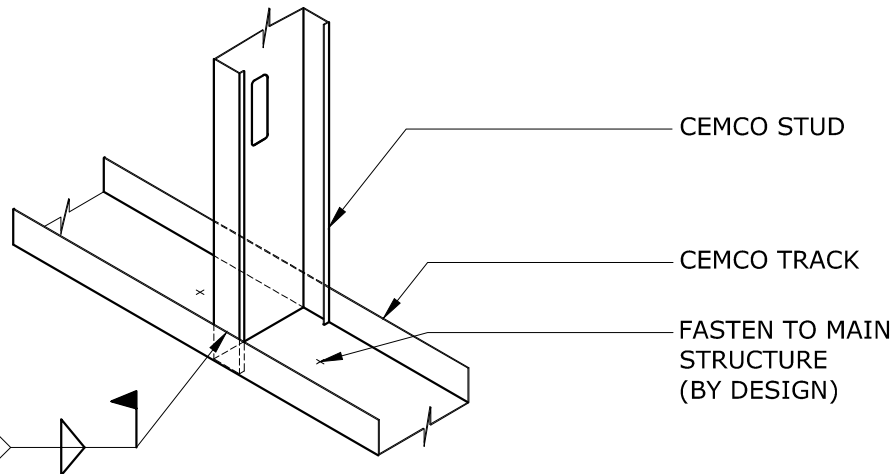


**1 OPTION 1  
SCREWED ATTACHMENT**

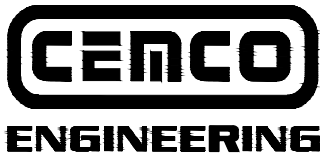


**2 OPTION 2  
WELDED ATTACHMENT**

**NOTE:**  
STUD MUST BE SEATED  
TIGHT TO TRACK WEB  
(MAX. GAP = 1/16")

**1 SINGLE STUD - TRACK CONNECTION DETAILS**

SCALE: N.T.S.



1001-A PITTSBURG ANTIOCH HWY  
PITTSBURG, CA 94565  
ENG. DEPT. 925.473-9340  
FAX 925.473.9124  
www.cemcosteel.com

**DISCLAIMER:**

CEMCO assumes no liability for failure resulting from the use of it's drawings, or for failure resulting from the use of alternate materials, or improper application or installation. This drawing is supplied solely to assist in the selection and application of CEMCO products. This drawing is generic in nature and should not be used in design or construction without an independent evaluation by a qualified Architect or Engineer of Record.

**CATEGORY:**

**LOAD-BEARING  
WALL DETAILS**

REV: 0  
RELEASE: 11/21/2019