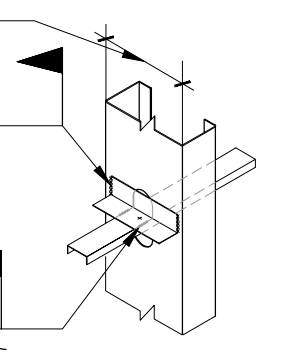
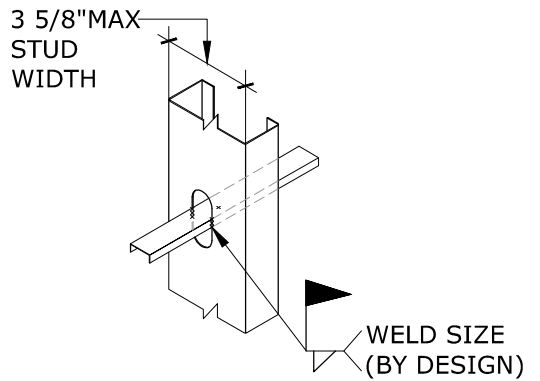


OPTION 1:
SCREWED ATTACHMENT OF
LATERAL BRACING



OPTION 2:
WELDED ATTACHMENT
OF LATERAL BRACING



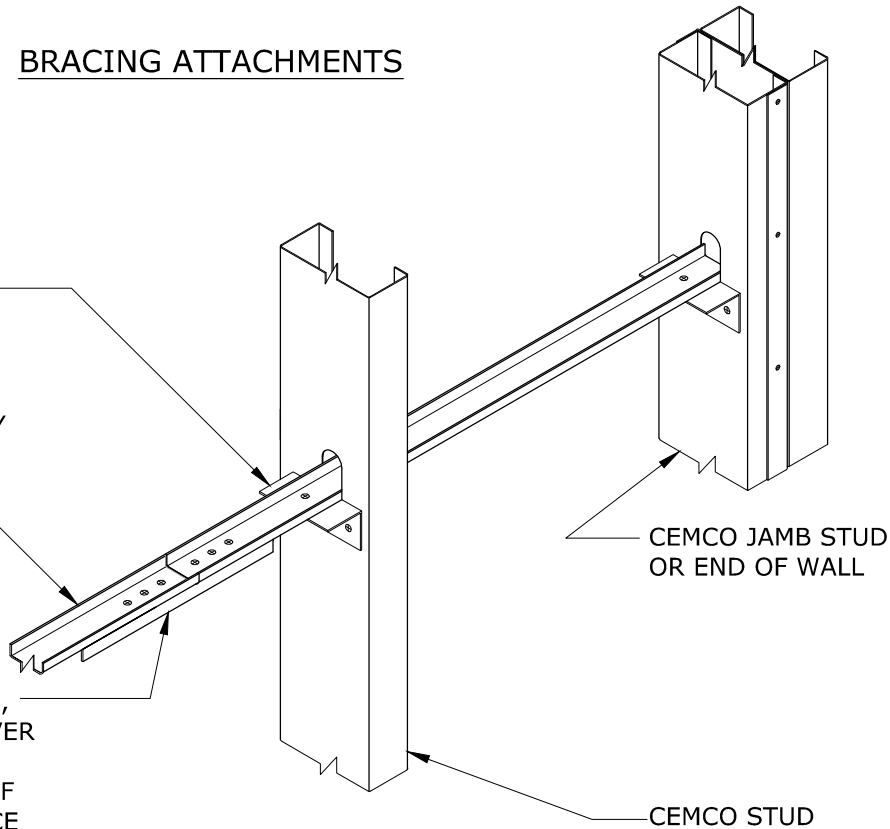
OPTION 3:
WELDED ATTACHMENT
OF LATERAL BRACING

BRACING ATTACHMENTS

CLIP ANGLE, FASTENED
TO STUD AND CRC
CHANNEL (BY DESIGN)

CEMCO COLD ROLLED
(CRC) LATERAL BRACING,
(SPACED AS REQUIRED BY
DESIGN)

LATERAL BRACING SPLICE,
CEMCO CRC INVERTED OVER
CENTER OF SPLICE WITH
SCREWS ON EACH SIDE OF
SPLICE (LENGTH OF SPLICE
CONNECTION AND QUANTITY
OF SCREWS BY DESIGN)



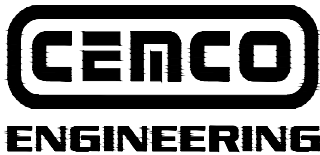
CEMCO JAMB STUD
OR END OF WALL

CEMCO STUD

7

BRIDGING - COLD ROLLED CHANNEL WITH CLIP ANGLE

SCALE: N.T.S.



1001-A PITTSBURG ANTIOCH HWY
PITTSBURG, CA 94565
ENG. DEPT. 925.473-9340
FAX 925.473.9124
www.cemcosteel.com

DISCLAIMER:

CEMCO assumes no liability for failure resulting from the use of it's drawings, or for failure resulting from the use of alternate materials, or improper application or installation. This drawing is supplied solely to assist in the selection and application of CEMCO products. This drawing is generic in nature and should not be used in design or construction without an independent evaluation by a qualified Architect or Engineer of Record.

CATEGORY:

**CURTAIN WALL
DETAILS**

REV: 1
RELEASE: 11/09/2019