

CEMCO TRACK BLOCK PIECE TO MATCH WALL STUD (CLIP FLANGE AND BEND), INSTALL AT 8'-0" O.C. AND AT END OF WALL

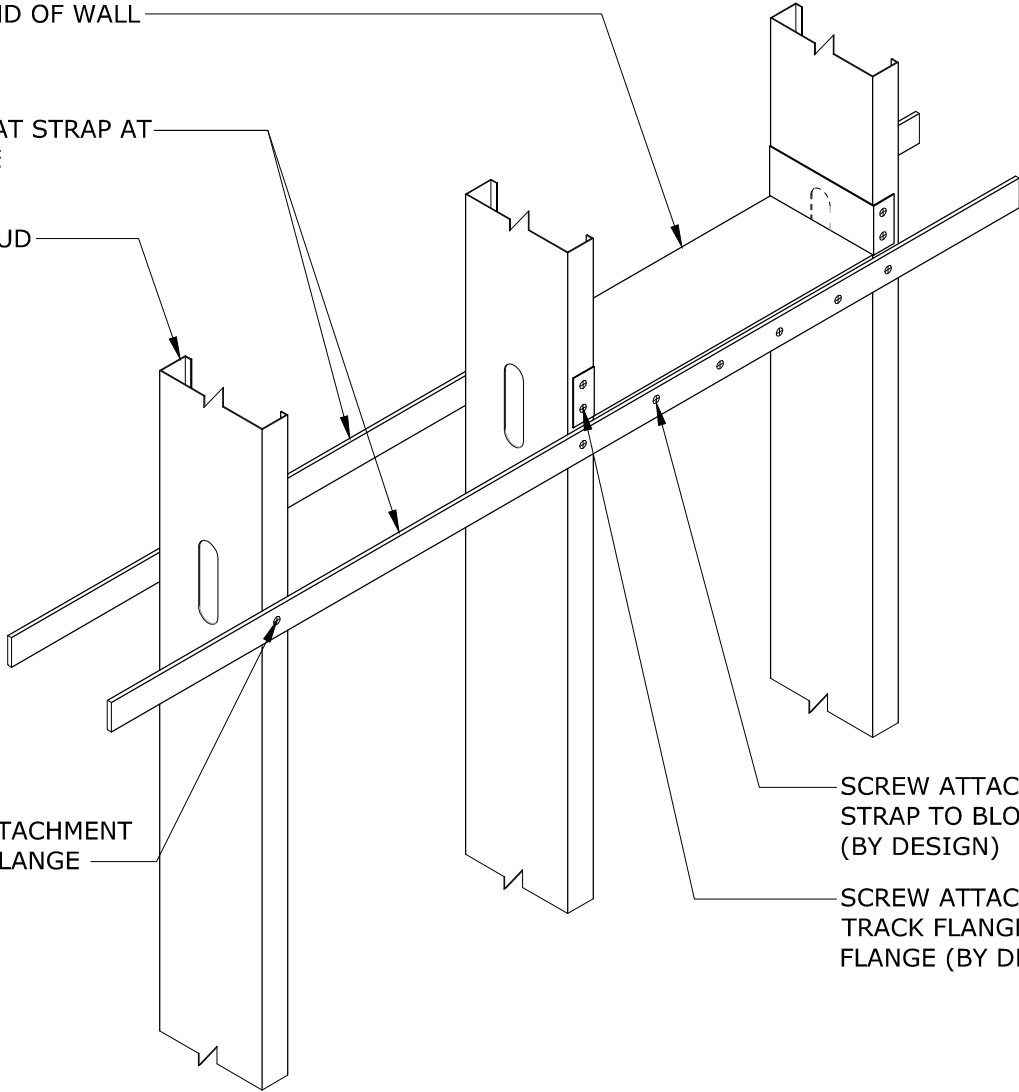
CEMCO FLAT STRAP AT EACH SIDE

CEMCO STUD

SCREW ATTACHMENT AT EACH FLANGE

SCREW ATTACHMENT STRAP TO BLOCKING (BY DESIGN)

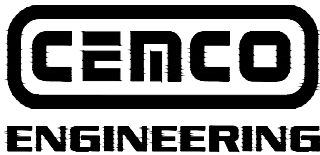
SCREW ATTACHMENT, TRACK FLANGE TO STUD FLANGE (BY DESIGN)



6

BRIDGING - DOUBLE FLAT STRAP WITH BLOCKING

SCALE: N.T.S.



1001-A PITTSBURG ANTIOCH HWY
 PITTSBURG, CA 94565
 ENG. DEPT. 925.473-9340
 FAX 925.473.9124
 www.cemcosteel.com

DISCLAIMER:

CEMCO assumes no liability for failure resulting from the use of it's drawings, or for failure resulting from the use of alternate materials, or improper application or installation. This drawing is supplied solely to assist in the selection and application of CEMCO products. This drawing is generic in nature and should not be used in design or construction without an independent evaluation by a qualified Architect or Engineer of Record.

CATEGORY:

**CURTAIN WALL
 DETAILS**

REV: 1
 RELEASE: 11/09/2019