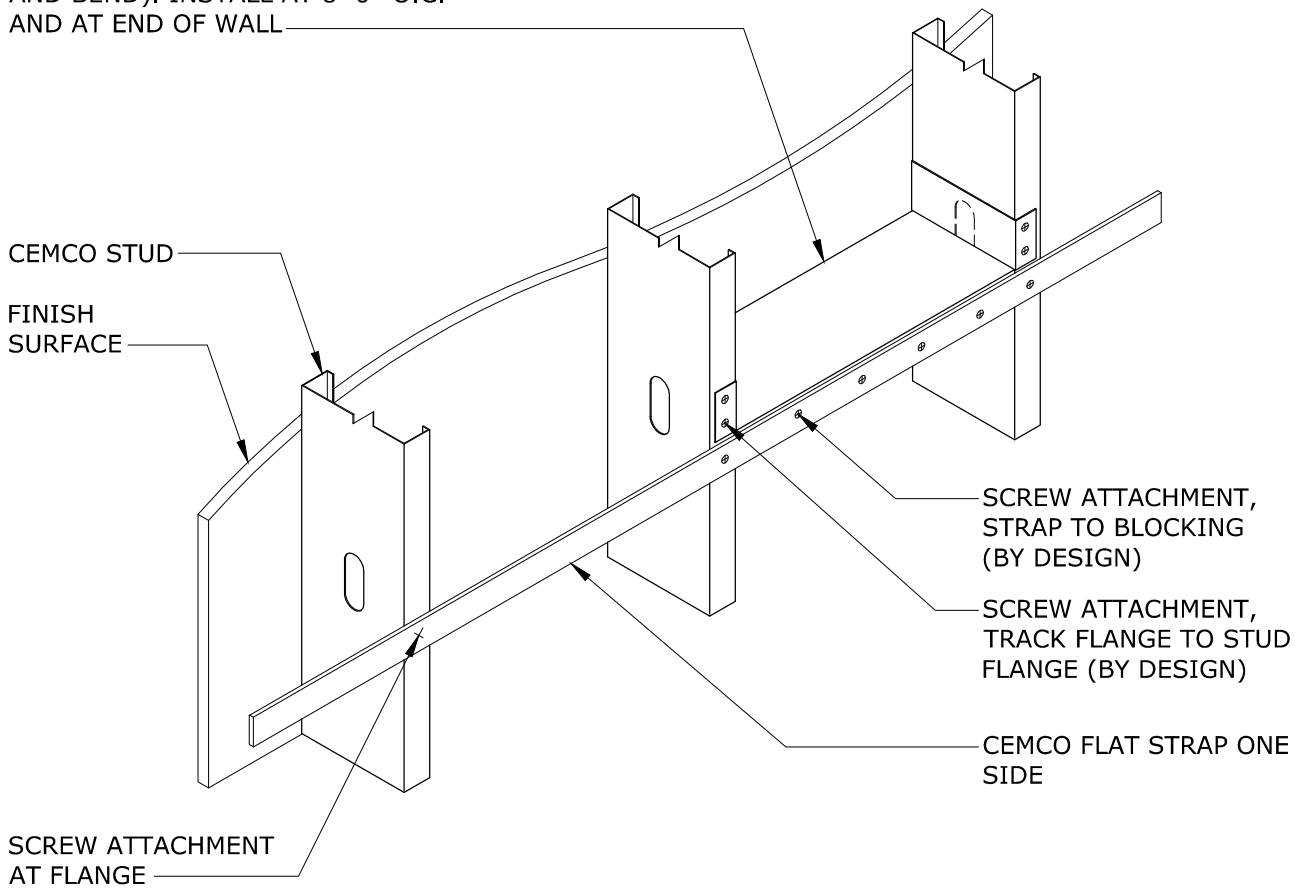


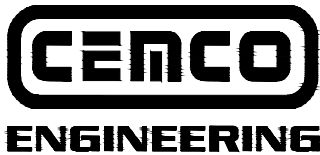
CEMCO TRACK BLOCK PIECE TO MATCH WALL STUD (CLIP FLANGE AND BEND). INSTALL AT 8'-0" O.C. AND AT END OF WALL



5

**BRIDGING - SINGLE FLAT STRAP WITH BLOCKING**

SCALE: N.T.S.



1001-A PITTSBURG ANTIOCH HWY  
 PITTSBURG, CA 94565  
 ENG. DEPT. 925.473-9340  
 FAX 925.473.9124  
 www.cemcosteel.com

**DISCLAIMER:**

CEMCO assumes no liability for failure resulting from the use of it's drawings, or for failure resulting from the use of alternate materials, or improper application or installation. This drawing is supplied solely to assist in the selection and application of CEMCO products. This drawing is generic in nature and should not be used in design or construction without an independent evaluation by a qualified Architect or Engineer of Record.

**CATEGORY:**

**CURTAIN WALL  
 DETAILS**

REV: 0  
 RELEASE: 11/09/2019