

1/2" MAX. GAP BETWEEN  
STEEL STUD FLANGE &  
STRUCTURE

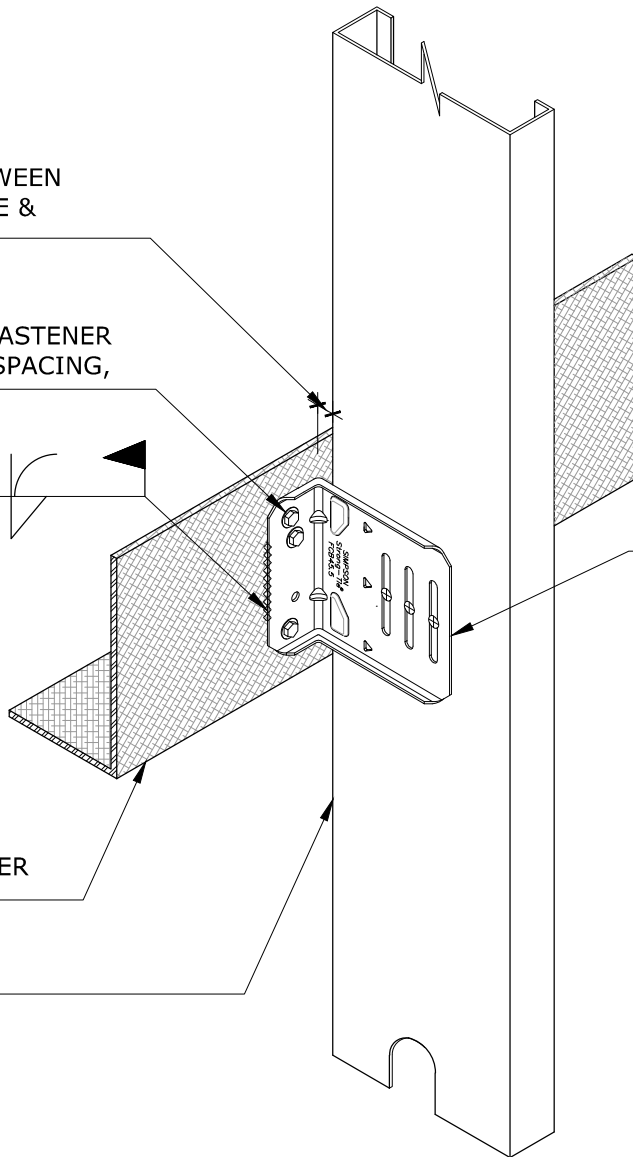
P.D.F.'S ATTACH, (FASTENER  
SIZE, QUANTITY & SPACING,  
BY DESIGN)

ALTERNATE  
CONNECTION  
WELD SIZE  
(BY DESIGN)

SIMPSON CLIP OR  
EQUIVALENT (BY DESIGN)

STRUCTURAL MEMBER  
(BY OTHERS)

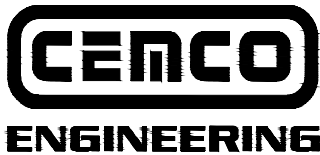
CEMCO STUD



16

**WALL DEFLECTION - VERTICAL SLIDE CLIP**

SCALE: N.T.S.



1001-A PITTSBURG ANTIOCH HWY  
PITTSBURG, CA 94565  
ENG. DEPT. 925.473-9340  
FAX 925.473.9124  
www.cemcosteel.com

**DISCLAIMER:**

CEMCO assumes no liability for failure resulting from the use of it's drawings, or for failure resulting from the use of alternate materials, or improper application or installation. This drawing is supplied solely to assist in the selection and application of CEMCO products. This drawing is generic in nature and should not be used in design or construction without an independent evaluation by a qualified Architect or Engineer of Record.

**CATEGORY:**

**CURTAIN WALL  
DETAILS**

REV: 1  
RELEASE: 11/09/2019