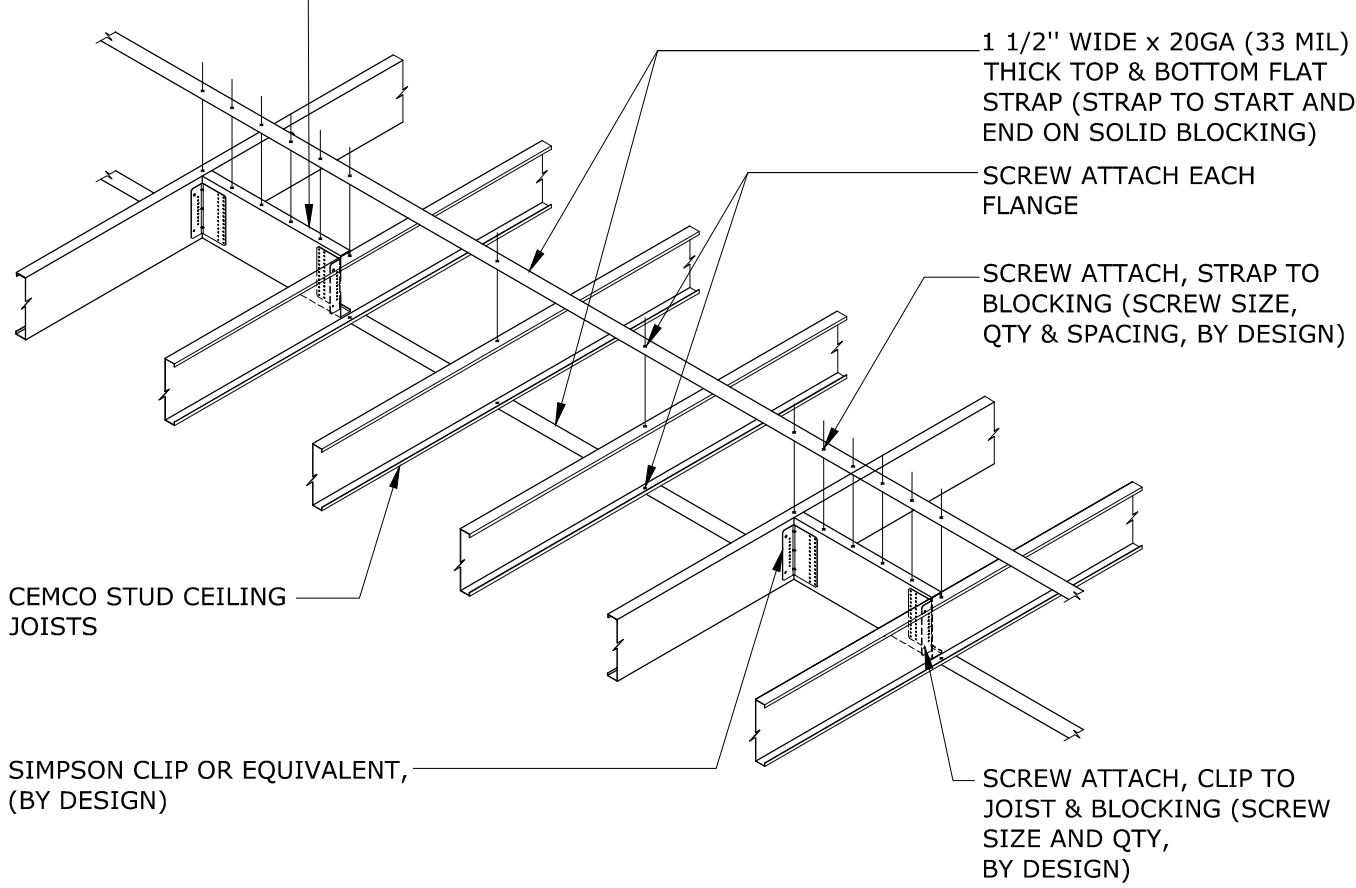
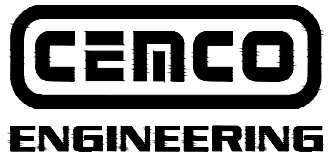


PIECE OF CEMCO STUD OR TRACK BLOCKING MIN 18GA (43 MIL) THICK TO MATCH DEPTH FLOOR JOIST, (INSTALL AT ENDS OF FLOOR SYSTEM, ADJACENT TO OPENINGS AND @ MAX 8'-0" O.C.)



7 CEILING JOIST BRIDGING: DOUBLE STRAP WITH STUD OR TRACK BLOCKING SCALE: N.T.S.



1001-A PITTSBURG ANTIOCH HWY
 PITTSBURG, CA 94565
 ENG. DEPT. 925.473-9340
 FAX 925.473.9124
 www.cemcosteel.com

DISCLAIMER:

CEMCO assumes no liability for failure resulting from the use of it's drawings, or for failure resulting from the use of alternate materials, or improper application or installation. This drawing is supplied solely to assist in the selection and application of CEMCO products. This drawing is generic in nature and should not be used in design or construction without an independent evaluation by a qualified Architect or Engineer of Record.

CATEGORY:

CEILING SUPPORT DETAILS

REV: 1
 RELEASE: 11/09/2019