

CEMCO STUDS

SCREW ATTACH
(SCREW SIZE AND
SPACING BY DESIGN)

ALTERNATE WELDED
CONNECTION (WELD
SIZE BY DESIGN)

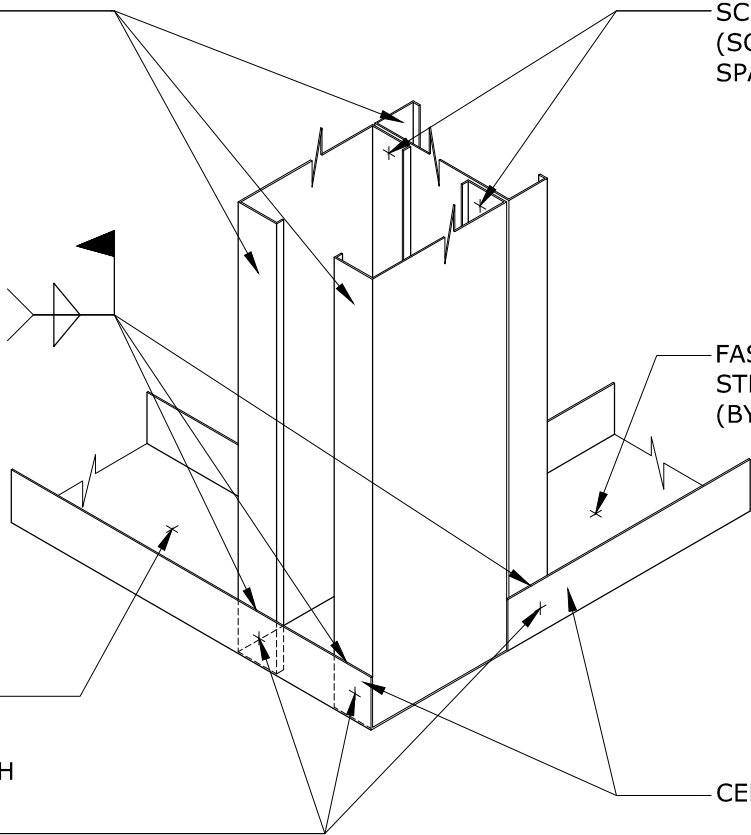
FASTEN TO MAIN
STRUCTURE
(BY DESIGN)

FASTEN TO MAIN
STRUCTURE
(BY DESIGN)

SCREW ATTACH EACH
FLANGE (SCREW
SIZE BY DESIGN)

CEMCO TRACKS

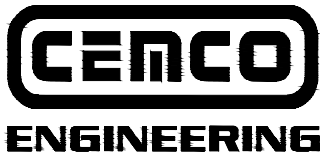
NOTE:
STUD MUST BE SEATED
TIGHT TO TRACK WEB
(MAX. GAP = 1/16")



13

CORNER STUDS - TRACK CONNECTION DETAIL

SCALE: N.T.S.



1001-A PITTSBURG ANTIOCH HWY
PITTSBURG, CA 94565
ENG. DEPT. 925.473-9340
FAX 925.473.9124
www.cemcosteel.com

DISCLAIMER:

CEMCO assumes no liability for failure resulting from the use of it's drawings, or for failure resulting from the use of alternate materials, or improper application or installation. This drawing is supplied solely to assist in the selection and application of CEMCO products. This drawing is generic in nature and should not be used in design or construction without an independent evaluation by a qualified Architect or Engineer of Record.

CATEGORY:

**CEILING
SUPPORT
DETAILS**

REV: 0
RELEASE: 11/09/2019